



Classic LED Lamps



LED classic 60W A60 E27 WW FR ND 1CT/10

Având un design clasic, similar cu al surselor incandescente, LED Frosted Classic oferă lumină atrăgătoare, decorativă, de culoare alb cald, în același timp reducând consumul de energie cu aproximativ 90%. Formele clasice, familiare ale lămpilor clasice mate sunt o potrivire perfectă pentru aparatele de iluminat existente.

Catalog de date

Informații generale	
Baza elementului de fixare	E27
Durată de viață nominală	15.000 ore
Ciclu de comutare	30.000
Durată de viață nominală (ore)	15.000 ore
Lighting Technology	LED
Referință de măsurare a fluxului	Sphere

Date tehnice lumină	
Cod culoare	827 [CCT of 2700K]
Flux luminos	806 lm
Denumirea culorii	Alb cald (WW)
Randament luminos (nominal) (nom.)	115,00 lm/W
Temperatură de culoare corelată (nom.)	2700 K
Consistență culori	<6
Indice de redare a culorilor (IRC)	80
Factorul de menținere a fluxului luminos al lămpii la sfârșitul duratei de viață nominale (nom.)	70 %

Funcționare și sistem electric	
Frecvență linie	50 Hz
Frecvență de intrare	50 Hz

Consum de curent	7 W
Curent lampă (nom.)	60 mA
Timp de pornire (nom.)	0,5 s
Timp de încălzire până la 60% lumină	0,5 s
Factor de putere (fracție)	0,5
Tensiune (nom.)	220-240 V

Temperatură	
Maximum T-case (nom.)	50 °C

Sisteme de comandă și reglarea intensității luminoase	
Cu reglarea intensității luminoase	Nu

Sistem mecanic și carcasă	
Finisaj bec	Mat
Material bec	Sticlă
Formă bec	A60

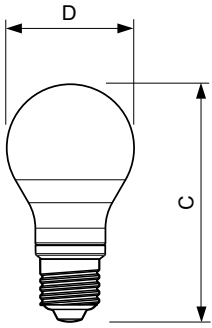
Aprobare și aplicație	
Clasă de eficiență energetică	E
Consum de energie kWh/1000 h	7 kWh
Număr de înregistrare EPREL	1825135
În conformitate cu RoHS	Da

Classic LED Lamps

EyeComfort	Da
Inova ii LED	EyeComfort
Date despre produs	
Nume comandă produs	Bec cu lumină albă, caldă, fixă, 7W (60 W), E27
Numele complet al produsului	LED classic 60W A60 E27 WW FR ND 1CT/10
Full EOC	871869647218701

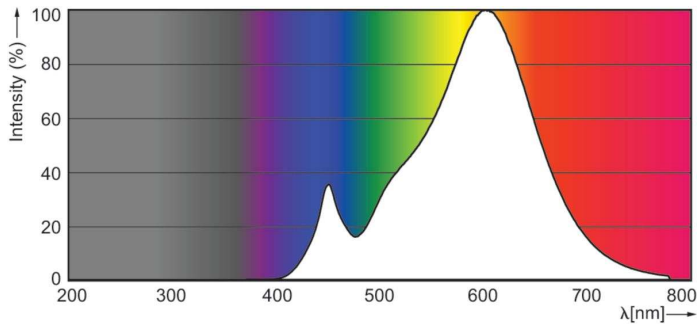
Cod de comandă	47218701
Număr material (12NC)	929001243082
Numărător SAP – Cantitate per pachet	1
Greutate netă (bucată)	0,040 kg
EAN/UPC – Produs/Cutie	8718696472187
Numărător SAP – Pachete per exterior	10
EAN/UPC – Cutie	8718696733820

Cote

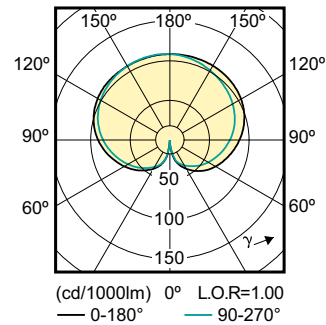


Product	D	C
Bec cu lumină albă, caldă, fixă, 7W (60 W), E27	60 mm	110 mm

Date fotometrice



Spectral Power Distribution Colour – LED classic 60W A60 E27 WW FR ND 1CT/10

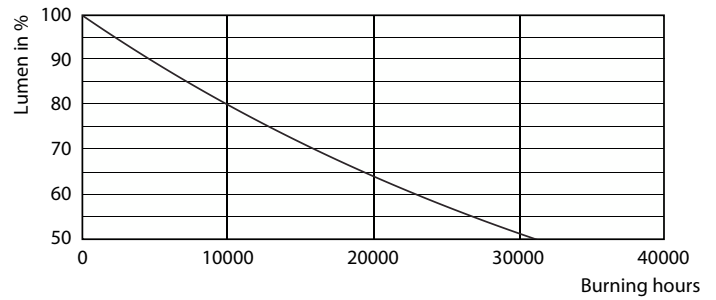
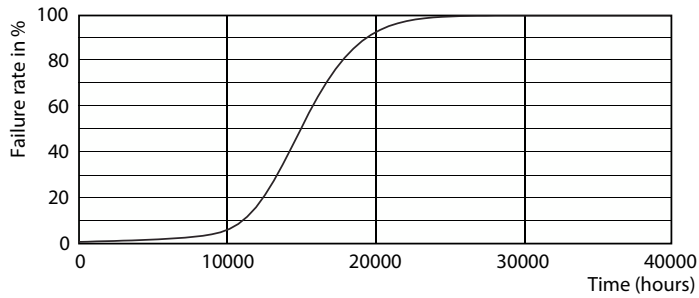


Light Distribution Diagram – LED classic 60W A60 E27 WW FR ND 1CT/10

INCA 60W 1x110mm 230V AC		1 x 860 lm																																																																																																																																																																																																																																																																																																																																																																																																																																																																																																																																																																																																																																																																																																																																																																																																																																																																																																																																																																																																																																																																																																																																																																						
<p>Light intensity diagram</p>	<p>Quantity selection diagram</p>	<p>Utilization factor table</p> <table border="1"> <thead> <tr> <th>Room height (m)</th> <th>Room width (m)</th> <th>Room length (m)</th> <th>Utilization factor</th> </tr> </thead> <tbody> <tr><td>2.5</td><td>2.5</td><td>2.5</td><td>0.40</td></tr> <tr><td>2.5</td><td>2.5</td><td>3.0</td><td>0.45</td></tr> <tr><td>2.5</td><td>2.5</td><td>3.5</td><td>0.50</td></tr> <tr><td>2.5</td><td>2.5</td><td>4.0</td><td>0.55</td></tr> <tr><td>2.5</td><td>2.5</td><td>4.5</td><td>0.60</td></tr> <tr><td>2.5</td><td>2.5</td><td>5.0</td><td>0.65</td></tr> <tr><td>2.5</td><td>2.5</td><td>5.5</td><td>0.70</td></tr> <tr><td>2.5</td><td>2.5</td><td>6.0</td><td>0.75</td></tr> <tr><td>2.5</td><td>2.5</td><td>6.5</td><td>0.80</td></tr> <tr><td>2.5</td><td>2.5</td><td>7.0</td><td>0.85</td></tr> <tr><td>2.5</td><td>2.5</td><td>7.5</td><td>0.90</td></tr> <tr><td>2.5</td><td>2.5</td><td>8.0</td><td>0.95</td></tr> <tr><td>2.5</td><td>2.5</td><td>8.5</td><td>1.00</td></tr> <tr><td>2.5</td><td>2.5</td><td>9.0</td><td>1.00</td></tr> <tr><td>2.5</td><td>2.5</td><td>9.5</td><td>1.00</td></tr> <tr><td>2.5</td><td>2.5</td><td>10.0</td><td>1.00</td></tr> <tr><td>2.5</td><td>2.5</td><td>10.5</td><td>1.00</td></tr> <tr><td>2.5</td><td>2.5</td><td>11.0</td><td>1.00</td></tr> <tr><td>2.5</td><td>2.5</td><td>11.5</td><td>1.00</td></tr> <tr><td>2.5</td><td>2.5</td><td>12.0</td><td>1.00</td></tr> <tr><td>2.5</td><td>2.5</td><td>12.5</td><td>1.00</td></tr> <tr><td>2.5</td><td>2.5</td><td>13.0</td><td>1.00</td></tr> <tr><td>2.5</td><td>2.5</td><td>13.5</td><td>1.00</td></tr> <tr><td>2.5</td><td>2.5</td><td>14.0</td><td>1.00</td></tr> <tr><td>2.5</td><td>2.5</td><td>14.5</td><td>1.00</td></tr> <tr><td>2.5</td><td>2.5</td><td>15.0</td><td>1.00</td></tr> <tr><td>2.5</td><td>2.5</td><td>15.5</td><td>1.00</td></tr> <tr><td>2.5</td><td>2.5</td><td>16.0</td><td>1.00</td></tr> <tr><td>2.5</td><td>2.5</td><td>16.5</td><td>1.00</td></tr> <tr><td>2.5</td><td>2.5</td><td>17.0</td><td>1.00</td></tr> <tr><td>2.5</td><td>2.5</td><td>17.5</td><td>1.00</td></tr> <tr><td>2.5</td><td>2.5</td><td>18.0</td><td>1.00</td></tr> <tr><td>2.5</td><td>2.5</td><td>18.5</td><td>1.00</td></tr> <tr><td>2.5</td><td>2.5</td><td>19.0</td><td>1.00</td></tr> <tr><td>2.5</td><td>2.5</td><td>19.5</td><td>1.00</td></tr> <tr><td>2.5</td><td>2.5</td><td>20.0</td><td>1.00</td></tr> <tr><td>2.5</td><td>2.5</td><td>20.5</td><td>1.00</td></tr> <tr><td>2.5</td><td>2.5</td><td>21.0</td><td>1.00</td></tr> <tr><td>2.5</td><td>2.5</td><td>21.5</td><td>1.00</td></tr> <tr><td>2.5</td><td>2.5</td><td>22.0</td><td>1.00</td></tr> <tr><td>2.5</td><td>2.5</td><td>22.5</td><td>1.00</td></tr> <tr><td>2.5</td><td>2.5</td><td>23.0</td><td>1.00</td></tr> <tr><td>2.5</td><td>2.5</td><td>23.5</td><td>1.00</td></tr> <tr><td>2.5</td><td>2.5</td><td>24.0</td><td>1.00</td></tr> <tr><td>2.5</td><td>2.5</td><td>24.5</td><td>1.00</td></tr> <tr><td>2.5</td><td>2.5</td><td>25.0</td><td>1.00</td></tr> <tr><td>2.5</td><td>2.5</td><td>25.5</td><td>1.00</td></tr> <tr><td>2.5</td><td>2.5</td><td>26.0</td><td>1.00</td></tr> <tr><td>2.5</td><td>2.5</td><td>26.5</td><td>1.00</td></tr> <tr><td>2.5</td><td>2.5</td><td>27.0</td><td>1.00</td></tr> <tr><td>2.5</td><td>2.5</td><td>27.5</td><td>1.00</td></tr> <tr><td>2.5</td><td>2.5</td><td>28.0</td><td>1.00</td></tr> <tr><td>2.5</td><td>2.5</td><td>28.5</td><td>1.00</td></tr> <tr><td>2.5</td><td>2.5</td><td>29.0</td><td>1.00</td></tr> <tr><td>2.5</td><td>2.5</td><td>29.5</td><td>1.00</td></tr> <tr><td>2.5</td><td>2.5</td><td>30.0</td><td>1.00</td></tr> <tr><td>2.5</td><td>2.5</td><td>30.5</td><td>1.00</td></tr> <tr><td>2.5</td><td>2.5</td><td>31.0</td><td>1.00</td></tr> <tr><td>2.5</td><td>2.5</td><td>31.5</td><td>1.00</td></tr> <tr><td>2.5</td><td>2.5</td><td>32.0</td><td>1.00</td></tr> <tr><td>2.5</td><td>2.5</td><td>32.5</td><td>1.00</td></tr> <tr><td>2.5</td><td>2.5</td><td>33.0</td><td>1.00</td></tr> <tr><td>2.5</td><td>2.5</td><td>33.5</td><td>1.00</td></tr> <tr><td>2.5</td><td>2.5</td><td>34.0</td><td>1.00</td></tr> <tr><td>2.5</td><td>2.5</td><td>34.5</td><td>1.00</td></tr> <tr><td>2.5</td><td>2.5</td><td>35.0</td><td>1.00</td></tr> <tr><td>2.5</td><td>2.5</td><td>35.5</td><td>1.00</td></tr> <tr><td>2.5</td><td>2.5</td><td>36.0</td><td>1.00</td></tr> <tr><td>2.5</td><td>2.5</td><td>36.5</td><td>1.00</td></tr> <tr><td>2.5</td><td>2.5</td><td>37.0</td><td>1.00</td></tr> <tr><td>2.5</td><td>2.5</td><td>37.5</td><td>1.00</td></tr> <tr><td>2.5</td><td>2.5</td><td>38.0</td><td>1.00</td></tr> <tr><td>2.5</td><td>2.5</td><td>38.5</td><td>1.00</td></tr> <tr><td>2.5</td><td>2.5</td><td>39.0</td><td>1.00</td></tr> <tr><td>2.5</td><td>2.5</td><td>39.5</td><td>1.00</td></tr> <tr><td>2.5</td><td>2.5</td><td>40.0</td><td>1.00</td></tr> <tr><td>2.5</td><td>2.5</td><td>40.5</td><td>1.00</td></tr> <tr><td>2.5</td><td>2.5</td><td>41.0</td><td>1.00</td></tr> <tr><td>2.5</td><td>2.5</td><td>41.5</td><td>1.00</td></tr> <tr><td>2.5</td><td>2.5</td><td>42.0</td><td>1.00</td></tr> <tr><td>2.5</td><td>2.5</td><td>42.5</td><td>1.00</td></tr> <tr><td>2.5</td><td>2.5</td><td>43.0</td><td>1.00</td></tr> <tr><td>2.5</td><td>2.5</td><td>43.5</td><td>1.00</td></tr> <tr><td>2.5</td><td>2.5</td><td>44.0</td><td>1.00</td></tr> <tr><td>2.5</td><td>2.5</td><td>44.5</td><td>1.00</td></tr> <tr><td>2.5</td><td>2.5</td><td>45.0</td><td>1.00</td></tr> <tr><td>2.5</td><td>2.5</td><td>45.5</td><td>1.00</td></tr> <tr><td>2.5</td><td>2.5</td><td>46.0</td><td>1.00</td></tr> <tr><td>2.5</td><td>2.5</td><td>46.5</td><td>1.00</td></tr> <tr><td>2.5</td><td>2.5</td><td>47.0</td><td>1.00</td></tr> <tr><td>2.5</td><td>2.5</td><td>47.5</td><td>1.00</td></tr> <tr><td>2.5</td><td>2.5</td><td>48.0</td><td>1.00</td></tr> <tr><td>2.5</td><td>2.5</td><td>48.5</td><td>1.00</td></tr> <tr><td>2.5</td><td>2.5</td><td>49.0</td><td>1.00</td></tr> <tr><td>2.5</td><td>2.5</td><td>49.5</td><td>1.00</td></tr> <tr><td>2.5</td><td>2.5</td><td>50.0</td><td>1.00</td></tr> <tr><td>2.5</td><td>2.5</td><td>50.5</td><td>1.00</td></tr> <tr><td>2.5</td><td>2.5</td><td>51.0</td><td>1.00</td></tr> <tr><td>2.5</td><td>2.5</td><td>51.5</td><td>1.00</td></tr> <tr><td>2.5</td><td>2.5</td><td>52.0</td><td>1.00</td></tr> <tr><td>2.5</td><td>2.5</td><td>52.5</td><td>1.00</td></tr> <tr><td>2.5</td><td>2.5</td><td>53.0</td><td>1.00</td></tr> <tr><td>2.5</td><td>2.5</td><td>53.5</td><td>1.00</td></tr> <tr><td>2.5</td><td>2.5</td><td>54.0</td><td>1.00</td></tr> <tr><td>2.5</td><td>2.5</td><td>54.5</td><td>1.00</td></tr> <tr><td>2.5</td><td>2.5</td><td>55.0</td><td>1.00</td></tr> <tr><td>2.5</td><td>2.5</td><td>55.5</td><td>1.00</td></tr> <tr><td>2.5</td><td>2.5</td><td>56.0</td><td>1.00</td></tr> <tr><td>2.5</td><td>2.5</td><td>56.5</td><td>1.00</td></tr> <tr><td>2.5</td><td>2.5</td><td>57.0</td><td>1.00</td></tr> <tr><td>2.5</td><td>2.5</td><td>57.5</td><td>1.00</td></tr> <tr><td>2.5</td><td>2.5</td><td>58.0</td><td>1.00</td></tr> <tr><td>2.5</td><td>2.5</td><td>58.5</td><td>1.00</td></tr> <tr><td>2.5</td><td>2.5</td><td>59.0</td><td>1.00</td></tr> <tr><td>2.5</td><td>2.5</td><td>59.5</td><td>1.00</td></tr> <tr><td>2.5</td><td>2.5</td><td>60.0</td><td>1.00</td></tr> <tr><td>2.5</td><td>2.5</td><td>60.5</td><td>1.00</td></tr> <tr><td>2.5</td><td>2.5</td><td>61.0</td><td>1.00</td></tr> <tr><td>2.5</td><td>2.5</td><td>61.5</td><td>1.00</td></tr> <tr><td>2.5</td><td>2.5</td><td>62.0</td><td>1.00</td></tr> <tr><td>2.5</td><td>2.5</td><td>62.5</td><td>1.00</td></tr> <tr><td>2.5</td><td>2.5</td><td>63.0</td><td>1.00</td></tr> <tr><td>2.5</td><td>2.5</td><td>63.5</td><td>1.00</td></tr> <tr><td>2.5</td><td>2.5</td><td>64.0</td><td>1.00</td></tr> <tr><td>2.5</td><td>2.5</td><td>64.5</td><td>1.00</td></tr> <tr><td>2.5</td><td>2.5</td><td>65.0</td><td>1.00</td></tr> <tr><td>2.5</td><td>2.5</td><td>65.5</td><td>1.00</td></tr> <tr><td>2.5</td><td>2.5</td><td>66.0</td><td>1.00</td></tr> <tr><td>2.5</td><td>2.5</td><td>66.5</td><td>1.00</td></tr> <tr><td>2.5</td><td>2.5</td><td>67.0</td><td>1.00</td></tr> <tr><td>2.5</td><td>2.5</td><td>67.5</td><td>1.00</td></tr> <tr><td>2.5</td><td>2.5</td><td>68.0</td><td>1.00</td></tr> <tr><td>2.5</td><td>2.5</td><td>68.5</td><td>1.00</td></tr> <tr><td>2.5</td><td>2.5</td><td>69.0</td><td>1.00</td></tr> <tr><td>2.5</td><td>2.5</td><td>69.5</td><td>1.00</td></tr> <tr><td>2.5</td><td>2.5</td><td>70.0</td><td>1.00</td></tr> <tr><td>2.5</td><td>2.5</td><td>70.5</td><td>1.00</td></tr> <tr><td>2.5</td><td>2.5</td><td>71.0</td><td>1.00</td></tr> <tr><td>2.5</td><td>2.5</td><td>71.5</td><td>1.00</td></tr> <tr><td>2.5</td><td>2.5</td><td>72.0</td><td>1.00</td></tr> <tr><td>2.5</td><td>2.5</td><td>72.5</td><td>1.00</td></tr> <tr><td>2.5</td><td>2.5</td><td>73.0</td><td>1.00</td></tr> <tr><td>2.5</td><td>2.5</td><td>73.5</td><td>1.00</td></tr> <tr><td>2.5</td><td>2.5</td><td>74.0</td><td>1.00</td></tr> <tr><td>2.5</td><td>2.5</td><td>74.5</td><td>1.00</td></tr> <tr><td>2.5</td><td>2.5</td><td>75.0</td><td>1.00</td></tr> <tr><td>2.5</td><td>2.5</td><td>75.5</td><td>1.00</td></tr> <tr><td>2.5</td><td>2.5</td><td>76.0</td><td>1.00</td></tr> <tr><td>2.5</td><td>2.5</td><td>76.5</td><td>1.00</td></tr> <tr><td>2.5</td><td>2.5</td><td>77.0</td><td>1.00</td></tr> <tr><td>2.5</td><td>2.5</td><td>77.5</td><td>1.00</td></tr> <tr><td>2.5</td><td>2.5</td><td>78.0</td><td>1.00</td></tr> <tr><td>2.5</td><td>2.5</td><td>78.5</td><td>1.00</td></tr> <tr><td>2.5</td><td>2.5</td><td>79.0</td><td>1.00</td></tr> <tr><td>2.5</td><td>2.5</td><td>79.5</td><td>1.00</td></tr> <tr><td>2.5</td><td>2.5</td><td>80.0</td><td>1.00</td></tr> <tr><td>2.5</td><td>2.5</td><td>80.5</td><td>1.00</td></tr> <tr><td>2.5</td><td>2.5</td><td>81.0</td><td>1.00</td></tr> <tr><td>2.5</td><td>2.5</td><td>81.5</td><td>1.00</td></tr> <tr><td>2.5</td><td>2.5</td><td>82.0</td><td>1.00</td></tr> <tr><td>2.5</td><td>2.5</td><td>82.5</td><td>1.00</td></tr> <tr><td>2.5</td><td>2.5</td><td>83.0</td><td>1.00</td></tr> <tr><td>2.5</td><td>2.5</td><td>83.5</td><td>1.00</td></tr> <tr><td>2.5</td><td>2.5</td><td>84.0</td><td>1.00</td></tr> <tr><td>2.5</td><td>2.5</td><td>84.5</td><td>1.00</td></tr> <tr><td>2.5</td><td>2.5</td><td>85.0</td><td>1.00</td></tr> <tr><td>2.5</td><td>2.5</td><td>85.5</td><td>1.00</td></tr> <tr><td>2.5</td><td>2.5</td><td>86.0</td><td>1.00</td></tr> <tr><td>2.5</td><td>2.5</td><td>86.5</td><td>1.00</td></tr> <tr><td>2.5</td><td>2.5</td><td>87.0</td><td>1.00</td></tr> <tr><td>2.5</td><td>2.5</td><td>87.5</td><td>1.00</td></tr> <tr><td>2.5</td><td>2.5</td><td>88.0</td><td>1.00</td></tr> <tr><td>2.5</td><td>2.5</td><td>88.5</td><td>1.00</td></tr> <tr><td>2.5</td><td>2.5</td><td>89.0</td><td>1.00</td></tr> <tr><td>2.5</td><td>2.5</td><td>89.5</td><td>1.00</td></tr> <tr><td>2.5</td><td>2.5</td><td>90.0</td><td>1.00</td></tr> <tr><td>2.5</td><td>2.5</td><td>90.5</td><td>1.00</td></tr> <tr><td>2.5</td><td>2.5</td><td>91.0</td><td>1.00</td></tr> <tr><td>2.5</td><td>2.5</td><td>91.5</td><td>1.00</td></tr> <tr><td>2.5</td><td>2.5</td><td>92.0</td><td>1.00</td></tr> <tr><td>2.5</td><td>2.5</td><td>92.5</td><td>1.00</td></tr> <tr><td>2.5</td><td>2.5</td><td>93.0</td><td>1.00</td></tr> <tr><td>2.5</td><td>2.5</td><td>93.5</td><td>1.00</td></tr> <tr><td>2.5</td><td>2.5</td><td>94.0</td><td>1.00</td></tr> <tr><td>2.5</td><td>2.5</td><td>94.5</td><td>1.00</td></tr> <tr><td>2.5</td><td>2.5</td><td>95.0</td><td>1.00</td></tr> <tr><td>2.5</td><td>2.5</td><td>95.5</td><td>1.00</td></tr> <tr><td>2.5</td><td>2.5</td><td>96.0</td><td>1.00</td></tr> <tr><td>2.5</td><td>2.5</td><td>96.5</td><td>1.00</td></tr> <tr><td>2.5</td><td>2.5</td><td>97.0</td><td>1.00</td></tr> <tr><td>2.5</td><td>2.5</td><td>97.5</td><td>1.00</td></tr> <tr><td>2.5</td><td>2.5</td><td>98.0</td><td>1.00</td></tr> <tr><td>2.5</td><td>2.5</td><td>98.5</td><td>1.00</td></tr> <tr><td>2.5</td><td>2.5</td><td>99.0</td><td>1.00</td></tr> <tr><td>2.5</td><td>2.5</td><td>99.5</td><td>1.00</td></tr> <tr><td>2.5</td><td>2.5</td><td>100.0</td><td>1.00</td></tr> </tbody> </table>	Room height (m)	Room width (m)	Room length (m)	Utilization factor	2.5	2.5	2.5	0.40	2.5	2.5	3.0	0.45	2.5	2.5	3.5	0.50	2.5	2.5	4.0	0.55	2.5	2.5	4.5	0.60	2.5	2.5	5.0	0.65	2.5	2.5	5.5	0.70	2.5	2.5	6.0	0.75	2.5	2.5	6.5	0.80	2.5	2.5	7.0	0.85	2.5	2.5	7.5	0.90	2.5	2.5	8.0	0.95	2.5	2.5	8.5	1.00	2.5	2.5	9.0	1.00	2.5	2.5	9.5	1.00	2.5	2.5	10.0	1.00	2.5	2.5	10.5	1.00	2.5	2.5	11.0	1.00	2.5	2.5	11.5	1.00	2.5	2.5	12.0	1.00	2.5	2.5	12.5	1.00	2.5	2.5	13.0	1.00	2.5	2.5	13.5	1.00	2.5	2.5	14.0	1.00	2.5	2.5	14.5	1.00	2.5	2.5	15.0	1.00	2.5	2.5	15.5	1.00	2.5	2.5	16.0	1.00	2.5	2.5	16.5	1.00	2.5	2.5	17.0	1.00	2.5	2.5	17.5	1.00	2.5	2.5	18.0	1.00	2.5	2.5	18.5	1.00	2.5	2.5	19.0	1.00	2.5	2.5	19.5	1.00	2.5	2.5	20.0	1.00	2.5	2.5	20.5	1.00	2.5	2.5	21.0	1.00	2.5	2.5	21.5	1.00	2.5	2.5	22.0	1.00	2.5	2.5	22.5	1.00	2.5	2.5	23.0	1.00	2.5	2.5	23.5	1.00	2.5	2.5	24.0	1.00	2.5	2.5	24.5	1.00	2.5	2.5	25.0	1.00	2.5	2.5	25.5	1.00	2.5	2.5	26.0	1.00	2.5	2.5	26.5	1.00	2.5	2.5	27.0	1.00	2.5	2.5	27.5	1.00	2.5	2.5	28.0	1.00	2.5	2.5	28.5	1.00	2.5	2.5	29.0	1.00	2.5	2.5	29.5	1.00	2.5	2.5	30.0	1.00	2.5	2.5	30.5	1.00	2.5	2.5	31.0	1.00	2.5	2.5	31.5	1.00	2.5	2.5	32.0	1.00	2.5	2.5	32.5	1.00	2.5	2.5	33.0	1.00	2.5	2.5	33.5	1.00	2.5	2.5	34.0	1.00	2.5	2.5	34.5	1.00	2.5	2.5	35.0	1.00	2.5	2.5	35.5	1.00	2.5	2.5	36.0	1.00	2.5	2.5	36.5	1.00	2.5	2.5	37.0	1.00	2.5	2.5	37.5	1.00	2.5	2.5	38.0	1.00	2.5	2.5	38.5	1.00	2.5	2.5	39.0	1.00	2.5	2.5	39.5	1.00	2.5	2.5	40.0	1.00	2.5	2.5	40.5	1.00	2.5	2.5	41.0	1.00	2.5	2.5	41.5	1.00	2.5	2.5	42.0	1.00	2.5	2.5	42.5	1.00	2.5	2.5	43.0	1.00	2.5	2.5	43.5	1.00	2.5	2.5	44.0	1.00	2.5	2.5	44.5	1.00	2.5	2.5	45.0	1.00	2.5	2.5	45.5	1.00	2.5	2.5	46.0	1.00	2.5	2.5	46.5	1.00	2.5	2.5	47.0	1.00	2.5	2.5	47.5	1.00	2.5	2.5	48.0	1.00	2.5	2.5	48.5	1.00	2.5	2.5	49.0	1.00	2.5	2.5	49.5	1.00	2.5	2.5	50.0	1.00	2.5	2.5	50.5	1.00	2.5	2.5	51.0	1.00	2.5	2.5	51.5	1.00	2.5	2.5	52.0	1.00	2.5	2.5	52.5	1.00	2.5	2.5	53.0	1.00	2.5	2.5	53.5	1.00	2.5	2.5	54.0	1.00	2.5	2.5	54.5	1.00	2.5	2.5	55.0	1.00	2.5	2.5	55.5	1.00	2.5	2.5	56.0	1.00	2.5	2.5	56.5	1.00	2.5	2.5	57.0	1.00	2.5	2.5	57.5	1.00	2.5	2.5	58.0	1.00	2.5	2.5	58.5	1.00	2.5	2.5	59.0	1.00	2.5	2.5	59.5	1.00	2.5	2.5	60.0	1.00	2.5	2.5	60.5	1.00	2.5	2.5	61.0	1.00	2.5	2.5	61.5	1.00	2.5	2.5	62.0	1.00	2.5	2.5	62.5	1.00	2.5	2.5	63.0	1.00	2.5	2.5	63.5	1.00	2.5	2.5	64.0	1.00	2.5	2.5	64.5	1.00	2.5	2.5	65.0	1.00	2.5	2.5	65.5	1.00	2.5	2.5	66.0	1.00	2.5	2.5	66.5	1.00	2.5	2.5	67.0	1.00	2.5	2.5	67.5	1.00	2.5	2.5	68.0	1.00	2.5	2.5	68.5	1.00	2.5	2.5	69.0	1.00	2.5	2.5	69.5	1.00	2.5	2.5	70.0	1.00	2.5	2.5	70.5	1.00	2.5	2.5	71.0	1.00	2.5	2.5	71.5	1.00	2.5	2.5	72.0	1.00	2.5	2.5	72.5	1.00	2.5	2.5	73.0	1.00	2.5	2.5	73.5	1.00	2.5	2.5	74.0	1.00	2.5	2.5	74.5	1.00	2.5	2.5	75.0	1.00	2.5	2.5	75.5	1.00	2.5	2.5	76.0	1.00	2.5	2.5	76.5	1.00	2.5	2.5	77.0	1.00	2.5	2.5	77.5	1.00	2.5	2.5	78.0	1.00	2.5	2.5	78.5	1.00	2.5	2.5	79.0	1.00	2.5	2.5	79.5	1.00	2.5	2.5	80.0	1.00	2.5	2.5	80.5	1.00	2.5	2.5	81.0	1.00	2.5	2.5	81.5	1.00	2.5	2.5	82.0	1.00	2.5	2.5	82.5	1.00	2.5	2.5	83.0	1.00	2.5	2.5	83.5	1.00	2.5	2.5	84.0	1.00	2.5	2.5	84.5	1.00	2.5	2.5	85.0	1.00	2.5	2.5	85.5	1.00	2.5	2.5	86.0	1.00	2.5	2.5	86.5	1.00	2.5	2.5	87.0	1.00	2.5	2.5	87.5	1.00	2.5	2.5	88.0	1.00	2.5	2.5	88.5	1.00	2.5	2.5	89.0	1.00	2.5	2.5	89.5	1.00	2.5	2.5	90.0	1.00	2.5	2.5	90.5	1.00	2.5	2.5	91.0	1.00	2.5	2.5	91.5	1.00	2.5	2.5	92.0	1.00	2.5	2.5	92.5	1.00	2.5	2.5	93.0	1.00	2.5	2.5	93.5	1.00	2.5	2.5	94.0	1.00	2.5	2.5	94.5	1.00	2.5	2.5	95.0	1.00	2.5	2.5	95.5	1.00	2.5	2.5	96.0	1.00	2.5	2.5	96.5	1.00	2.5	2.5	97.0	1.00	2.5	2.5	97.5	1.00	2.5	2.5	98.0	1.00	2.5	2.5	98.5	1.00	2.5	2.5	99.0	1.00	2.5	2.5	99.5	1.00	2.5	2.5	100.0	1.00	<p>Luminance Table</p> <table border="1"> <thead> <tr> <th>Room height (m)</th> <th>Room width (m)</th> <th>Room length (m)</th> <th>Luminance (cd/m²)</th> </tr> </thead> <tbody> <tr><td>2.5</td><td>2.5</td><td>2.5</td><td>100</td></tr> <tr><td>2.5</td><td>2.5</td><td>3.0</td><td>110</td></tr> <tr><td>2.5</td><td>2.5</td><td>3.5</td><td>120</td></tr> <tr><td>2.5</td><td>2.5</td><td>4.0</td><td>130</td></tr> <tr><td>2.5</td><td>2.5</td><td>4.5</td><td>140</td></tr> <tr><td>2.5</td><td>2.5</td><td>5.0</td><td>150</td></tr> <tr><td>2.5</td><td>2.5</td><td>5.5</td><td>160</td></tr> <tr><td>2.5</td><td>2.5</td><td>6.0</td><td>170</td></tr> <tr><td>2.5</td><td>2.5</td><td>6.5</td><td>180</td></tr> <tr><td>2.5</td><td>2.5</td><td>7.0</td><td>190</td></tr> <tr><td>2.5</td><td>2.5</td><td>7.5</td><td>200</td></tr> <tr><td>2.5</td><td>2.5</td><td>8.0</td><td>210</td></tr> <tr><td>2.5</td><td>2.5</td><td>8.5</td><td>220</td></tr> <tr><td>2.5</td><td>2.5</td><td>9.0</td><td>230</td></tr> <tr><td>2.5</td><td>2.5</td><td>9.5</td><td>240</td></tr> <tr><td>2.5</td><td>2.5</td><td>10.0</td><td>250</td></tr> <tr><td>2.5</td><td>2.5</td><td>10.5</td><td>260</td></tr> <tr><td>2.5</td><td>2.5</td><td>11.0</td><td>270</td></tr> <tr><td>2.5</td><td>2.5</td><td>11.5</td><td>280</td></tr> <tr><td>2.5</td><td>2.5</td><td>12.0</td><td>290</td></tr> <tr><td>2.5</td><td>2.5</td><td>12.5</td><td>300</td></tr> <tr><td>2.5</td><td>2.5</td><td>13.0</td><td>310</td></tr> <tr><td>2.5</td><td>2.5</td><td>13.5</td><td>320</td></tr> <tr><td>2.5</td><td>2.5</td><td>14.0</td><td>330</td></tr> <tr><td>2.5</td><td>2.5</td><td>14.5</td><td>340</td></tr> <tr><td>2.5</td><td>2.5</td><td>15.0</td><td>350</td></tr> <tr><td>2.5</td><td>2.5</td><td>15.5</td><td>360</td></tr> <tr><td>2.5</td><td>2.5</td><td>16.0</td><td>370</td></tr> <tr><td>2.5</td><td>2.5</td><td>16.5</td><td>380</td></tr> <tr><td>2.5</td><td>2.5</td><td>17.0</td><td>390</td></tr> <tr><td>2.5</td><td>2.5</td><td>17.5</td><td>400</td></tr> <tr><td>2.5</td><td>2.5</td><td>18.0</td><td>410</td></tr> <tr><td>2.5</td><td>2.5</td><td>18.5</td><td>420</td></tr> <tr><td>2.5</td><td>2.5</td><td>19.0</td><td>430</td></tr> <tr><td>2.5</td><td>2.5</td><td>19.5</td><td>440</td></tr> <tr><td>2.5</td><td>2.5</td><td>20.0</td><td>450</td></tr> <tr><td>2.5</td><td>2.5</td><td>20.5</td><td>460</td></tr> <tr><td>2.5</td><td>2.5</td><td>21.0</td><td>470</td></tr> <tr><td>2.5</td><td>2.5</td><td>21.5</td><td>480</td></tr> <tr><td>2.5</td><td>2.5</td><td>22.0</td><td>490</td></tr> <tr><td>2.5</td><td>2.5</td><td>22.5</td><td>500</td></tr> <tr><td>2.5</td><td>2.5</td><td>23.0</td><td>510</td></tr> <tr><td>2.5</td><td>2.5</td><td>23.5</td><td>520</td></tr> <tr><td>2.5</td><td>2.5</td><td>24.0</td><td>530</td></tr> <tr><td>2.5</td><td>2.5</td><td>24.5</td><td>540</td></tr> <tr><td>2.5</td><td>2.5</td><td>25.0</td><td>550</td></tr> <tr><td>2.5</td><td>2.5</td><td>25.5</td><td>560</td></tr> <tr><td>2.5</td><td>2.5</td><td>26.0</td><td>570</td></tr> <tr><td>2.5</td><td>2.5</td><td>26.5</td><td>580</td></tr> <tr><td>2.5</td><td>2.5</td><td>27.0</td><td>590</td></tr> <tr><td>2.5</td><td>2.5</td><td>27.5</td><td>600</td></tr> <tr><td>2.5</td><td>2.5</td><td>28.0</td><td>610</td></tr> <tr><td>2.5</td><td>2.5</td><td>28.5</td><td>620</td></tr> <tr><td>2.5</td><td>2.5</td><td>29.0</td><td>630</td></tr> <tr><td>2.5</td><td>2.5</td><td>29.5</td><td>640</td></tr> <tr><td>2.5</td><td>2.5</td><td>30.0</td><td>650</td></tr> <tr><td>2.5</td><td>2.5</td><td>30.5</td><td>660</td></tr> <tr><td>2.5</td><td>2.5</td><td>31.0</td><td>670</td></tr> <tr><td>2.5</td><td>2.5</td><td>31.5</td><td>680</td></tr> <tr><td>2.5</td><td>2.5</td><td>32.0</td><td>690</td></tr> <tr><td>2.5</td><td>2.5</td><td>32.5</td><td>700</td></tr> <tr><td>2.5</td><td>2.5</td><td>33.0</td><td>710</td></tr> <tr><td>2.5</td><td>2.5</td><td>33.5</td><td>720</td></tr> <tr><td>2.5</td><td>2.5</td><td>34.0</td><td>730</td></tr> <tr><td>2.5</td><td>2.5</td><td>34.5</td><td>740</td></tr> <tr><td>2.5</td><td>2.5</td><td>35.0</td><td>750</td></tr> <tr><td>2.5</td><td>2.5</td><td>35.5</td><td>760</td></tr> <tr><td>2.5</td><td>2.5</td><td>36.0</td><td>770</td></tr> <tr><td>2.5</td><td>2.5</td><td>36.5</td><td>780</td></tr> <tr><td>2.5</td><td>2.5</td><td>37.0</td><td>790</td></tr> <tr><td>2.5</td><td>2.5</td><td>37.5</td><td>800</td></tr> <tr><td>2.5</td><td>2.5</td><td>38.0</td><td>810</td></tr> <tr><td>2.5</td><td>2.5</td><td>38.5</td><td>820</td></tr> <tr><td>2.5</td><td>2.5</td><td>39.0</td><td>830</td></tr> <tr><td>2.5</td><td>2.5</td><td>39.5</td><td>840</td></tr> <tr><td>2.5</td><td>2.5</td><td>40.0</td><td>850</td></tr> <tr><td>2.5</td><td>2.5</td><td>40.5</td><td>860</td></tr> <tr><td>2.5</td><td>2.5</td><td>41.0</td><td>870</td></tr> <tr><td>2.5</td><td>2.5</td><td>41.5</td><td>880</td></tr> <tr><td>2.5</td><td>2.5</td><td>42.0</td><td>890</td></tr> <tr><td>2.5</td><td>2.5</td><td>42.5</td><td>900</td></tr> <tr><td>2.5</td><td>2.5</td><td>43.0</td><td>910</td></tr> <tr><td>2.5</td><td>2.5</td><td>43.5</td><td>920</td></tr> <tr><td>2.5</</td></tr></tbody></table>	Room height (m)	Room width (m)	Room length (m)	Luminance (cd/m²)	2.5	2.5	2.5	100	2.5	2.5	3.0	110	2.5	2.5	3.5	120	2.5	2.5	4.0	130	2.5	2.5	4.5	140	2.5	2.5	5.0	150	2.5	2.5	5.5	160	2.5	2.5	6.0	170	2.5	2.5	6.5	180	2.5	2.5	7.0	190	2.5	2.5	7.5	200	2.5	2.5	8.0	210	2.5	2.5	8.5	220	2.5	2.5	9.0	230	2.5	2.5	9.5	240	2.5	2.5	10.0	250	2.5	2.5	10.5	260	2.5	2.5	11.0	270	2.5	2.5	11.5	280	2.5	2.5	12.0	290	2.5	2.5	12.5	300	2.5	2.5	13.0	310	2.5	2.5	13.5	320	2.5	2.5	14.0	330	2.5	2.5	14.5	340	2.5	2.5	15.0	350	2.5	2.5	15.5	360	2.5	2.5	16.0	370	2.5	2.5	16.5	380	2.5	2.5	17.0	390	2.5	2.5	17.5	400	2.5	2.5	18.0	410	2.5	2.5	18.5	420	2.5	2.5	19.0	430	2.5	2.5	19.5	440	2.5	2.5	20.0	450	2.5	2.5	20.5	460	2.5	2.5	21.0	470	2.5	2.5	21.5	480	2.5	2.5	22.0	490	2.5	2.5	22.5	500	2.5	2.5	23.0	510	2.5	2.5	23.5	520	2.5	2.5	24.0	530	2.5	2.5	24.5	540	2.5	2.5	25.0	550	2.5	2.5	25.5	560	2.5	2.5	26.0	570	2.5	2.5	26.5	580	2.5	2.5	27.0	590	2.5	2.5	27.5	600	2.5	2.5	28.0	610	2.5	2.5	28.5	620	2.5	2.5	29.0	630	2.5	2.5	29.5	640	2.5	2.5	30.0	650	2.5	2.5	30.5	660	2.5	2.5	31.0	670	2.5	2.5	31.5	680	2.5	2.5	32.0	690	2.5	2.5	32.5	700	2.5	2.5	33.0	710	2.5	2.5	33.5	720	2.5	2.5	34.0	730	2.5	2.5	34.5	740	2.5	2.5	35.0	750	2.5	2.5	35.5	760	2.5	2.5	36.0	770	2.5	2.5	36.5	780	2.5	2.5	37.0	790	2.5	2.5	37.5	800	2.5	2.5	38.0	810	2.5	2.5	38.5	820	2.5	2.5	39.0	830	2.5	2.5	39.5	840	2.5	2.5	40.0	850	2.5	2.5	40.5	860	2.5	2.5	41.0	870	2.5	2.5	41.5	880	2.5	2.5	42.0	890	2.5	2.5	42.5	900	2.5	2.5	43.0	910	2.5	2.5	43.5	920	2.5</
Room height (m)	Room width (m)	Room length (m)	Utilization factor																																																																																																																																																																																																																																																																																																																																																																																																																																																																																																																																																																																																																																																																																																																																																																																																																																																																																																																																																																																																																																																																																																																																																																					
2.5	2.5	2.5	0.40																																																																																																																																																																																																																																																																																																																																																																																																																																																																																																																																																																																																																																																																																																																																																																																																																																																																																																																																																																																																																																																																																																																																																																					
2.5	2.5	3.0	0.45																																																																																																																																																																																																																																																																																																																																																																																																																																																																																																																																																																																																																																																																																																																																																																																																																																																																																																																																																																																																																																																																																																																																																																					
2.5	2.5	3.5	0.50																																																																																																																																																																																																																																																																																																																																																																																																																																																																																																																																																																																																																																																																																																																																																																																																																																																																																																																																																																																																																																																																																																																																																																					
2.5	2.5	4.0	0.55																																																																																																																																																																																																																																																																																																																																																																																																																																																																																																																																																																																																																																																																																																																																																																																																																																																																																																																																																																																																																																																																																																																																																																					
2.5	2.5	4.5	0.60																																																																																																																																																																																																																																																																																																																																																																																																																																																																																																																																																																																																																																																																																																																																																																																																																																																																																																																																																																																																																																																																																																																																																																					
2.5	2.5	5.0	0.65																																																																																																																																																																																																																																																																																																																																																																																																																																																																																																																																																																																																																																																																																																																																																																																																																																																																																																																																																																																																																																																																																																																																																																					
2.5	2.5	5.5	0.70																																																																																																																																																																																																																																																																																																																																																																																																																																																																																																																																																																																																																																																																																																																																																																																																																																																																																																																																																																																																																																																																																																																																																																					
2.5	2.5	6.0	0.75																																																																																																																																																																																																																																																																																																																																																																																																																																																																																																																																																																																																																																																																																																																																																																																																																																																																																																																																																																																																																																																																																																																																																																					
2.5	2.5	6.5	0.80																																																																																																																																																																																																																																																																																																																																																																																																																																																																																																																																																																																																																																																																																																																																																																																																																																																																																																																																																																																																																																																																																																																																																																					
2.5	2.5	7.0	0.85																																																																																																																																																																																																																																																																																																																																																																																																																																																																																																																																																																																																																																																																																																																																																																																																																																																																																																																																																																																																																																																																																																																																																																					
2.5	2.5	7.5	0.90																																																																																																																																																																																																																																																																																																																																																																																																																																																																																																																																																																																																																																																																																																																																																																																																																																																																																																																																																																																																																																																																																																																																																																					
2.5	2.5	8.0	0.95																																																																																																																																																																																																																																																																																																																																																																																																																																																																																																																																																																																																																																																																																																																																																																																																																																																																																																																																																																																																																																																																																																																																																																					
2.5	2.5	8.5	1.00																																																																																																																																																																																																																																																																																																																																																																																																																																																																																																																																																																																																																																																																																																																																																																																																																																																																																																																																																																																																																																																																																																																																																																					
2.5	2.5	9.0	1.00																																																																																																																																																																																																																																																																																																																																																																																																																																																																																																																																																																																																																																																																																																																																																																																																																																																																																																																																																																																																																																																																																																																																																																					
2.5	2.5	9.5	1.00																																																																																																																																																																																																																																																																																																																																																																																																																																																																																																																																																																																																																																																																																																																																																																																																																																																																																																																																																																																																																																																																																																																																																																					
2.5	2.5	10.0	1.00																																																																																																																																																																																																																																																																																																																																																																																																																																																																																																																																																																																																																																																																																																																																																																																																																																																																																																																																																																																																																																																																																																																																																																					
2.5	2.5	10.5	1.00																																																																																																																																																																																																																																																																																																																																																																																																																																																																																																																																																																																																																																																																																																																																																																																																																																																																																																																																																																																																																																																																																																																																																																					
2.5	2.5	11.0	1.00																																																																																																																																																																																																																																																																																																																																																																																																																																																																																																																																																																																																																																																																																																																																																																																																																																																																																																																																																																																																																																																																																																																																																																					
2.5	2.5	11.5	1.00																																																																																																																																																																																																																																																																																																																																																																																																																																																																																																																																																																																																																																																																																																																																																																																																																																																																																																																																																																																																																																																																																																																																																																					
2.5	2.5	12.0	1.00																																																																																																																																																																																																																																																																																																																																																																																																																																																																																																																																																																																																																																																																																																																																																																																																																																																																																																																																																																																																																																																																																																																																																																					
2.5	2.5	12.5	1.00																																																																																																																																																																																																																																																																																																																																																																																																																																																																																																																																																																																																																																																																																																																																																																																																																																																																																																																																																																																																																																																																																																																																																																					
2.5	2.5	13.0	1.00																																																																																																																																																																																																																																																																																																																																																																																																																																																																																																																																																																																																																																																																																																																																																																																																																																																																																																																																																																																																																																																																																																																																																																					
2.5	2.5	13.5	1.00																																																																																																																																																																																																																																																																																																																																																																																																																																																																																																																																																																																																																																																																																																																																																																																																																																																																																																																																																																																																																																																																																																																																																																					
2.5	2.5	14.0	1.00																																																																																																																																																																																																																																																																																																																																																																																																																																																																																																																																																																																																																																																																																																																																																																																																																																																																																																																																																																																																																																																																																																																																																																					
2.5	2.5	14.5	1.00																																																																																																																																																																																																																																																																																																																																																																																																																																																																																																																																																																																																																																																																																																																																																																																																																																																																																																																																																																																																																																																																																																																																																																					
2.5	2.5	15.0	1.00																																																																																																																																																																																																																																																																																																																																																																																																																																																																																																																																																																																																																																																																																																																																																																																																																																																																																																																																																																																																																																																																																																																																																																					
2.5	2.5	15.5	1.00																																																																																																																																																																																																																																																																																																																																																																																																																																																																																																																																																																																																																																																																																																																																																																																																																																																																																																																																																																																																																																																																																																																																																																					
2.5	2.5	16.0	1.00																																																																																																																																																																																																																																																																																																																																																																																																																																																																																																																																																																																																																																																																																																																																																																																																																																																																																																																																																																																																																																																																																																																																																																					
2.5	2.5	16.5	1.00																																																																																																																																																																																																																																																																																																																																																																																																																																																																																																																																																																																																																																																																																																																																																																																																																																																																																																																																																																																																																																																																																																																																																																					
2.5	2.5	17.0	1.00																																																																																																																																																																																																																																																																																																																																																																																																																																																																																																																																																																																																																																																																																																																																																																																																																																																																																																																																																																																																																																																																																																																																																																					
2.5	2.5	17.5	1.00																																																																																																																																																																																																																																																																																																																																																																																																																																																																																																																																																																																																																																																																																																																																																																																																																																																																																																																																																																																																																																																																																																																																																																					
2.5	2.5	18.0	1.00																																																																																																																																																																																																																																																																																																																																																																																																																																																																																																																																																																																																																																																																																																																																																																																																																																																																																																																																																																																																																																																																																																																																																																					
2.5	2.5	18.5	1.00																																																																																																																																																																																																																																																																																																																																																																																																																																																																																																																																																																																																																																																																																																																																																																																																																																																																																																																																																																																																																																																																																																																																																																					
2.5	2.5	19.0	1.00																																																																																																																																																																																																																																																																																																																																																																																																																																																																																																																																																																																																																																																																																																																																																																																																																																																																																																																																																																																																																																																																																																																																																																					
2.5	2.5	19.5	1.00																																																																																																																																																																																																																																																																																																																																																																																																																																																																																																																																																																																																																																																																																																																																																																																																																																																																																																																																																																																																																																																																																																																																																																					
2.5	2.5	20.0	1.00																																																																																																																																																																																																																																																																																																																																																																																																																																																																																																																																																																																																																																																																																																																																																																																																																																																																																																																																																																																																																																																																																																																																																																					
2.5	2.5	20.5	1.00																																																																																																																																																																																																																																																																																																																																																																																																																																																																																																																																																																																																																																																																																																																																																																																																																																																																																																																																																																																																																																																																																																																																																																					
2.5	2.5	21.0	1.00																																																																																																																																																																																																																																																																																																																																																																																																																																																																																																																																																																																																																																																																																																																																																																																																																																																																																																																																																																																																																																																																																																																																																																					
2.5	2.5	21.5	1.00																																																																																																																																																																																																																																																																																																																																																																																																																																																																																																																																																																																																																																																																																																																																																																																																																																																																																																																																																																																																																																																																																																																																																																					
2.5	2.5	22.0	1.00																																																																																																																																																																																																																																																																																																																																																																																																																																																																																																																																																																																																																																																																																																																																																																																																																																																																																																																																																																																																																																																																																																																																																																					
2.5	2.5	22.5	1.00																																																																																																																																																																																																																																																																																																																																																																																																																																																																																																																																																																																																																																																																																																																																																																																																																																																																																																																																																																																																																																																																																																																																																																					
2.5	2.5	23.0	1.00																																																																																																																																																																																																																																																																																																																																																																																																																																																																																																																																																																																																																																																																																																																																																																																																																																																																																																																																																																																																																																																																																																																																																																					
2.5	2.5	23.5	1.00																																																																																																																																																																																																																																																																																																																																																																																																																																																																																																																																																																																																																																																																																																																																																																																																																																																																																																																																																																																																																																																																																																																																																																					
2.5	2.5	24.0	1.00																																																																																																																																																																																																																																																																																																																																																																																																																																																																																																																																																																																																																																																																																																																																																																																																																																																																																																																																																																																																																																																																																																																																																																					
2.5	2.5	24.5	1.00																																																																																																																																																																																																																																																																																																																																																																																																																																																																																																																																																																																																																																																																																																																																																																																																																																																																																																																																																																																																																																																																																																																																																																					
2.5	2.5	25.0	1.00																																																																																																																																																																																																																																																																																																																																																																																																																																																																																																																																																																																																																																																																																																																																																																																																																																																																																																																																																																																																																																																																																																																																																																					
2.5	2.5	25.5	1.00																																																																																																																																																																																																																																																																																																																																																																																																																																																																																																																																																																																																																																																																																																																																																																																																																																																																																																																																																																																																																																																																																																																																																																					
2.5	2.5	26.0	1.00																																																																																																																																																																																																																																																																																																																																																																																																																																																																																																																																																																																																																																																																																																																																																																																																																																																																																																																																																																																																																																																																																																																																																																					
2.5	2.5	26.5	1.00																																																																																																																																																																																																																																																																																																																																																																																																																																																																																																																																																																																																																																																																																																																																																																																																																																																																																																																																																																																																																																																																																																																																																																					
2.5	2.5	27.0	1.00																																																																																																																																																																																																																																																																																																																																																																																																																																																																																																																																																																																																																																																																																																																																																																																																																																																																																																																																																																																																																																																																																																																																																																					
2.5	2.5	27.5	1.00																																																																																																																																																																																																																																																																																																																																																																																																																																																																																																																																																																																																																																																																																																																																																																																																																																																																																																																																																																																																																																																																																																																																																																					
2.5	2.5	28.0	1.00																																																																																																																																																																																																																																																																																																																																																																																																																																																																																																																																																																																																																																																																																																																																																																																																																																																																																																																																																																																																																																																																																																																																																																					
2.5	2.5	28.5	1.00																																																																																																																																																																																																																																																																																																																																																																																																																																																																																																																																																																																																																																																																																																																																																																																																																																																																																																																																																																																																																																																																																																																																																																					
2.5	2.5	29.0	1.00																																																																																																																																																																																																																																																																																																																																																																																																																																																																																																																																																																																																																																																																																																																																																																																																																																																																																																																																																																																																																																																																																																																																																																					
2.5	2.5	29.5	1.00																																																																																																																																																																																																																																																																																																																																																																																																																																																																																																																																																																																																																																																																																																																																																																																																																																																																																																																																																																																																																																																																																																																																																																					
2.5	2.5	30.0	1.00																																																																																																																																																																																																																																																																																																																																																																																																																																																																																																																																																																																																																																																																																																																																																																																																																																																																																																																																																																																																																																																																																																																																																																					
2.5	2.5	30.5	1.00																																																																																																																																																																																																																																																																																																																																																																																																																																																																																																																																																																																																																																																																																																																																																																																																																																																																																																																																																																																																																																																																																																																																																																					
2.5	2.5	31.0	1.00																																																																																																																																																																																																																																																																																																																																																																																																																																																																																																																																																																																																																																																																																																																																																																																																																																																																																																																																																																																																																																																																																																																																																																					
2.5	2.5	31.5	1.00																																																																																																																																																																																																																																																																																																																																																																																																																																																																																																																																																																																																																																																																																																																																																																																																																																																																																																																																																																																																																																																																																																																																																																					
2.5	2.5	32.0	1.00																																																																																																																																																																																																																																																																																																																																																																																																																																																																																																																																																																																																																																																																																																																																																																																																																																																																																																																																																																																																																																																																																																																																																																					
2.5	2.5	32.5	1.00																																																																																																																																																																																																																																																																																																																																																																																																																																																																																																																																																																																																																																																																																																																																																																																																																																																																																																																																																																																																																																																																																																																																																																					
2.5	2.5	33.0	1.00																																																																																																																																																																																																																																																																																																																																																																																																																																																																																																																																																																																																																																																																																																																																																																																																																																																																																																																																																																																																																																																																																																																																																																					
2.5	2.5	33.5	1.00																																																																																																																																																																																																																																																																																																																																																																																																																																																																																																																																																																																																																																																																																																																																																																																																																																																																																																																																																																																																																																																																																																																																																																					
2.5	2.5	34.0	1.00																																																																																																																																																																																																																																																																																																																																																																																																																																																																																																																																																																																																																																																																																																																																																																																																																																																																																																																																																																																																																																																																																																																																																																					
2.5	2.5	34.5	1.00																																																																																																																																																																																																																																																																																																																																																																																																																																																																																																																																																																																																																																																																																																																																																																																																																																																																																																																																																																																																																																																																																																																																																																					
2.5	2.5	35.0	1.00																																																																																																																																																																																																																																																																																																																																																																																																																																																																																																																																																																																																																																																																																																																																																																																																																																																																																																																																																																																																																																																																																																																																																																					
2.5	2.5	35.5	1.00																																																																																																																																																																																																																																																																																																																																																																																																																																																																																																																																																																																																																																																																																																																																																																																																																																																																																																																																																																																																																																																																																																																																																																					
2.5	2.5	36.0	1.00																																																																																																																																																																																																																																																																																																																																																																																																																																																																																																																																																																																																																																																																																																																																																																																																																																																																																																																																																																																																																																																																																																																																																																					
2.5	2.5	36.5	1.00																																																																																																																																																																																																																																																																																																																																																																																																																																																																																																																																																																																																																																																																																																																																																																																																																																																																																																																																																																																																																																																																																																																																																																					
2.5	2.5	37.0	1.00																																																																																																																																																																																																																																																																																																																																																																																																																																																																																																																																																																																																																																																																																																																																																																																																																																																																																																																																																																																																																																																																																																																																																																					
2.5	2.5	37.5	1.00																																																																																																																																																																																																																																																																																																																																																																																																																																																																																																																																																																																																																																																																																																																																																																																																																																																																																																																																																																																																																																																																																																																																																																					
2.5	2.5	38.0	1.00																																																																																																																																																																																																																																																																																																																																																																																																																																																																																																																																																																																																																																																																																																																																																																																																																																																																																																																																																																																																																																																																																																																																																																					
2.5	2.5	38.5	1.00																																																																																																																																																																																																																																																																																																																																																																																																																																																																																																																																																																																																																																																																																																																																																																																																																																																																																																																																																																																																																																																																																																																																																																					
2.5	2.5	39.0	1.00																																																																																																																																																																																																																																																																																																																																																																																																																																																																																																																																																																																																																																																																																																																																																																																																																																																																																																																																																																																																																																																																																																																																																																					
2.5	2.5	39.5	1.00																																																																																																																																																																																																																																																																																																																																																																																																																																																																																																																																																																																																																																																																																																																																																																																																																																																																																																																																																																																																																																																																																																																																																																					
2.5	2.5	40.0	1.00																																																																																																																																																																																																																																																																																																																																																																																																																																																																																																																																																																																																																																																																																																																																																																																																																																																																																																																																																																																																																																																																																																																																																																					
2.5	2.5	40.5	1.00																																																																																																																																																																																																																																																																																																																																																																																																																																																																																																																																																																																																																																																																																																																																																																																																																																																																																																																																																																																																																																																																																																																																																																					
2.5	2.5	41.0	1.00																																																																																																																																																																																																																																																																																																																																																																																																																																																																																																																																																																																																																																																																																																																																																																																																																																																																																																																																																																																																																																																																																																																																																																					
2.5	2.5	41.5	1.00																																																																																																																																																																																																																																																																																																																																																																																																																																																																																																																																																																																																																																																																																																																																																																																																																																																																																																																																																																																																																																																																																																																																																																					
2.5	2.5	42.0	1.00																																																																																																																																																																																																																																																																																																																																																																																																																																																																																																																																																																																																																																																																																																																																																																																																																																																																																																																																																																																																																																																																																																																																																																					
2.5	2.5	42.5	1.00																																																																																																																																																																																																																																																																																																																																																																																																																																																																																																																																																																																																																																																																																																																																																																																																																																																																																																																																																																																																																																																																																																																																																																					
2.5	2.5	43.0	1.00																																																																																																																																																																																																																																																																																																																																																																																																																																																																																																																																																																																																																																																																																																																																																																																																																																																																																																																																																																																																																																																																																																																																																																					
2.5	2.5	43.5	1.00																																																																																																																																																																																																																																																																																																																																																																																																																																																																																																																																																																																																																																																																																																																																																																																																																																																																																																																																																																																																																																																																																																																																																																					
2.5	2.5	44.0	1.00																																																																																																																																																																																																																																																																																																																																																																																																																																																																																																																																																																																																																																																																																																																																																																																																																																																																																																																																																																																																																																																																																																																																																																					
2.5	2.5	44.5	1.00																																																																																																																																																																																																																																																																																																																																																																																																																																																																																																																																																																																																																																																																																																																																																																																																																																																																																																																																																																																																																																																																																																																																																																					
2.5	2.5	45.0	1.00																																																																																																																																																																																																																																																																																																																																																																																																																																																																																																																																																																																																																																																																																																																																																																																																																																																																																																																																																																																																																																																																																																																																																																					
2.5	2.5	45.5	1.00																																																																																																																																																																																																																																																																																																																																																																																																																																																																																																																																																																																																																																																																																																																																																																																																																																																																																																																																																																																																																																																																																																																																																																					
2.5	2.5	46.0	1.00																																																																																																																																																																																																																																																																																																																																																																																																																																																																																																																																																																																																																																																																																																																																																																																																																																																																																																																																																																																																																																																																																																																																																																					
2.5	2.5	46.5	1.00																																																																																																																																																																																																																																																																																																																																																																																																																																																																																																																																																																																																																																																																																																																																																																																																																																																																																																																																																																																																																																																																																																																																																																					
2.5	2.5	47.0	1.00																																																																																																																																																																																																																																																																																																																																																																																																																																																																																																																																																																																																																																																																																																																																																																																																																																																																																																																																																																																																																																																																																																																																																																					
2.5	2.5	47.5	1.00																																																																																																																																																																																																																																																																																																																																																																																																																																																																																																																																																																																																																																																																																																																																																																																																																																																																																																																																																																																																																																																																																																																																																																					
2.5	2.5	48.0	1.00																																																																																																																																																																																																																																																																																																																																																																																																																																																																																																																																																																																																																																																																																																																																																																																																																																																																																																																																																																																																																																																																																																																																																																					
2.5	2.5	48.5	1.00																																																																																																																																																																																																																																																																																																																																																																																																																																																																																																																																																																																																																																																																																																																																																																																																																																																																																																																																																																																																																																																																																																																																																																					
2.5	2.5	49.0	1.00																																																																																																																																																																																																																																																																																																																																																																																																																																																																																																																																																																																																																																																																																																																																																																																																																																																																																																																																																																																																																																																																																																																																																																					
2.5	2.5	49.5	1.00																																																																																																																																																																																																																																																																																																																																																																																																																																																																																																																																																																																																																																																																																																																																																																																																																																																																																																																																																																																																																																																																																																																																																																					
2.5	2.5	50.0	1.00																																																																																																																																																																																																																																																																																																																																																																																																																																																																																																																																																																																																																																																																																																																																																																																																																																																																																																																																																																																																																																																																																																																																																																					
2.5	2.5	50.5	1.00																																																																																																																																																																																																																																																																																																																																																																																																																																																																																																																																																																																																																																																																																																																																																																																																																																																																																																																																																																																																																																																																																																																																																																					
2.5	2.5	51.0	1.00																																																																																																																																																																																																																																																																																																																																																																																																																																																																																																																																																																																																																																																																																																																																																																																																																																																																																																																																																																																																																																																																																																																																																																					
2.5	2.5	51.5	1.00																																																																																																																																																																																																																																																																																																																																																																																																																																																																																																																																																																																																																																																																																																																																																																																																																																																																																																																																																																																																																																																																																																																																																																					
2.5	2.5	52.0	1.00																																																																																																																																																																																																																																																																																																																																																																																																																																																																																																																																																																																																																																																																																																																																																																																																																																																																																																																																																																																																																																																																																																																																																																					
2.5	2.5	52.5	1.00																																																																																																																																																																																																																																																																																																																																																																																																																																																																																																																																																																																																																																																																																																																																																																																																																																																																																																																																																																																																																																																																																																																																																																					
2.5	2.5	53.0	1.00																																																																																																																																																																																																																																																																																																																																																																																																																																																																																																																																																																																																																																																																																																																																																																																																																																																																																																																																																																																																																																																																																																																																																																					
2.5	2.5	53.5	1.00																																																																																																																																																																																																																																																																																																																																																																																																																																																																																																																																																																																																																																																																																																																																																																																																																																																																																																																																																																																																																																																																																																																																																																					
2.5	2.5	54.0	1.00																																																																																																																																																																																																																																																																																																																																																																																																																																																																																																																																																																																																																																																																																																																																																																																																																																																																																																																																																																																																																																																																																																																																																																					
2.5	2.5	54.5	1.00																																																																																																																																																																																																																																																																																																																																																																																																																																																																																																																																																																																																																																																																																																																																																																																																																																																																																																																																																																																																																																																																																																																																																																					
2.5	2.5	55.0	1.00																																																																																																																																																																																																																																																																																																																																																																																																																																																																																																																																																																																																																																																																																																																																																																																																																																																																																																																																																																																																																																																																																																																																																																					
2.5	2.5	55.5	1.00																																																																																																																																																																																																																																																																																																																																																																																																																																																																																																																																																																																																																																																																																																																																																																																																																																																																																																																																																																																																																																																																																																																																																																					
2.5	2.5	56.0	1.00																																																																																																																																																																																																																																																																																																																																																																																																																																																																																																																																																																																																																																																																																																																																																																																																																																																																																																																																																																																																																																																																																																																																																																					
2.5	2.5	56.5	1.00																																																																																																																																																																																																																																																																																																																																																																																																																																																																																																																																																																																																																																																																																																																																																																																																																																																																																																																																																																																																																																																																																																																																																																					
2.5	2.5	57.0	1.00																																																																																																																																																																																																																																																																																																																																																																																																																																																																																																																																																																																																																																																																																																																																																																																																																																																																																																																																																																																																																																																																																																																																																																					
2.5	2.5	57.5	1.00																																																																																																																																																																																																																																																																																																																																																																																																																																																																																																																																																																																																																																																																																																																																																																																																																																																																																																																																																																																																																																																																																																																																																																					
2.5	2.5	58.0	1.00																																																																																																																																																																																																																																																																																																																																																																																																																																																																																																																																																																																																																																																																																																																																																																																																																																																																																																																																																																																																																																																																																																																																																																					
2.5	2.5	58.5	1.00																																																																																																																																																																																																																																																																																																																																																																																																																																																																																																																																																																																																																																																																																																																																																																																																																																																																																																																																																																																																																																																																																																																																																																					
2.5	2.5	59.0	1.00																																																																																																																																																																																																																																																																																																																																																																																																																																																																																																																																																																																																																																																																																																																																																																																																																																																																																																																																																																																																																																																																																																																																																																					
2.5	2.5	59.5	1.00																																																																																																																																																																																																																																																																																																																																																																																																																																																																																																																																																																																																																																																																																																																																																																																																																																																																																																																																																																																																																																																																																																																																																																					
2.5	2.5	60.0	1.00																																																																																																																																																																																																																																																																																																																																																																																																																																																																																																																																																																																																																																																																																																																																																																																																																																																																																																																																																																																																																																																																																																																																																																					
2.5	2.5	60.5	1.00																																																																																																																																																																																																																																																																																																																																																																																																																																																																																																																																																																																																																																																																																																																																																																																																																																																																																																																																																																																																																																																																																																																																																																					
2.5	2.5	61.0	1.00																																																																																																																																																																																																																																																																																																																																																																																																																																																																																																																																																																																																																																																																																																																																																																																																																																																																																																																																																																																																																																																																																																																																																																					
2.5	2.5	61.5	1.00																																																																																																																																																																																																																																																																																																																																																																																																																																																																																																																																																																																																																																																																																																																																																																																																																																																																																																																																																																																																																																																																																																																																																																					
2.5	2.5	62.0	1.00																																																																																																																																																																																																																																																																																																																																																																																																																																																																																																																																																																																																																																																																																																																																																																																																																																																																																																																																																																																																																																																																																																																																																																					
2.5	2.5	62.5	1.00																																																																																																																																																																																																																																																																																																																																																																																																																																																																																																																																																																																																																																																																																																																																																																																																																																																																																																																																																																																																																																																																																																																																																																					
2.5	2.5	63.0	1.00																																																																																																																																																																																																																																																																																																																																																																																																																																																																																																																																																																																																																																																																																																																																																																																																																																																																																																																																																																																																																																																																																																																																																																					
2.5	2.5	63.5	1.00																																																																																																																																																																																																																																																																																																																																																																																																																																																																																																																																																																																																																																																																																																																																																																																																																																																																																																																																																																																																																																																																																																																																																																					
2.5	2.5	64.0	1.00																																																																																																																																																																																																																																																																																																																																																																																																																																																																																																																																																																																																																																																																																																																																																																																																																																																																																																																																																																																																																																																																																																																																																																					
2.5	2.5	64.5	1.00																																																																																																																																																																																																																																																																																																																																																																																																																																																																																																																																																																																																																																																																																																																																																																																																																																																																																																																																																																																																																																																																																																																																																																					
2.5	2.5	65.0	1.00																																																																																																																																																																																																																																																																																																																																																																																																																																																																																																																																																																																																																																																																																																																																																																																																																																																																																																																																																																																																																																																																																																																																																																					
2.5	2.5	65.5	1.00																																																																																																																																																																																																																																																																																																																																																																																																																																																																																																																																																																																																																																																																																																																																																																																																																																																																																																																																																																																																																																																																																																																																																																					
2.5	2.5	66.0	1.00																																																																																																																																																																																																																																																																																																																																																																																																																																																																																																																																																																																																																																																																																																																																																																																																																																																																																																																																																																																																																																																																																																																																																																					
2.5	2.5	66.5	1.00																																																																																																																																																																																																																																																																																																																																																																																																																																																																																																																																																																																																																																																																																																																																																																																																																																																																																																																																																																																																																																																																																																																																																																					
2.5	2.5	67.0	1.00																																																																																																																																																																																																																																																																																																																																																																																																																																																																																																																																																																																																																																																																																																																																																																																																																																																																																																																																																																																																																																																																																																																																																																					
2.5	2.5	67.5	1.00																																																																																																																																																																																																																																																																																																																																																																																																																																																																																																																																																																																																																																																																																																																																																																																																																																																																																																																																																																																																																																																																																																																																																																					
2.5	2.5	68.0	1.00																																																																																																																																																																																																																																																																																																																																																																																																																																																																																																																																																																																																																																																																																																																																																																																																																																																																																																																																																																																																																																																																																																																																																																					
2.5	2.5	68.5	1.00																																																																																																																																																																																																																																																																																																																																																																																																																																																																																																																																																																																																																																																																																																																																																																																																																																																																																																																																																																																																																																																																																																																																																																					
2.5	2.5	69.0	1.00																																																																																																																																																																																																																																																																																																																																																																																																																																																																																																																																																																																																																																																																																																																																																																																																																																																																																																																																																																																																																																																																																																																																																																					
2.5	2.5	69.5	1.00																																																																																																																																																																																																																																																																																																																																																																																																																																																																																																																																																																																																																																																																																																																																																																																																																																																																																																																																																																																																																																																																																																																																																																					
2.5	2.5	70.0	1.00																																																																																																																																																																																																																																																																																																																																																																																																																																																																																																																																																																																																																																																																																																																																																																																																																																																																																																																																																																																																																																																																																																																																																																					
2.5	2.5	70.5	1.00																																																																																																																																																																																																																																																																																																																																																																																																																																																																																																																																																																																																																																																																																																																																																																																																																																																																																																																																																																																																																																																																																																																																																																					
2.5	2.5	71.0	1.00																																																																																																																																																																																																																																																																																																																																																																																																																																																																																																																																																																																																																																																																																																																																																																																																																																																																																																																																																																																																																																																																																																																																																																					
2.5	2.5	71.5	1.00																																																																																																																																																																																																																																																																																																																																																																																																																																																																																																																																																																																																																																																																																																																																																																																																																																																																																																																																																																																																																																																																																																																																																																					
2.5	2.5	72.0	1.00																																																																																																																																																																																																																																																																																																																																																																																																																																																																																																																																																																																																																																																																																																																																																																																																																																																																																																																																																																																																																																																																																																																																																																					
2.5	2.5	72.5	1.00																																																																																																																																																																																																																																																																																																																																																																																																																																																																																																																																																																																																																																																																																																																																																																																																																																																																																																																																																																																																																																																																																																																																																																					
2.5	2.5	73.0	1.00																																																																																																																																																																																																																																																																																																																																																																																																																																																																																																																																																																																																																																																																																																																																																																																																																																																																																																																																																																																																																																																																																																																																																																					
2.5	2.5	73.5	1.00																																																																																																																																																																																																																																																																																																																																																																																																																																																																																																																																																																																																																																																																																																																																																																																																																																																																																																																																																																																																																																																																																																																																																																					
2.5	2.5	74.0	1.00																																																																																																																																																																																																																																																																																																																																																																																																																																																																																																																																																																																																																																																																																																																																																																																																																																																																																																																																																																																																																																																																																																																																																																					
2.5	2.5	74.5	1.00																																																																																																																																																																																																																																																																																																																																																																																																																																																																																																																																																																																																																																																																																																																																																																																																																																																																																																																																																																																																																																																																																																																																																																					
2.5	2.5	75.0	1.00																																																																																																																																																																																																																																																																																																																																																																																																																																																																																																																																																																																																																																																																																																																																																																																																																																																																																																																																																																																																																																																																																																																																																																					
2.5	2.5	75.5	1.00																																																																																																																																																																																																																																																																																																																																																																																																																																																																																																																																																																																																																																																																																																																																																																																																																																																																																																																																																																																																																																																																																																																																																																					
2.5	2.5	76.0	1.00																																																																																																																																																																																																																																																																																																																																																																																																																																																																																																																																																																																																																																																																																																																																																																																																																																																																																																																																																																																																																																																																																																																																																																					
2.5	2.5	76.5	1.00																																																																																																																																																																																																																																																																																																																																																																																																																																																																																																																																																																																																																																																																																																																																																																																																																																																																																																																																																																																																																																																																																																																																																																					
2.5	2.5	77.0	1.00																																																																																																																																																																																																																																																																																																																																																																																																																																																																																																																																																																																																																																																																																																																																																																																																																																																																																																																																																																																																																																																																																																																																																																					
2.5	2.5	77.5	1.00																																																																																																																																																																																																																																																																																																																																																																																																																																																																																																																																																																																																																																																																																																																																																																																																																																																																																																																																																																																																																																																																																																																																																																					
2.5	2.5	78.0	1.00																																																																																																																																																																																																																																																																																																																																																																																																																																																																																																																																																																																																																																																																																																																																																																																																																																																																																																																																																																																																																																																																																																																																																																					
2.5	2.5	78.5	1.00																																																																																																																																																																																																																																																																																																																																																																																																																																																																																																																																																																																																																																																																																																																																																																																																																																																																																																																																																																																																																																																																																																																																																																					
2.5	2.5	79.0	1.00																																																																																																																																																																																																																																																																																																																																																																																																																																																																																																																																																																																																																																																																																																																																																																																																																																																																																																																																																																																																																																																																																																																																																																					
2.5	2.5	79.5	1.00																																																																																																																																																																																																																																																																																																																																																																																																																																																																																																																																																																																																																																																																																																																																																																																																																																																																																																																																																																																																																																																																																																																																																																					
2.5	2.5	80.0	1.00																																																																																																																																																																																																																																																																																																																																																																																																																																																																																																																																																																																																																																																																																																																																																																																																																																																																																																																																																																																																																																																																																																																																																																					
2.5	2.5	80.5	1.00																																																																																																																																																																																																																																																																																																																																																																																																																																																																																																																																																																																																																																																																																																																																																																																																																																																																																																																																																																																																																																																																																																																																																																					
2.5	2.5	81.0	1.00																																																																																																																																																																																																																																																																																																																																																																																																																																																																																																																																																																																																																																																																																																																																																																																																																																																																																																																																																																																																																																																																																																																																																																					
2.5	2.5	81.5	1.00																																																																																																																																																																																																																																																																																																																																																																																																																																																																																																																																																																																																																																																																																																																																																																																																																																																																																																																																																																																																																																																																																																																																																																					
2.5	2.5	82.0	1.00																																																																																																																																																																																																																																																																																																																																																																																																																																																																																																																																																																																																																																																																																																																																																																																																																																																																																																																																																																																																																																																																																																																																																																					
2.5	2.5	82.5	1.00																																																																																																																																																																																																																																																																																																																																																																																																																																																																																																																																																																																																																																																																																																																																																																																																																																																																																																																																																																																																																																																																																																																																																																					
2.5	2.5	83.0	1.00																																																																																																																																																																																																																																																																																																																																																																																																																																																																																																																																																																																																																																																																																																																																																																																																																																																																																																																																																																																																																																																																																																																																																																					
2.5	2.5	83.5	1.00																																																																																																																																																																																																																																																																																																																																																																																																																																																																																																																																																																																																																																																																																																																																																																																																																																																																																																																																																																																																																																																																																																																																																																					
2.5	2.5	84.0	1.00																																																																																																																																																																																																																																																																																																																																																																																																																																																																																																																																																																																																																																																																																																																																																																																																																																																																																																																																																																																																																																																																																																																																																																					
2.5	2.5	84.5	1.00																																																																																																																																																																																																																																																																																																																																																																																																																																																																																																																																																																																																																																																																																																																																																																																																																																																																																																																																																																																																																																																																																																																																																																					
2.5	2.5	85.0	1.00																																																																																																																																																																																																																																																																																																																																																																																																																																																																																																																																																																																																																																																																																																																																																																																																																																																																																																																																																																																																																																																																																																																																																																					
2.5	2.5	85.5	1.00																																																																																																																																																																																																																																																																																																																																																																																																																																																																																																																																																																																																																																																																																																																																																																																																																																																																																																																																																																																																																																																																																																																																																																					
2.5	2.5	86.0	1.00																																																																																																																																																																																																																																																																																																																																																																																																																																																																																																																																																																																																																																																																																																																																																																																																																																																																																																																																																																																																																																																																																																																																																																					
2.5	2.5	86.5	1.00																																																																																																																																																																																																																																																																																																																																																																																																																																																																																																																																																																																																																																																																																																																																																																																																																																																																																																																																																																																																																																																																																																																																																																					
2.5	2.5	87.0	1.00																																																																																																																																																																																																																																																																																																																																																																																																																																																																																																																																																																																																																																																																																																																																																																																																																																																																																																																																																																																																																																																																																																																																																																					
2.5	2.5	87.5	1.00																																																																																																																																																																																																																																																																																																																																																																																																																																																																																																																																																																																																																																																																																																																																																																																																																																																																																																																																																																																																																																																																																																																																																																					
2.5	2.5	88.0	1.00																																																																																																																																																																																																																																																																																																																																																																																																																																																																																																																																																																																																																																																																																																																																																																																																																																																																																																																																																																																																																																																																																																																																																																					
2.5	2.5	88.5	1.00																																																																																																																																																																																																																																																																																																																																																																																																																																																																																																																																																																																																																																																																																																																																																																																																																																																																																																																																																																																																																																																																																																																																																																					
2.5	2.5	89.0	1.00																																																																																																																																																																																																																																																																																																																																																																																																																																																																																																																																																																																																																																																																																																																																																																																																																																																																																																																																																																																																																																																																																																																																																																					
2.5	2.5	89.5	1.00																																																																																																																																																																																																																																																																																																																																																																																																																																																																																																																																																																																																																																																																																																																																																																																																																																																																																																																																																																																																																																																																																																																																																																					
2.5	2.5	90.0	1.00																																																																																																																																																																																																																																																																																																																																																																																																																																																																																																																																																																																																																																																																																																																																																																																																																																																																																																																																																																																																																																																																																																																																																																					
2.5	2.5	90.5	1.00																																																																																																																																																																																																																																																																																																																																																																																																																																																																																																																																																																																																																																																																																																																																																																																																																																																																																																																																																																																																																																																																																																																																																																					
2.5	2.5	91.0	1.00																																																																																																																																																																																																																																																																																																																																																																																																																																																																																																																																																																																																																																																																																																																																																																																																																																																																																																																																																																																																																																																																																																																																																																					
2.5	2.5	91.5	1.00																																																																																																																																																																																																																																																																																																																																																																																																																																																																																																																																																																																																																																																																																																																																																																																																																																																																																																																																																																																																																																																																																																																																																																					
2.5	2.5	92.0	1.00																																																																																																																																																																																																																																																																																																																																																																																																																																																																																																																																																																																																																																																																																																																																																																																																																																																																																																																																																																																																																																																																																																																																																																					
2.5	2.5	92.5	1.00																																																																																																																																																																																																																																																																																																																																																																																																																																																																																																																																																																																																																																																																																																																																																																																																																																																																																																																																																																																																																																																																																																																																																																					
2.5	2.5	93.0	1.00																																																																																																																																																																																																																																																																																																																																																																																																																																																																																																																																																																																																																																																																																																																																																																																																																																																																																																																																																																																																																																																																																																																																																																					
2.5	2.5	93.5	1.00																																																																																																																																																																																																																																																																																																																																																																																																																																																																																																																																																																																																																																																																																																																																																																																																																																																																																																																																																																																																																																																																																																																																																																					
2.5	2.5	94.0	1.00																																																																																																																																																																																																																																																																																																																																																																																																																																																																																																																																																																																																																																																																																																																																																																																																																																																																																																																																																																																																																																																																																																																																																																					
2.5	2.5	94.5	1.00																																																																																																																																																																																																																																																																																																																																																																																																																																																																																																																																																																																																																																																																																																																																																																																																																																																																																																																																																																																																																																																																																																																																																																					
2.5	2.5	95.0	1.00																																																																																																																																																																																																																																																																																																																																																																																																																																																																																																																																																																																																																																																																																																																																																																																																																																																																																																																																																																																																																																																																																																																																																																					
2.5	2.5	95.5	1.00																																																																																																																																																																																																																																																																																																																																																																																																																																																																																																																																																																																																																																																																																																																																																																																																																																																																																																																																																																																																																																																																																																																																																																					
2.5	2.5	96.0	1.00																																																																																																																																																																																																																																																																																																																																																																																																																																																																																																																																																																																																																																																																																																																																																																																																																																																																																																																																																																																																																																																																																																																																																																					
2.5	2.5	96.5	1.00																																																																																																																																																																																																																																																																																																																																																																																																																																																																																																																																																																																																																																																																																																																																																																																																																																																																																																																																																																																																																																																																																																																																																																					
2.5	2.5	97.0	1.00																																																																																																																																																																																																																																																																																																																																																																																																																																																																																																																																																																																																																																																																																																																																																																																																																																																																																																																																																																																																																																																																																																																																																																					
2.5	2.5	97.5	1.00																																																																																																																																																																																																																																																																																																																																																																																																																																																																																																																																																																																																																																																																																																																																																																																																																																																																																																																																																																																																																																																																																																																																																																					
2.5	2.5	98.0	1.00																																																																																																																																																																																																																																																																																																																																																																																																																																																																																																																																																																																																																																																																																																																																																																																																																																																																																																																																																																																																																																																																																																																																																																					
2.5	2.5	98.5	1.00																																																																																																																																																																																																																																																																																																																																																																																																																																																																																																																																																																																																																																																																																																																																																																																																																																																																																																																																																																																																																																																																																																																																																																					
2.5	2.5	99.0	1.00																																																																																																																																																																																																																																																																																																																																																																																																																																																																																																																																																																																																																																																																																																																																																																																																																																																																																																																																																																																																																																																																																																																																																																					
2.5	2.5	99.5	1.00																																																																																																																																																																																																																																																																																																																																																																																																																																																																																																																																																																																																																																																																																																																																																																																																																																																																																																																																																																																																																																																																																																																																																																					
2.5	2.5	100.0	1.00																																																																																																																																																																																																																																																																																																																																																																																																																																																																																																																																																																																																																																																																																																																																																																																																																																																																																																																																																																																																																																																																																																																																																																					
Room height (m)	Room width (m)	Room length (m)	Luminance (cd/m²)																																																																																																																																																																																																																																																																																																																																																																																																																																																																																																																																																																																																																																																																																																																																																																																																																																																																																																																																																																																																																																																																																																																																																																					
2.5	2.5	2.5	100																																																																																																																																																																																																																																																																																																																																																																																																																																																																																																																																																																																																																																																																																																																																																																																																																																																																																																																																																																																																																																																																																																																																																																					
2.5	2.5	3.0	110																																																																																																																																																																																																																																																																																																																																																																																																																																																																																																																																																																																																																																																																																																																																																																																																																																																																																																																																																																																																																																																																																																																																																																					
2.5	2.5	3.5	120																																																																																																																																																																																																																																																																																																																																																																																																																																																																																																																																																																																																																																																																																																																																																																																																																																																																																																																																																																																																																																																																																																																																																																					
2.5	2.5	4.0	130																																																																																																																																																																																																																																																																																																																																																																																																																																																																																																																																																																																																																																																																																																																																																																																																																																																																																																																																																																																																																																																																																																																																																																					
2.5	2.5	4.5	140																																																																																																																																																																																																																																																																																																																																																																																																																																																																																																																																																																																																																																																																																																																																																																																																																																																																																																																																																																																																																																																																																																																																																																					
2.5	2.5	5.0	150																																																																																																																																																																																																																																																																																																																																																																																																																																																																																																																																																																																																																																																																																																																																																																																																																																																																																																																																																																																																																																																																																																																																																																					
2.5	2.5	5.5	160																																																																																																																																																																																																																																																																																																																																																																																																																																																																																																																																																																																																																																																																																																																																																																																																																																																																																																																																																																																																																																																																																																																																																																					
2.5	2.5	6.0	170																																																																																																																																																																																																																																																																																																																																																																																																																																																																																																																																																																																																																																																																																																																																																																																																																																																																																																																																																																																																																																																																																																																																																																					
2.5	2.5	6.5	180																																																																																																																																																																																																																																																																																																																																																																																																																																																																																																																																																																																																																																																																																																																																																																																																																																																																																																																																																																																																																																																																																																																																																																					
2.5	2.5	7.0	190																																																																																																																																																																																																																																																																																																																																																																																																																																																																																																																																																																																																																																																																																																																																																																																																																																																																																																																																																																																																																																																																																																																																																																					
2.5	2.5	7.5	200																																																																																																																																																																																																																																																																																																																																																																																																																																																																																																																																																																																																																																																																																																																																																																																																																																																																																																																																																																																																																																																																																																																																																																					
2.5	2.5	8.0	210																																																																																																																																																																																																																																																																																																																																																																																																																																																																																																																																																																																																																																																																																																																																																																																																																																																																																																																																																																																																																																																																																																																																																																					
2.5	2.5	8.5	220																																																																																																																																																																																																																																																																																																																																																																																																																																																																																																																																																																																																																																																																																																																																																																																																																																																																																																																																																																																																																																																																																																																																																																					
2.5	2.5	9.0	230																																																																																																																																																																																																																																																																																																																																																																																																																																																																																																																																																																																																																																																																																																																																																																																																																																																																																																																																																																																																																																																																																																																																																																					
2.5	2.5	9.5	240																																																																																																																																																																																																																																																																																																																																																																																																																																																																																																																																																																																																																																																																																																																																																																																																																																																																																																																																																																																																																																																																																																																																																																					
2.5	2.5	10.0	250																																																																																																																																																																																																																																																																																																																																																																																																																																																																																																																																																																																																																																																																																																																																																																																																																																																																																																																																																																																																																																																																																																																																																																					
2.5	2.5	10.5	260																																																																																																																																																																																																																																																																																																																																																																																																																																																																																																																																																																																																																																																																																																																																																																																																																																																																																																																																																																																																																																																																																																																																																																					
2.5	2.5	11.0	270																																																																																																																																																																																																																																																																																																																																																																																																																																																																																																																																																																																																																																																																																																																																																																																																																																																																																																																																																																																																																																																																																																																																																																					
2.5	2.5	11.5	280																																																																																																																																																																																																																																																																																																																																																																																																																																																																																																																																																																																																																																																																																																																																																																																																																																																																																																																																																																																																																																																																																																																																																																					
2.5	2.5	12.0	290																																																																																																																																																																																																																																																																																																																																																																																																																																																																																																																																																																																																																																																																																																																																																																																																																																																																																																																																																																																																																																																																																																																																																																					
2.5	2.5	12.5	300																																																																																																																																																																																																																																																																																																																																																																																																																																																																																																																																																																																																																																																																																																																																																																																																																																																																																																																																																																																																																																																																																																																																																																					
2.5	2.5	13.0	310																																																																																																																																																																																																																																																																																																																																																																																																																																																																																																																																																																																																																																																																																																																																																																																																																																																																																																																																																																																																																																																																																																																																																																					
2.5	2.5	13.5	320																																																																																																																																																																																																																																																																																																																																																																																																																																																																																																																																																																																																																																																																																																																																																																																																																																																																																																																																																																																																																																																																																																																																																																					
2.5	2.5	14.0	330																																																																																																																																																																																																																																																																																																																																																																																																																																																																																																																																																																																																																																																																																																																																																																																																																																																																																																																																																																																																																																																																																																																																																																					
2.5	2.5	14.5	340																																																																																																																																																																																																																																																																																																																																																																																																																																																																																																																																																																																																																																																																																																																																																																																																																																																																																																																																																																																																																																																																																																																																																																					
2.5	2.5	15.0	350																																																																																																																																																																																																																																																																																																																																																																																																																																																																																																																																																																																																																																																																																																																																																																																																																																																																																																																																																																																																																																																																																																																																																																					
2.5	2.5	15.5	360																																																																																																																																																																																																																																																																																																																																																																																																																																																																																																																																																																																																																																																																																																																																																																																																																																																																																																																																																																																																																																																																																																																																																																					
2.5	2.5	16.0	370																																																																																																																																																																																																																																																																																																																																																																																																																																																																																																																																																																																																																																																																																																																																																																																																																																																																																																																																																																																																																																																																																																																																																																					
2.5	2.5	16.5	380																																																																																																																																																																																																																																																																																																																																																																																																																																																																																																																																																																																																																																																																																																																																																																																																																																																																																																																																																																																																																																																																																																																																																																					
2.5	2.5	17.0	390																																																																																																																																																																																																																																																																																																																																																																																																																																																																																																																																																																																																																																																																																																																																																																																																																																																																																																																																																																																																																																																																																																																																																																					
2.5	2.5	17.5	400																																																																																																																																																																																																																																																																																																																																																																																																																																																																																																																																																																																																																																																																																																																																																																																																																																																																																																																																																																																																																																																																																																																																																																					
2.5	2.5	18.0	410																																																																																																																																																																																																																																																																																																																																																																																																																																																																																																																																																																																																																																																																																																																																																																																																																																																																																																																																																																																																																																																																																																																																																																					
2.5	2.5	18.5	420																																																																																																																																																																																																																																																																																																																																																																																																																																																																																																																																																																																																																																																																																																																																																																																																																																																																																																																																																																																																																																																																																																																																																																					
2.5	2.5	19.0	430																																																																																																																																																																																																																																																																																																																																																																																																																																																																																																																																																																																																																																																																																																																																																																																																																																																																																																																																																																																																																																																																																																																																																																					
2.5	2.5	19.5	440																																																																																																																																																																																																																																																																																																																																																																																																																																																																																																																																																																																																																																																																																																																																																																																																																																																																																																																																																																																																																																																																																																																																																																					
2.5	2.5	20.0	450																																																																																																																																																																																																																																																																																																																																																																																																																																																																																																																																																																																																																																																																																																																																																																																																																																																																																																																																																																																																																																																																																																																																																																					
2.5	2.5	20.5	460																																																																																																																																																																																																																																																																																																																																																																																																																																																																																																																																																																																																																																																																																																																																																																																																																																																																																																																																																																																																																																																																																																																																																																					
2.5	2.5	21.0	470																																																																																																																																																																																																																																																																																																																																																																																																																																																																																																																																																																																																																																																																																																																																																																																																																																																																																																																																																																																																																																																																																																																																																																					
2.5	2.5	21.5	480																																																																																																																																																																																																																																																																																																																																																																																																																																																																																																																																																																																																																																																																																																																																																																																																																																																																																																																																																																																																																																																																																																																																																																					
2.5	2.5	22.0	490																																																																																																																																																																																																																																																																																																																																																																																																																																																																																																																																																																																																																																																																																																																																																																																																																																																																																																																																																																																																																																																																																																																																																																					
2.5	2.5	22.5	500																																																																																																																																																																																																																																																																																																																																																																																																																																																																																																																																																																																																																																																																																																																																																																																																																																																																																																																																																																																																																																																																																																																																																																					
2.5	2.5	23.0	510																																																																																																																																																																																																																																																																																																																																																																																																																																																																																																																																																																																																																																																																																																																																																																																																																																																																																																																																																																																																																																																																																																																																																																					
2.5	2.5	23.5	520																																																																																																																																																																																																																																																																																																																																																																																																																																																																																																																																																																																																																																																																																																																																																																																																																																																																																																																																																																																																																																																																																																																																																																					
2.5	2.5	24.0	530																																																																																																																																																																																																																																																																																																																																																																																																																																																																																																																																																																																																																																																																																																																																																																																																																																																																																																																																																																																																																																																																																																																																																																					
2.5	2.5	24.5	540																																																																																																																																																																																																																																																																																																																																																																																																																																																																																																																																																																																																																																																																																																																																																																																																																																																																																																																																																																																																																																																																																																																																																																					
2.5	2.5	25.0	550																																																																																																																																																																																																																																																																																																																																																																																																																																																																																																																																																																																																																																																																																																																																																																																																																																																																																																																																																																																																																																																																																																																																																																					
2.5	2.5	25.5	560																																																																																																																																																																																																																																																																																																																																																																																																																																																																																																																																																																																																																																																																																																																																																																																																																																																																																																																																																																																																																																																																																																																																																																					
2.5	2.5	26.0	570																																																																																																																																																																																																																																																																																																																																																																																																																																																																																																																																																																																																																																																																																																																																																																																																																																																																																																																																																																																																																																																																																																																																																																					
2.5	2.5	26.5	580																																																																																																																																																																																																																																																																																																																																																																																																																																																																																																																																																																																																																																																																																																																																																																																																																																																																																																																																																																																																																																																																																																																																																																					
2.5	2.5	27.0	590																																																																																																																																																																																																																																																																																																																																																																																																																																																																																																																																																																																																																																																																																																																																																																																																																																																																																																																																																																																																																																																																																																																																																																					
2.5	2.5	27.5	600																																																																																																																																																																																																																																																																																																																																																																																																																																																																																																																																																																																																																																																																																																																																																																																																																																																																																																																																																																																																																																																																																																																																																																					
2.5	2.5	28.0	610																																																																																																																																																																																																																																																																																																																																																																																																																																																																																																																																																																																																																																																																																																																																																																																																																																																																																																																																																																																																																																																																																																																																																																					
2.5	2.5	28.5	620																																																																																																																																																																																																																																																																																																																																																																																																																																																																																																																																																																																																																																																																																																																																																																																																																																																																																																																																																																																																																																																																																																																																																																					
2.5	2.5	29.0	630																																																																																																																																																																																																																																																																																																																																																																																																																																																																																																																																																																																																																																																																																																																																																																																																																																																																																																																																																																																																																																																																																																																																																																					
2.5	2.5	29.5	640																																																																																																																																																																																																																																																																																																																																																																																																																																																																																																																																																																																																																																																																																																																																																																																																																																																																																																																																																																																																																																																																																																																																																																					
2.5	2.5	30.0	650																																																																																																																																																																																																																																																																																																																																																																																																																																																																																																																																																																																																																																																																																																																																																																																																																																																																																																																																																																																																																																																																																																																																																																					
2.5	2.5	30.5	660																																																																																																																																																																																																																																																																																																																																																																																																																																																																																																																																																																																																																																																																																																																																																																																																																																																																																																																																																																																																																																																																																																																																																																					
2.5	2.5	31.0	670																																																																																																																																																																																																																																																																																																																																																																																																																																																																																																																																																																																																																																																																																																																																																																																																																																																																																																																																																																																																																																																																																																																																																																					
2.5	2.5	31.5	680																																																																																																																																																																																																																																																																																																																																																																																																																																																																																																																																																																																																																																																																																																																																																																																																																																																																																																																																																																																																																																																																																																																																																																					
2.5	2.5	32.0	690																																																																																																																																																																																																																																																																																																																																																																																																																																																																																																																																																																																																																																																																																																																																																																																																																																																																																																																																																																																																																																																																																																																																																																					
2.5	2.5	32.5	700																																																																																																																																																																																																																																																																																																																																																																																																																																																																																																																																																																																																																																																																																																																																																																																																																																																																																																																																																																																																																																																																																																																																																																					
2.5	2.5	33.0	710																																																																																																																																																																																																																																																																																																																																																																																																																																																																																																																																																																																																																																																																																																																																																																																																																																																																																																																																																																																																																																																																																																																																																																					
2.5	2.5	33.5	720																																																																																																																																																																																																																																																																																																																																																																																																																																																																																																																																																																																																																																																																																																																																																																																																																																																																																																																																																																																																																																																																																																																																																																					
2.5	2.5	34.0	730																																																																																																																																																																																																																																																																																																																																																																																																																																																																																																																																																																																																																																																																																																																																																																																																																																																																																																																																																																																																																																																																																																																																																																					
2.5	2.5	34.5	740																																																																																																																																																																																																																																																																																																																																																																																																																																																																																																																																																																																																																																																																																																																																																																																																																																																																																																																																																																																																																																																																																																																																																																					
2.5	2.5	35.0	750																																																																																																																																																																																																																																																																																																																																																																																																																																																																																																																																																																																																																																																																																																																																																																																																																																																																																																																																																																																																																																																																																																																																																																					
2.5	2.5	35.5	760																																																																																																																																																																																																																																																																																																																																																																																																																																																																																																																																																																																																																																																																																																																																																																																																																																																																																																																																																																																																																																																																																																																																																																					
2.5	2.5	36.0	770																																																																																																																																																																																																																																																																																																																																																																																																																																																																																																																																																																																																																																																																																																																																																																																																																																																																																																																																																																																																																																																																																																																																																																					
2.5	2.5	36.5	780																																																																																																																																																																																																																																																																																																																																																																																																																																																																																																																																																																																																																																																																																																																																																																																																																																																																																																																																																																																																																																																																																																																																																																					
2.5	2.5	37.0	790																																																																																																																																																																																																																																																																																																																																																																																																																																																																																																																																																																																																																																																																																																																																																																																																																																																																																																																																																																																																																																																																																																																																																																					
2.5	2.5	37.5	800																																																																																																																																																																																																																																																																																																																																																																																																																																																																																																																																																																																																																																																																																																																																																																																																																																																																																																																																																																																																																																																																																																																																																																					
2.5	2.5	38.0	810																																																																																																																																																																																																																																																																																																																																																																																																																																																																																																																																																																																																																																																																																																																																																																																																																																																																																																																																																																																																																																																																																																																																																																					
2.5	2.5	38.5	820																																																																																																																																																																																																																																																																																																																																																																																																																																																																																																																																																																																																																																																																																																																																																																																																																																																																																																																																																																																																																																																																																																																																																																					
2.5	2.5	39.0	830																																																																																																																																																																																																																																																																																																																																																																																																																																																																																																																																																																																																																																																																																																																																																																																																																																																																																																																																																																																																																																																																																																																																																																					
2.5	2.5	39.5	840																																																																																																																																																																																																																																																																																																																																																																																																																																																																																																																																																																																																																																																																																																																																																																																																																																																																																																																																																																																																																																																																																																																																																																					
2.5	2.5	40.0	850																																																																																																																																																																																																																																																																																																																																																																																																																																																																																																																																																																																																																																																																																																																																																																																																																																																																																																																																																																																																																																																																																																																																																																					
2.5	2.5	40.5	860																																																																																																																																																																																																																																																																																																																																																																																																																																																																																																																																																																																																																																																																																																																																																																																																																																																																																																																																																																																																																																																																																																																																																																					
2.5	2.5	41.0	870																																																																																																																																																																																																																																																																																																																																																																																																																																																																																																																																																																																																																																																																																																																																																																																																																																																																																																																																																																																																																																																																																																																																																																					
2.5	2.5	41.5	880																																																																																																																																																																																																																																																																																																																																																																																																																																																																																																																																																																																																																																																																																																																																																																																																																																																																																																																																																																																																																																																																																																																																																																					
2.5	2.5	42.0	890																																																																																																																																																																																																																																																																																																																																																																																																																																																																																																																																																																																																																																																																																																																																																																																																																																																																																																																																																																																																																																																																																																																																																																					
2.5	2.5	42.5	900																																																																																																																																																																																																																																																																																																																																																																																																																																																																																																																																																																																																																																																																																																																																																																																																																																																																																																																																																																																																																																																																																																																																																																					
2.5	2.5	43.0	910																																																																																																																																																																																																																																																																																																																																																																																																																																																																																																																																																																																																																																																																																																																																																																																																																																																																																																																																																																																																																																																																																																																																																																					
2.5	2.5	43.5	920																																																																																																																																																																																																																																																																																																																																																																																																																																																																																																																																																																																																																																																																																																																																																																																																																																																																																																																																																																																																																																																																																																																																																																					
2.5</																																																																																																																																																																																																																																																																																																																																																																																																																																																																																																																																																																																																																																																																																																																																																																																																																																																																																																																																																																																																																																																																																																																																																																								

Classic LED Lamps

Durată de viață



Life Expectancy Diagram

Lumen Maintenance Diagram - LED classic 60W A60 E27 WW FR ND 1CT/10

