



Essential LEDspot MR16

5W (50W) GU5.3 cap Warm white Non-dimmable Spot

Essential LEDspots MR16 are compatible with most existing fixtures with a GU5.3 socket and are designed as a retrofit replacement for halogen spots. Essential LEDspots MR16 deliver significant energy savings and minimize initial investment.

Product data

General Information	
Cap-Base	GU5.3
Nominal lifetime	15,000 hour(s)
Switching Cycle	50,000
Rated Lifetime (Hours)	15,000 hour(s)
Lighting Technology	LED
Light Technical	
Color Code	827 [CCT of 2700K]
Beam Angle (Nom)	24 degree(s)
Luminous Flux	400 lm
Luminous Intensity (Nom)	1,700 cd
Luminous Efficacy (rated) (Nom)	80.00 lm/W
Color Designation	Warm White (WW)
Correlated Color Temperature (Nom)	2700 K
Color Consistency	<6
Color rendering index (CRI)	80
LLMF At End Of Nominal Lifetime (Nom)	70 %

Operating and Electrical	
Line Frequency	- Hz
Input Frequency	- Hz
Power Consumption	5 W
Lamp Current (Nom)	580 mA
Wattage Equivalent	50 W
Starting Time (Nom)	0.5 s
Warm-up time to 60% light	1 s
Power Factor (Fraction)	0.5
Voltage (Nom)	12 V
Temperature	
T-Case Maximum (Nom)	76 °C
Controls and Dimming	
Dimmable	No
Mechanical and Housing	
Bulb Shape	MR16

Essential LEDspot MR16

Approval and Application

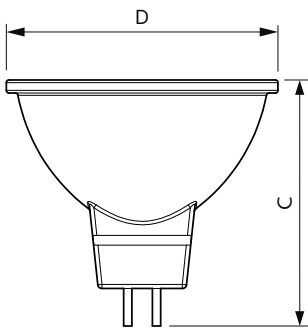
Suitable For Accent Lighting	Yes
Energy Consumption kWh/1000 h	- kWh
EU RoHS compliant	Yes

Product Data

Order product name	5W (50W) GU5.3 cap Warm white Non-dimmable Spot
Full product name	5W (50W) GU5.3 cap Warm white Non-dimmable Spot

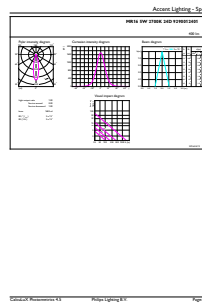
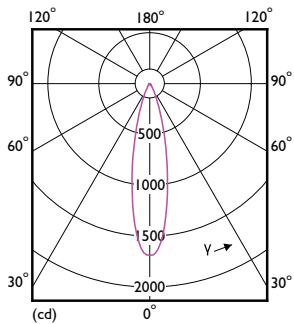
Full product code	871869657955800
Order code	929001240108
Material Nr. (12NC)	929001240108
Numerator - Quantity Per Pack	1
Net Weight (Piece)	0.045 kg
EAN/UPC - Product/Case	8718696579558
Numerator - Packs per outer box	10
EAN/UPC - Case	8718696579565

Dimensional drawing



Product	D	C
5W (50W) GU5.3 cap Warm white Non-dimmable Spot	50 mm	46 mm

Photometric data

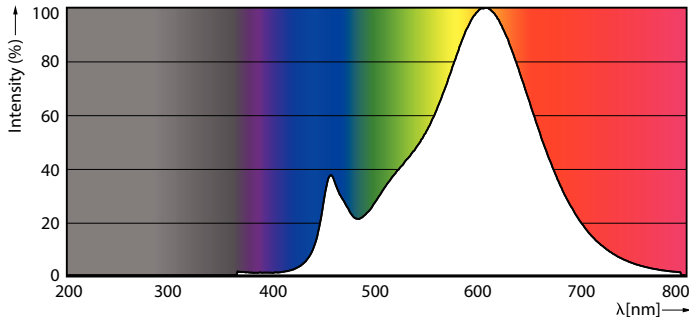


Light Distribution Diagram - Essential LED 5-50W 2700K MR16 24D

Accent Lighting Spots - Essential LED 5-50W 2700K MR16 24D

Essential LEDspot MR16

Photometric data

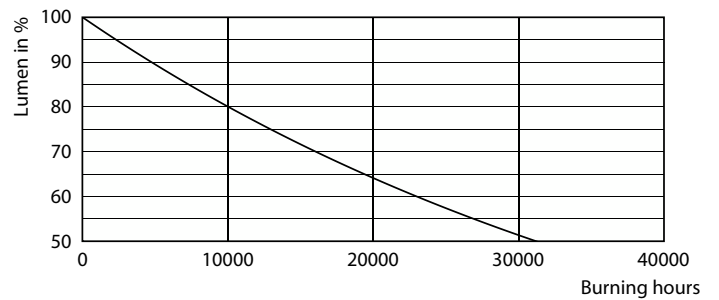


Spectral Power Distribution Colour - Essential LED 5-50W 2700K MR16 24D

Lifetime



Life Expectancy Diagram



Lumen Maintenance Diagram - Essential LED 5-50W 2700K MR16 24D

