



Essential MV MR16 Alu

50 W GU10 Warm white Halogen spot

The Essential MV MR16 Alu is part of the Philips "Value for Money" ranges. It is ideal for professional end-users looking for accent light - without a transformer - to create contrast in shops, hotels and restaurants.

Product data

General Information	
Cap-Base	GU10
Operating Position	UNIVERSAL [Any or Universal (U)]
Nominal lifetime	2,000 hour(s)
Switching Cycle	8,000
Rated Lifetime (Hours)	2,000 hour(s)
Lighting Technology	Halogen

Light Technical	
Beam Angle (Nom)	36 degree(s)
Correlated Color Temperature (Nom)	2800 K
Color rendering index (CRI)	100

Operating and Electrical	
Power Consumption	50 W
Starting Time (Nom)	0.0 s
Voltage (Nom)	230 V

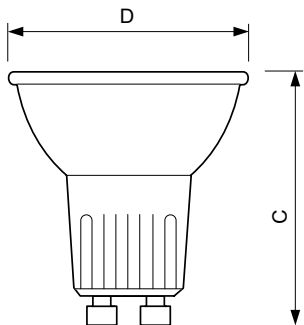
Controls and Dimming	
Dimmable	Yes

Mechanical and Housing	
Bulb Finish	Clear
Bulb Shape	MR16

Product Data	
Order product name	50 W GU10 Warm white Halogen spot
Full product name	50 W GU10 Warm white Halogen spot
Full product code	871829119517700
Order code	925644344203
Material Nr. (12NC)	925644344203
Numerator - Quantity Per Pack	1
Net Weight (Piece)	0.042 kg
EAN/UPC - Product/Case	8718291195177
Numerator - Packs per outer box	50
EAN/UPC - Case	8718291195191

Essential MV MR16 Alu

Dimensional drawing



Product	D (max)	C (max)
50 W GU10 Warm white Halogen spot	51 mm	51 mm

