

Project: _____

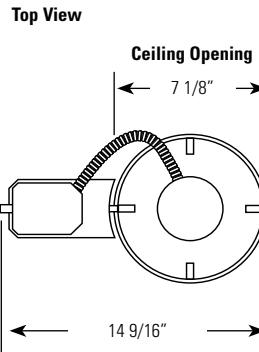
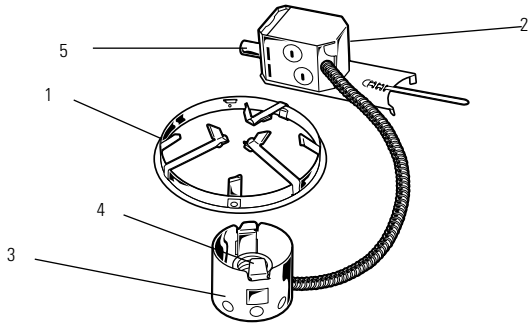
Location: _____

Cat.No: _____

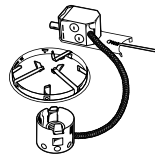
Type: _____

Lamps: _____ Qty: _____

Notes: _____



Frame-in Kit



Reflector Trim



Complete Fixture consists of Reflector Trim & Fram In Kit. Select each separately.

Frame-In Kit Reflector Trims — See Individual Reflector Trim Specification Sheets

1103R	Open Downlight						Recessed Adjustable			Enclosed Diffusers	Wall Washer	Open Wet Location	
	Reflector	Cone	Cross Blade	Basic White	Baffles	Basic	Line Voltage						
	1143	1112	1132	1176WH	1105	1170M1	Line Voltage			1121	1135	1184WH	
	1144	1112NM		1170M1	1105BNM	1171	1127	1129CL	1138	1124			1135WH
	1144CD	1113		1171	1105NM		1127NM	1129CLNM	1138NM	1126			1185
	1145	1113WH			1105WH		1127BK	1129GD	1148	1128			1186
	1146	1113BK			1176		1127BKNM	1129GDNM	1148NM	1134			1186WH
	1146CD	1113BKNM			1179M1		1127CDNM	1129BK		1177SH			
	1149	1113CD			1179WH		1127CD	1129BKNM		1178SH			
	1150	1113CDNM					1127BNM	1129WH		1190			
	1151	1113NM					1127WH						
	1151CD						1129						
		Satin Cone					1129NM						
		1108					1129BKNM						
		1108NM											
		1110											
		1110NM											
						Low Voltage							
						1152	1161	1163					
						1155	1161WH	1164					
						1155WH							
						Eyeball							
						1122	1123	1182					
						1122WH	1123WH						

1103R Lytecaster INC 6 3/4"

Non-IC Remodeler

Features

- 1. Mounting Ring:** .032 (#22 ga.) galvanized steel. Accommodates existing ceilings up to 2" thick. Attaches securely to any type of ceiling material without tools using (3) mounting straps provided. Push-in/twist-out clips hold reflector flush to ceiling. Includes adhesive backed aperture template.
- 2. Junction Box:** 2 1/2" X 2 1/2" X 3 1/2" (21 cu. in.) .032 (#22 ga.) galvanized steel. U.L.listed for 90° C supply wire. Integral cable clamps permit attachment of non-metallic (#12 or #14 ga.) Romex® cable without tools or additional connectors. Attaches to mounting ring without tools.
- 3. Socket Housing:** Impact extruded aluminum or galvanized steel.
- 4. Socket:** Porcelain medium base; nickel plated screw shell. Pre-wired with #18 ga. SF1 (300 VOLT 200° C) leads to junction box.
- 5. Thermal Protector:** Meets NEC and U.L. requirements. Do not install insulation within 3 inches of fixture sides or wiring compartment nor above fixture in such a manner as to entrap heat.

Options & Accessories

Thermal Protector Replacement:	1970
Replacement Clips (Set of 3):	1997

Labels

UL (Suitable for Damp Locations)

Romex® is a registered trademark of General Cable Industries Inc.

