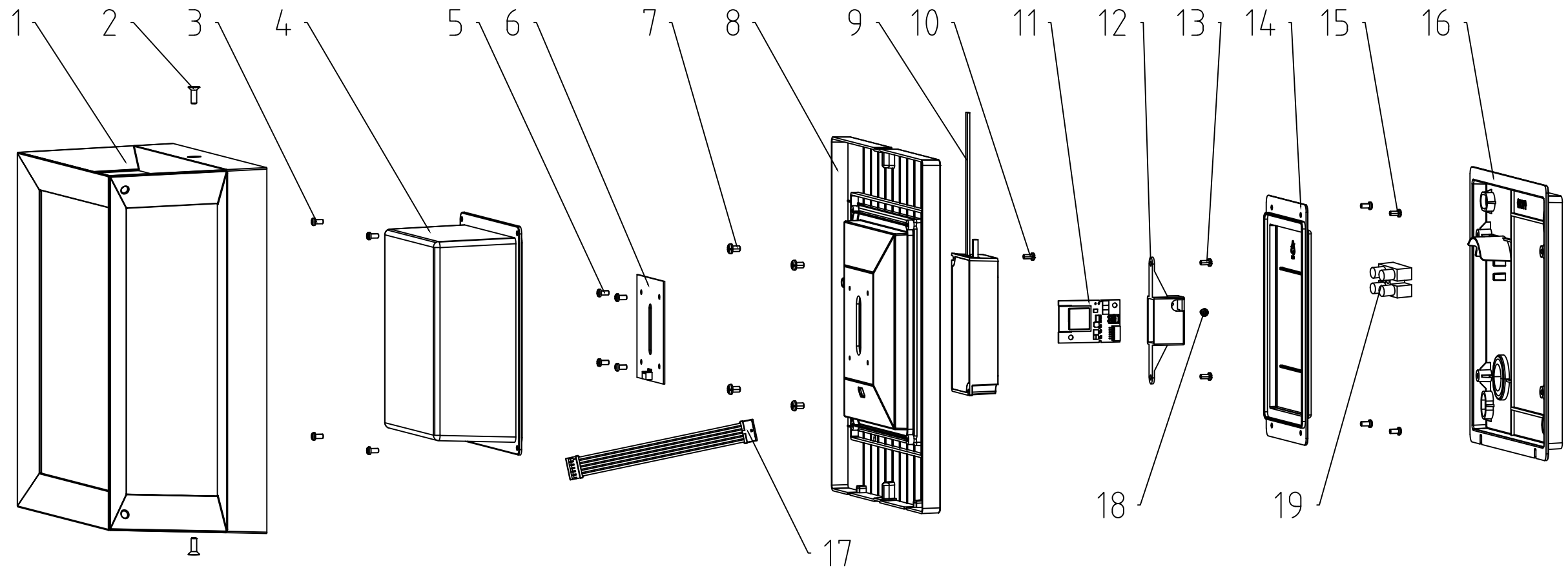


PHILIPS
hue



#	COMPONENT	QTY
1	CAGE	1
2	SCREW	2
3	SCREW	4
4	DIFFUSER	1
5	SCREW	4
6	LIGHT SOURCE - LED MODULE	1
7	SCREW	4
8	REFLECTOR	1
9	CONTROL GEAR - PSU	1
10	SCREW	1
11	LIGHT SOURCE - HUE CONNECT	1
12	BRACKET	1
13	SCREW	2
14	COVER	1
15	SCREW	4
16	BASE	1
17	FLAT CABLE	1
18	SCREW	1
19	TERMINAL BLOCK	1

Warnings

Always make sure the luminaire is detached from the mains socket
Always make sure the DC cable is detached from the power supply
Staring at the operating light source may cause eye injury

#	Disassemble/dismantle steps	Tools needed
a	REMOVE CAGE (1) BY UNSCREWING THE SCREWS (2)	CROSS HEAD SCREW DRIVER
b	REMOVE BASE (16) BY UNSCREWING THE SCREWS (7)	CROSS HEAD SCREW DRIVER
c	REMOVE COVER (14) BY UNSCREWING THE SCREWS (15)	CROSS HEAD SCREW DRIVER
d	REMOVE BRACKET (12) BY UNSCREWING THE SCREWS (13)	CROSS HEAD SCREW DRIVER
e	REMOVE LIGHT SOURCE - HUE CONNECT (11) FROM BRACKET (12) BY UNSCREWING THE SCREW (18)	CROSS HEAD SCREW DRIVER
f	REMOVE FLAT CABLE (17) FROM THE LIGHT SOURCE - HUE CONNECT (11)	-
g	REMOVE WIRES OF THE CONTROL GEAR - PSU (9) FROM THE LIGHT SOURCE - HUE CONNECT (11)	FLATHEAD SCREWDRIVER OR WAGO TOOL #2065
h	REMOVE CONTROL GEAR - PSU (9) BY UNSCREWING THE SCREW (10)	CROSS HEAD SCREW DRIVER
i	REMOVE DIFFUSER (4) BY UNSCREWING THE SCREWS (3)	CROSS HEAD SCREW DRIVER
j	REMOVE LIGHT SOURCE - LED MODULE (6) BY UNSCREWING THE SCREWS (5)	CROSS HEAD SCREW DRIVER

SKU	Color	Country
915005731901	BLACK	EU

STATUS	DESCRIPTION	DESIGN ID
2021-04-12	Econic Hue WACA EU square wall lantern	DOC 12NC
NAME JZ	LOCAL PART ID	SH. 1
CHECKED	DATE	SH. A3-P

CONFIDENTIAL, PROPERTY OF: © 2020 Signify Holding