

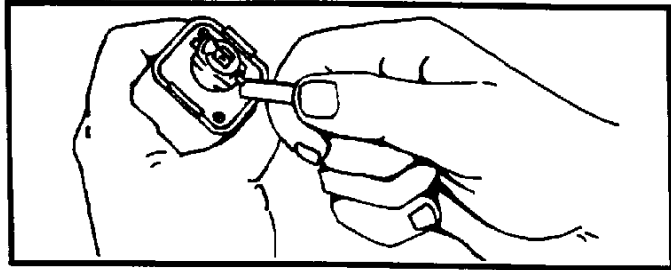
# HALO

## Installation Instructions For L-1730, L-1738 & L-2738

### . OR USE WITH HALO TRACK SYSTEMS ONLY

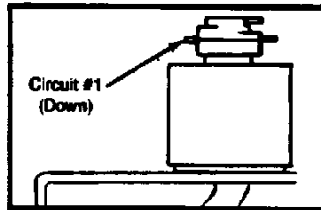
#### To Adjust Halo-2 Series Lampholder

Halo-2 Lampholders can be used with Halo Miniature or Halo-2 Power-Trac systems. An adjustable contact allows you to select the circuit position. Use a narrow blade screwdriver, as shown, to adjust the contact. Lift or lower the contact until it touches the plastic stop of contact assembly. For Circuit #1 move contact to the down position. For Circuit #2 move contact to the up position.



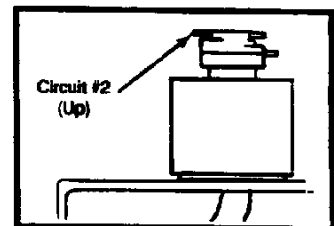
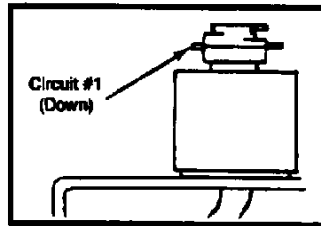
#### To Use Halo-2 Lampholder with Miniature Power-Trac

When using Halo-2 Lampholder with the Miniature Power-Trac System (L650, L651, L652, L653) adjustable contact must be in Circuit #1 (DOWN) position.



#### To Use Halo-2 Lampholder with Halo-2 Power-Trac

When using Halo-2 Lampholder with the Halo-2 Power-Trac System (L640, L641, L642, L643) adjust the contact position of each lampholder to the desired circuit — Circuit #1 (DOWN) or Circuit #2 (UP).

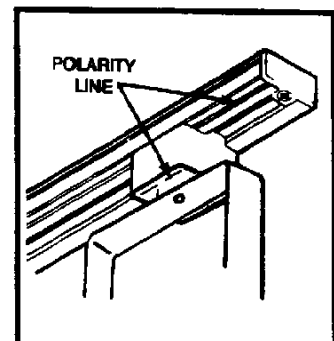
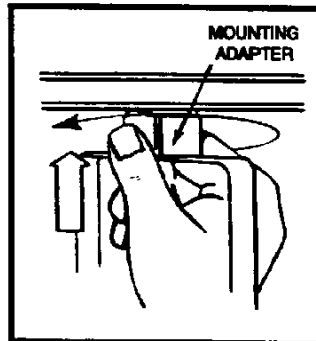


#### To Install Lampholder

Hold lampholder by the mounting adapter. Insert contact head into Power-Trac. Twist mounting adapter approximately ¼ turn (90°) until mounting sleeve tab locks into Power-Trac opening.

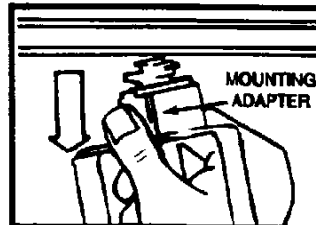
**NOTE:** Forcing mounting adapter in wrong direction may damage the contact assembly! If mounting adapter will not turn easily, twist adapter in opposite direction.

Polarity line on adapter must align with polarity line on Power-Trac for proper installation.



#### To Remove Lampholder

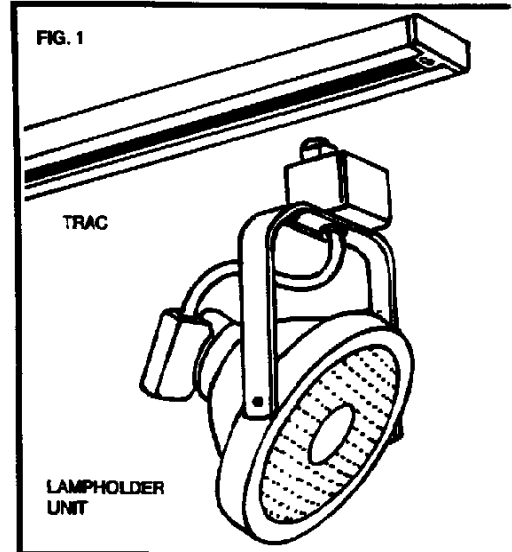
Pull down on mounting adapter sleeve until tab is free of track channel opening. Twist mounting adapter ¼ turn (90°) until contact head is free and remove lampholder from track.



## RE-LAMPING INSTRUCTIONS FOR L-1730, L-1738 & L-2738

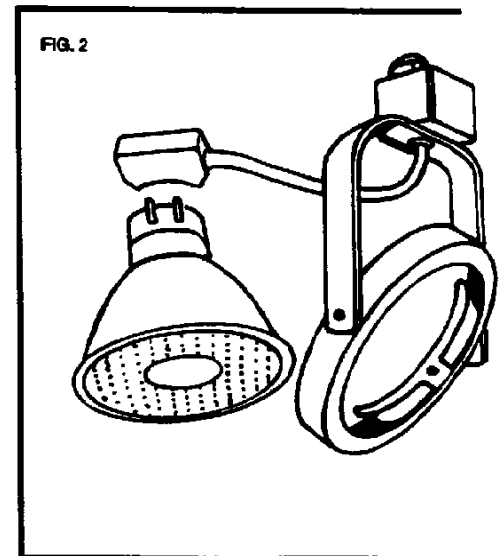
**WARNING:** Before working on trac fixtures be sure to turn off A.C. power or remove fixture from trac.

**Step 1.** Allow unit to cool and then remove from trac.



**Step 2:** Remove lamp from Gimbal Ring.

**Step 3:** L2738: Unplug lamp by pulling straight out. Do not twist. (Fig. 2)  
L-1730 & L-1738: Turn lamp counter-clockwise.



**Step 4:** Place lamp back in Gimbal Ring.