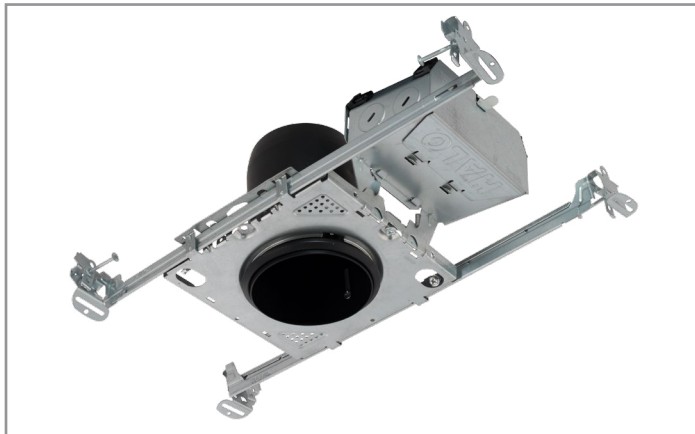


Project		Catalog #		Type	
Prepared by		Notes		Date	



HALO

H35ICAT

3" Shallow Recessed
New Construction Housing
For Integrated LED Trims and Modules

Typical Applications

Residential

Interactive Menu

- Order Information page 2
- Product Warranty

Product Certification



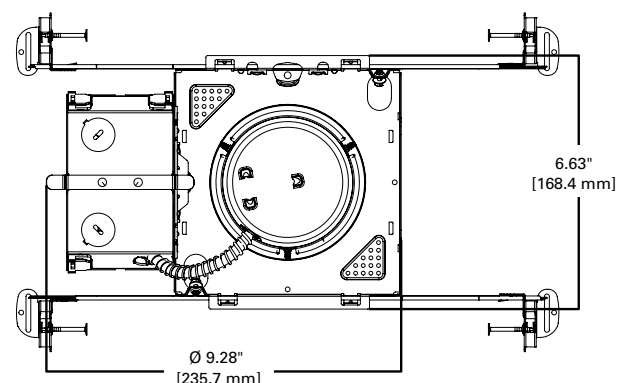
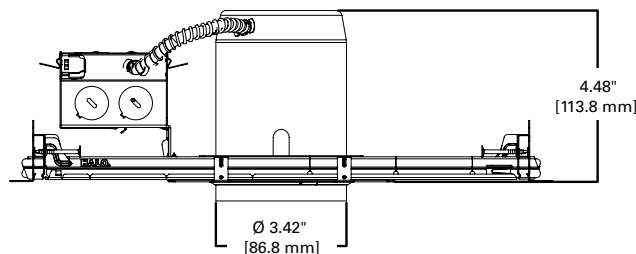
Product Features



Top Product Features

- Suitable for 2x6 residential framing or shallow plenum commercial construction
- Got Nail!™ bar hangers; Pass-N-Thru™ tool-less shortening of bar hangers
- Slide-N-Side™ wire traps; Quick Connect wiring connectors included in junction box
- AIR-TITE™; For use in insulated and non-insulated ceilings
- Use with compatible HALO® LED integrated trims and modules

Dimensional and Mounting Details



Order Information

SAMPLE ORDER NUMBER: **H35ICAT, RL3059FS1EWHR**

A complete luminaire consists of a housing and LED module, order separately.

Housing	Compatible LED Modules
H35ICAT = 3" shallow new construction housing for LED integrated trims or modules	RL3 = 3-Inch all-purpose retrofit LED module RA3 = 3-Inch directional retrofit LED module

Product Specifications

Housing

- Single wall deep drawn aluminum housing painted matte black for a visually dark interior
- Adjusts vertically to accommodate 1/2" to 1-1/4" thick ceilings and locks in position with (3) setscrews
- V notches on plaster lip facilitate use of guide strings or laser lines for precise positioning
- Integral gasket provides for airtight compliance
- Shipped with overspray protector installed
- Housing can be removed from below the ceiling for service or splice inspection

Plaster Frame

- Compact galvanized steel plaster frame with integral bar hanger receivers
- Regressed screw provides positive horizontal bar hanger locking from below the ceiling
- Crimp points also provide for horizontal bar hanger locking

Bar Hangers

- Captive preinstalled Got-Nail™ bar hangers support housing at any point along span
- Pass-N-Thru™ feature adjust from 8" to 24" wide without removal
- Score lines allow "tool-less" shortening for 12" joists
- Captive nail penetrates standard and engineered lumber
- Safety and guidance system prevents snagging, ensures smooth straight nail penetration and allows bar hangers to be easily removed and repositioned
- Leveling flange aligns plaster frame with structure
- Integral clip attaches directly to tee-bar

Junction Box

- Compact galvanized steel junction box with 16in³ internal volume
- Listed for (10) #12 AWG 90° C splice conductors
- (6) 1/2" conduit pry-outs positioned to allow straight conduit runs
- (3) Slide-N-Side™ non-metallic (NM) wire traps allows wiring outside the box
- Accepts 14-2, 14-3, 12-2, 12-3 U.S. and 14-2, 14-3, 12-2 Canadian NM cable
- (3) 4-port push wire nuts with clear caps for quick and reliable mains voltage connections

Connector

- Two-conductor wire mount connector mates with RL3, RA3 family of LED integrated trims.
- **CAUTION:** verify LED module input voltage is compatible with the input voltage of the housing. If uncertain, consult a qualified electrician

Code Compliance

- Type IC inherently protected, suitable for direct contact to air permeable insulation and cULus listed for damp locations
- Not for use in direct contact with spray foam insulation, consult NEMA LSD57-2013
- Wet location listed in covered ceilings and IP44 certified with select trims
- Airtight per ASTM-E283
- Can be used for State of California Title 24 high efficacy luminaire compliance
- Suitable for use in clothes closets when installed in accordance with the NEC 410.16 spacing requirements
- Contains no mercury or lead and RoHS compliant

Warranty

- Five-year limited warranty, consult website for details www.cooperlighting.com