

6-INCH INCANDESCENT NEW CONSTRUCTION OR REMODEL NON - IC



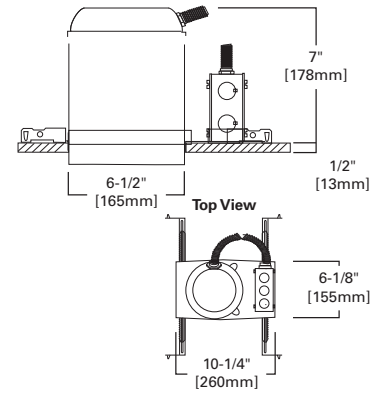
H7TCP

FEATURES

- Boat shaped plaster frame design for new construction or remodel
- Compliant to Chicago Plenum construction
- Die-formed housing and plaster frame
- Housing may be removed from plaster frame for junction box access
- Thermally protected

Compliances may not apply to all product configurations. Please consult the product spec sheet for compliance details.

COMPLIANCES: UL/cUL Listed - Wet Location, UL/cUL Listed - Damp Location, UL/cUL Listed 1598 Luminaire, UL/cUL Listed for Feed Through, Chicago CCEA



ORDERING INFORMATION: ORDER HOUSING AND TRIMS SEPARATELY^Δ

SAMPLE NUMBER: H7TCP - 310W

Housing

H7TCP=6" Aperture, New Construction or Remodel, Non-IC, Chicago Plenum Rated, 120V Line Voltage

Trims

Adjustables

376 Adjustable Gimbal - 30°, 75W PAR30, OD: 7-1/4" [184mm]
 376P=White Trim Ring, Black Baffle
 376W=White Trim Ring, White Baffle

378 Adjustable with Splay - 25°, 75W PAR30, OD: 7-1/4" [184mm]
 378=White Trim with Clear Specular Splay
 378P=White Trim with White Splay Trim

417 Coilex® Baffle Eyeball - 30° Tilt, 65W BR30, 75W R30, OD: 8" [203mm]
 417P=White Trim and Eyeball with Black Coilex® Baffle
 417PB=Polished Brass Trim and Eyeball with Black Coilex® Baffle
 417W=White Trim and Eyeball with White Coilex® Baffle

419 Regressed Eyeball with Splay - 25° Tilt, 75W PAR30, OD: 7-1/4" [184mm]
 419P=White Trim and Eyeball with White Splay

420 Regressed Eyeball - 30° Tilt, 65W BR30, 75W PAR30L, 75W PAR30, OD: 7-1/4" [184mm]
 420P=White Trim with White Eyeball and Black Baffle
 420PB=Polished Brass Trim with Polished Brass Eyeball and Black Baffle
 420W=White Trim with White Eyeball and White Baffle

478 Adjustable with Splay - 25° Tilt, 90W PAR38, OD: 7-1/4" [184mm]
 478=White Trim with Clear Specular Splay
 478P=White Trim with White Splay

74 Eyeball - 30° Tilt, 75W PAR30, OD: 8" [203mm]
 74P=White Trim and Eyeball

76 Adjustable Gimbal- 30° Tilt screw base lamp, - 50° Tilt side prong lamp, 150W PAR38 [side prong lamp recommended], OD: 8" [203mm]
 76P=White Trim with Gimbal Ring

77 Adjustable Eyeball - 30° Tilt, 50W R20, 50W PAR20, OD: 8" [203mm]
 77P=White Trim with White Eyeball

78 Eyeball - 30° Tilt, 65W BR30, 75W R30, 75W PAR30, 75W PAR30L, OD: 8" [203mm]
 78B=Satin Brass Trim with Satin Brass Eyeball
 78P=White Trim with White Eyeball
 78PAT=White Trim with White Eyeball - AIR-TITE™ Trim
 78PB=Polished Brass Trim with Polished Brass Eyeball
 78SN=Satin Nickel Trim with Satin Nickel Eyeball
 78TBZ=Tuscan Bronze Trim with Tuscan Bronze Eyeball

90 Double Bubble Adjustable - 60° Tilt, 250W PAR38, OD: 8" [203mm]
 90P=White Trim and Eyeball

NOTES: Δ UL/cUL Listed for Wet Location with select trims.

Baffles

30 Super Trim™ AIR-TITE™ Baffle, 100W R30, 150W PAR38, 75W PAR30, 75W PAR30L, 85W BR30, 100W A19, OD: 7-1/4" [184mm]

30PAT=White Trim with Black Baffle and Clear Reflector
 30SNAT=Satin Nickel Trim with Satin Nickel Baffle and Reflector
 30TBZAT=Tuscan Bronze Trim with Tuscan Bronze Baffle and Reflector
 30WAT=White Trim with White Baffle and White Reflector
 30WATH=White Trim with White Baffle and Clear Reflector

310 Coilex® Baffle, 65W BR30, 75W R30, 75W PAR30, 310W, P, SN, TBZ - OD: 7-1/4" [184mm], 310WG, PG - OD: 8" [203mm]
 310P=White Trim with Black Coilex® Baffle
 310PG=Wide White Trim Ring with Black Coilex® Baffle
 310SN=Satin Nickel Trim with Black Coilex® Baffle
 310TBZ=Tuscan Bronze Trim with Black Coilex® Baffle
 310W=White Trim with White Coilex® Baffle
 310WG=Wide White Trim Ring with White Coilex® Baffle

312 Coilex® Baffle, 65W BR30, 75W R30, 75W PAR30, OD: 7-1/4" [184mm]
 312P=White Trim with Black Baffle
 312W=White Trim with White Baffle

353 Metal Baffle, 65W BR30, 75W PAR30, 75W R30, OD: 7-1/4" [184mm]
 353SN=Satin Nickel Trim with Satin Nickel Baffle
 353TBZ=Tuscan Bronze Trim with Tuscan Bronze Baffle

410 Coilex® Baffle, 150W PAR38, 120W BR40, 150W R40, OD: 7-1/4" [184mm]
 410P=White Trim with Black Baffle
 410W=White Trim with White Baffle (410WG - White Trim with White Baffle and 8" O.D. Trim Ring)

Lenses and Diffusers

172 Dome Lens with Reflector, 75W PAR30, 100W A19, OD: 7-3/4" [197mm]

172PS=White Trim with Frosted Glass Dome, Wet Location Listed and AIR-TITE™
 172SNS=Satin Nickel Trim with Frosted Glass Dome, Wet Location Listed and AIR-TITE™
 172TBZS=Tuscan Bronze Trim with Frosted Glass Dome, Wet Location Listed and AIR-TITE™

416 Regressed Diffuser, 60W A19, OD: 7-1/4" [184mm]
 416P=White Trim and Regressed Diffuser, Black Baffle
 416W=White Trim and Regressed Diffuser, White Baffle

70 Albalite Lens, 60W A19, OD: 8" [203mm]
 70P=White Trim with Frosted Albalite Glass Lens
 70PS=White Trim with Frosted Albalite Glass Lens, Wet Location Listed

71 Drop Opal Lens, 60W A19, OD: 8" [203mm]
 71P=White Trim with Drop Opal Glass Lens
 71PS=White Trim with Drop Opal Glass Lens, Wet Location Listed

73 Fresnel Lens, 60W A19, OD: 8" [203mm]
 73P=White Trim with Glass Fresnel Lens
 73PS=White Trim with Glass Fresnel Glass Lens, Wet Location Listed

75 Diffuser, 60W A19, OD: 7-3/4" [197mm]
 75=All Glass Diffuser

Specifications and dimensions subject to change without notice. Consult your Cooper Lighting Solutions Representative or visit www.cooperlighting.com for available options, accessories and ordering information.

ORDERING INFORMATION: ORDER HOUSING AND TRIMS SEPARATELY^A

SAMPLE NUMBER: H7TCP - 310W

Trims Continued

Low Voltage (Transformer Included)

1412 Low Voltage Adjustable Spot - 30° Tilt, 50W 12V MR16, OD: 7-1/4" [184mm]

1412P=Black Trim with Black Baffle and Lampholder
1412W=White Trim with White Baffle and Lampholder

1416 Low Voltage Baffle - 30° Tilt, 50W 12V MR16, OD: 7-1/4" [184mm]

1416BA=White Trim with Black Baffle
1416W=White Trim with White Baffle

1416 Low Voltage Specular Reflector - 30° Tilt, 50W 12V MR16, OD: 7-1/4" [184mm]

1416C=White Trim with Clear Specular Reflector

1417 Low Voltage Eyeball with Baffle - 30° Tilt, 50W 12V MR16, OD: 7-1/4" [184mm]

1417P=White Trim with White Eyeball and Black Baffle (Low Voltage Transformer Included)
1417W=White Trim with White Eyeball and White Baffle (Low Voltage Transformer Included)

1450 Low Voltage Slot Aperture - 30° Tilt, 50W 12V MR16, OD: 7-1/4" [184mm]

1450P=White Slot Aperture Trim

1475 Low Voltage Adjustable Accent - 30° Tilt, 50W 12V MR16, OD: 7-1/4" [184mm]

1475P=White Trim with Black Baffle
1475W=White Trim with White Baffle

1479 Low Voltage Pinhole Trim, 50W 12V MR16, OD: 8" [203mm]

1479P=White Trim with Black Baffle
1479W=White Trim with White Baffle

Open

300 Open Trim with Socket Support, 65W BR30, 75W PAR30, 75W PAR30L, 75W R30, OD: 7-1/4" [184mm]

300P=White Trim Ring
300SN=Satin Nickel Trim Ring
300TBZ=Tuscan Bronze Trim Ring

301 Open Trim, 65W BR30, 75W R30, 75W PAR30, OD: 7-1/4" [184mm]

301P=White Trim Ring
301PB=Polished Brass Trim Ring
301SN=Satin Nickel Trim Ring
301TBZ=Tuscan Bronze Trim Ring

328 White Splay Trim, 65W BR30, 75W R30, 75W PAR30, OD: 7-3/4" [197mm]

328P=White Splay Trim

401 Open Trim, 120W BR40, 150W R40, OD: 8" [203mm]

401AL=Satin Aluminum Trim
401P=White Trim Ring
401PB=Polished Brass Trim Ring

428 White Splay Trim, 120W BR40, 150W R40, OD: 7-3/4" [197mm]

428P=White Splay Trim

79 Pinhole Trim, 50W R20, OD: 8" [203mm]

79P=White Trim Ring

Reflectors

30 Super Trim™ AIR-TITE™ Reflector, 75W PAR30, 75W PAR30L, 85W BR30, 100W R30, 100W A19, OD: 7-1/4" [184mm]

30CAT=White Trim with Clear Specular Reflector
30HAT=White Trim with Haze Reflector
30RGAT=White Trim with Gold Reflector

30SBAT Super Trim™ AIR-TITE™ Reflector, 50W PAR30, 75W PAR30, 100W R30, 85W BR30, 150W R40, 120W BR40, 100W A19, 150W PAR38, 150W A21, OD: 7-1/4" [184mm]

30SBAT=Black Specular Reflector

405 Specular Reflector, 150W A21, OD: 7-1/4" [184mm]

405CG=White Trim with Champagne Gold Reflector
405H=White Trim with Haze Reflector
405RG=White Trim with Residential Gold Reflector
405SC=White Trim with Specular Clear Reflector

4051 Self Flanged White Reflector, 150W A21, OD: 7-1/4" [184mm]

4051P=White Self Flanged Reflector

426 Reflector Cone, 65W BR30, 75W R30, 75W PAR30, 120W BR40, 150W R40, 150W PAR38, OD: 7-1/4" [184mm]

426=White Trim Ring with Clear Specular Reflector Cone
426CG=White Trim with Champagne Gold Reflector Cone
426H=White Trim with Haze Reflector Cone
426MB=White Trim with Specular Black Reflector Cone
426RG=White Trim with Residential Gold Reflector Cone
426SN=Satin Nickel Trim with Satin Nickel Reflector Cone
426TBZ=Tuscan Bronze Trim with Tuscan Bronze Reflector Cone

4261 Self Flange White Reflector Cone, 65W BR30, 75W R30, 75W PAR30, 120W BR40, 150W R40, 150W PAR38, OD: 7-1/4" [184mm]

4261P=White Self Flanged Reflector Cone

429 Dayform White Cone, 65W BR30, 75W R30, OD: 7-1/4" [184mm]

429P=White Trim and Splay Reflector

Wall Wash

303 Wall Wash, 60W A19, OD: 8" [203mm]

303P=White Trim and Scoop

424 Wall Wash / Reflector Downlight, 100W A19, OD: 7-1/4" [184mm]

424P=White Trim Ring

425 Wall Wash with Coilex® Baffle and Scoop Reflector, 60W A19, OD: 7-1/4" [184mm]

425P=White Trim with Black Baffle
425W=White Trim with White Baffle

430 Wall Wash with Baffle and Full Reflector, 90W TB19, 100W A19, 100W BT15, 100W MB19, OD: 7-1/4" [184mm]

430P=White Trim with Black Baffle
430W=White Trim with White Baffle

Accessories

Designer Trim Rings

See accessories section for compatible trims.

TRM6C=Chrome
TRM6MB=Black Metal
TRM6P=White Metal
TRM6SN=Satin Nickel
TRM6TBZ=Tuscan Bronze
TRM7MB=Black Plastic

Oversize Trim Rings

For use when ceiling opening is cut too large. See accessories section for compatible trims.

OT400P=6" I.D. x 9-1/4" O.D., Oversized White Metal Trim Ring (May be used behind standard Halo trims rings.)
OT403P=6" I.D. x 8" O.D. Oversized White Plastic Trim Ring

R/PAR Aiming Mechanism

30° Tilt, 358° Rotation

H930=R/PAR Lamp Aiming Accessory for 310 and 426 Trims (Allows 30° tilt and 358° rotation. 50W PAR30.)

Transformer

H277=Steps 277V Line Voltage Down to 120V Fixture Operating Voltage, 300VA max., for Use with Non-IC Housings

NOTES: ^A UL/cUL Listed for Wet Location with select trims.