

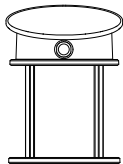
PHILIPS

Geril Ultra Efficient
9290046330
9290046331

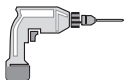


User manual
Benutzerhandbuch
Notice d'emploi
Manual de usuario
Manual do usuário
Manuale d'uso
Gebruiksaanwijzing

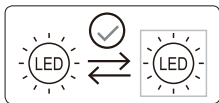
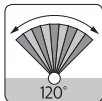
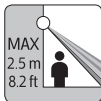
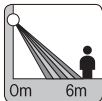
Incl.

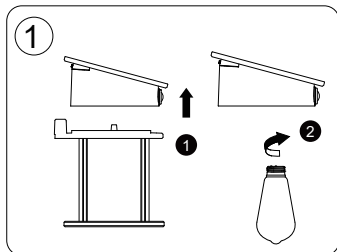
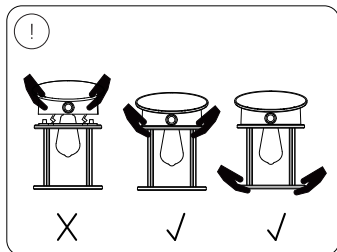


Excl.



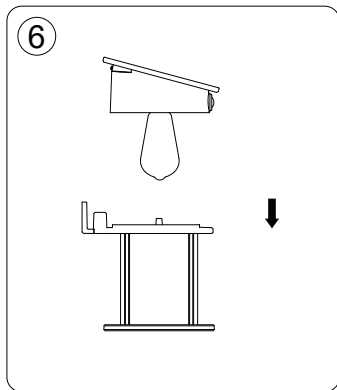
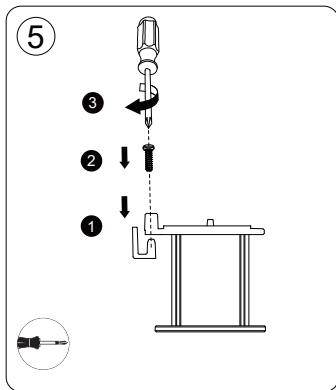
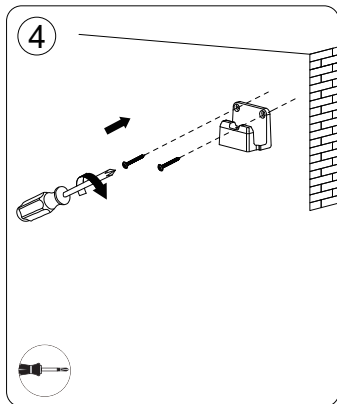
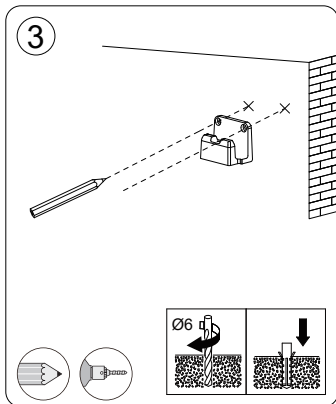
IP44



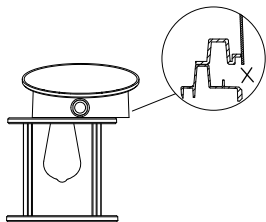
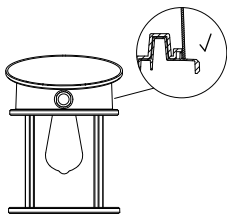
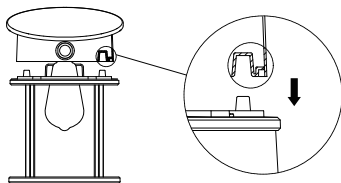


2

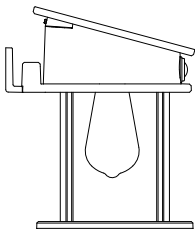
<p>OFF AUTO ON</p>	<p>✗</p>
<p>OFF AUTO ON</p>	<p>☹</p> <p>OFF</p>
<p>OFF AUTO ON</p>	<p>☹</p> <p>OFF</p>
<p>OFF AUTO ON</p>	<p>☀</p> <p>ON</p>
<p>OFF AUTO ON</p>	<p>0H 10H</p> <p>ON</p>
<p>OFF AUTO ON</p>	<p>10H</p> <p>OFF</p>
<p>OFF AUTO ON</p>	<p>☀</p> <p>ON</p>



7



8

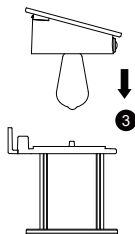
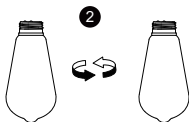
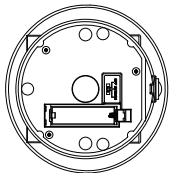
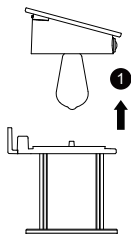


For glass/sensor/solar panel replacement

☎ 00800-7445 4775

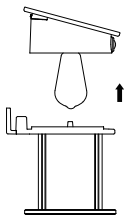


Replace Bulb

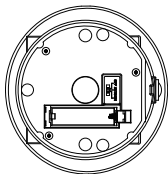


Replace Battery

①



②



①



②

③

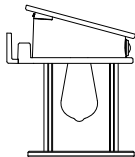
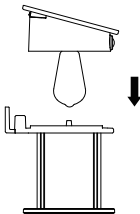


④



18650/3.6-3.7V Li-ion/MIN2600mAh

③





Signify Commercial UK Limited
Unit 3, Guildford Business Park,
Guildford, Surrey, GU2 8XG, UK

Signify
I.B.R.S. / C.C.R.I. Numéro 10461
5600 VB Eindhoven,
the Netherlands
☎00800-74454775

Philips and the Philips Shield Emblem are registered trademarks
of Koninklijke Philips N.V. and are used under license

3241 662 15101
www.philips.com/lighting

© 2024 Signify Holding

ignify