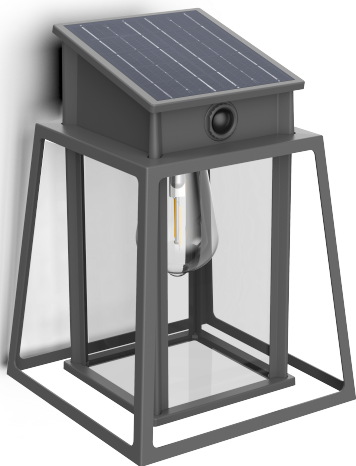


PHILIPS

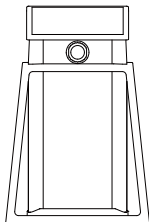
Lysin Ultra Efficient
9290046328
9290046329



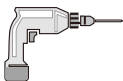
User manual
Benutzerhandbuch
Notice d'emploi
Manual de usuario
Manual do usuário
Manuale d'uso
Gebruiksaanwijzing

Incl.

A



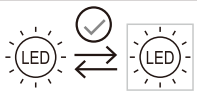
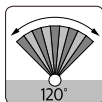
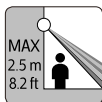
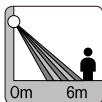
Excl.

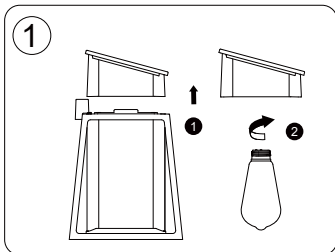
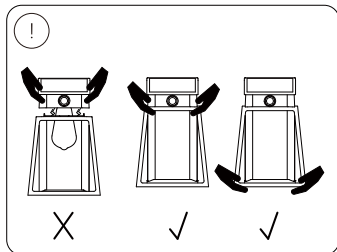


B



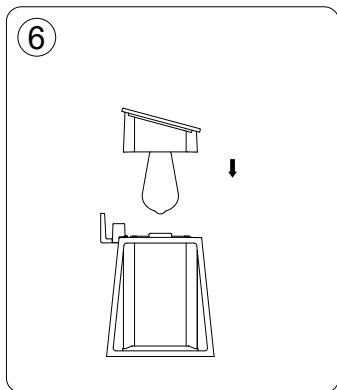
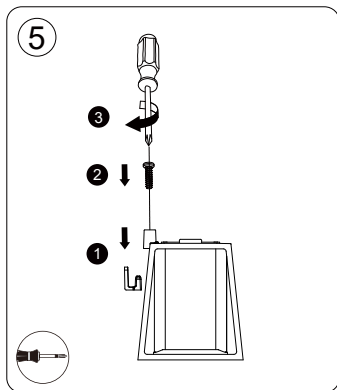
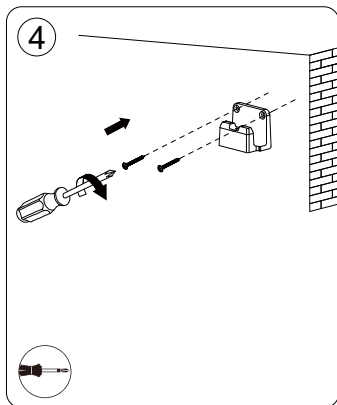
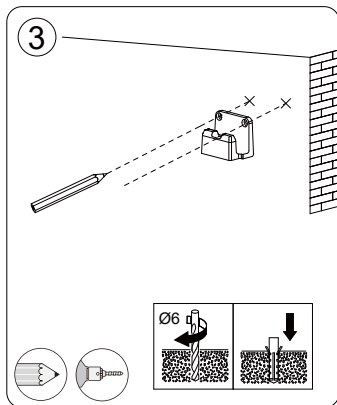
IP44



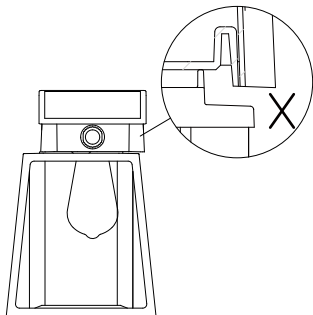
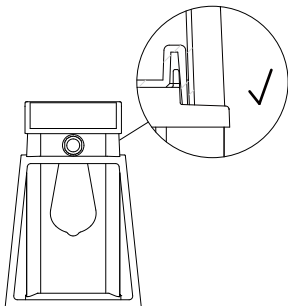
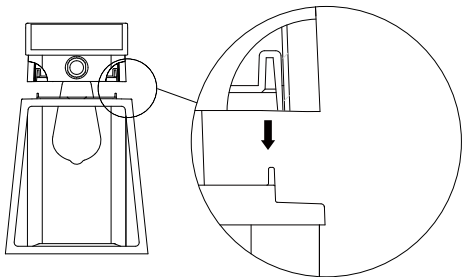


2

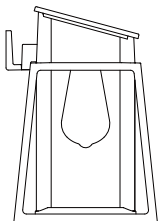
<p>OFF AUTO ON</p>	<p>⊗</p>	<p>⊘</p>
<p>OFF AUTO ON</p>	<p>OFF</p>	<p>OFF</p>
<p>OFF AUTO ON</p>	<p>OFF</p>	<p>ON</p>
<p>OFF AUTO ON</p>	<p>0H 10H</p> <p>ON</p>	<p>ON</p>
<p>10H</p> <p>OFF</p>	<p>ON</p>	



7



8

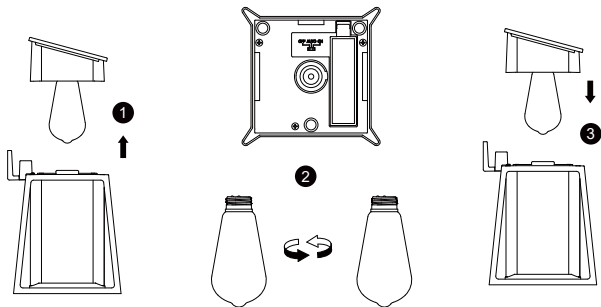


For glass/sensor/solar panel replacement

☎ 00800-7445 4775

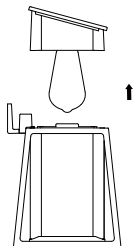


Replace Bulb

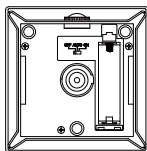


Replace Battery

①



②



①



②

③

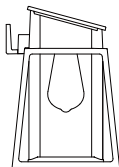
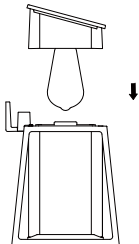


④



18650/3.6-3.7V Li-ion/MIN2600mAh

③





Signify Commercial UK Limited
Unit 3, Guildford Business Park,
Guildford, Surrey, GU2 8XG, UK

Signify
I.B.R.S. / C.C.R.I. Numéro 10461
5600 VB Eindhoven,
the Netherlands
☎00800-74454775

Philips and the Philips Shield Emblem are registered trademarks
of Koninklijke Philips N.V. and are used under license

3241 662 15091
www.philips.com/lighting

© 2024 Signify Holding

The Signify logo, which consists of a stylized 'S' inside a circle followed by the word "signify" in a lowercase, sans-serif font.