

# PHILIPS

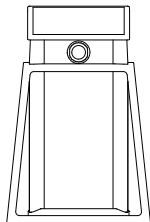
Lysin Ultra Efficient  
9290046328  
9290046329



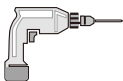
User manual  
Benutzerhandbuch  
Notice d'emploi  
Manual de usuario  
Manual do usuário  
Manuale d'uso  
Gebruiksaanwijzing

Incl.

**A**



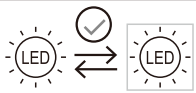
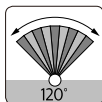
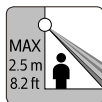
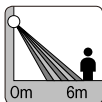
Excl.

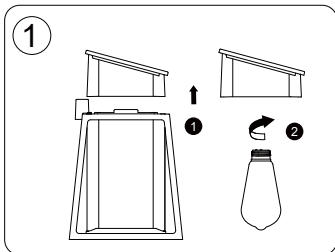
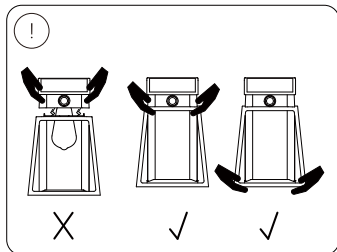


**B**



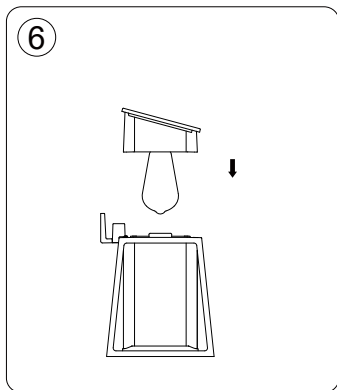
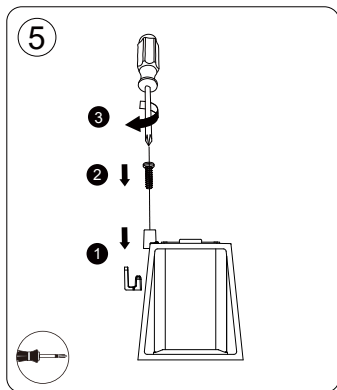
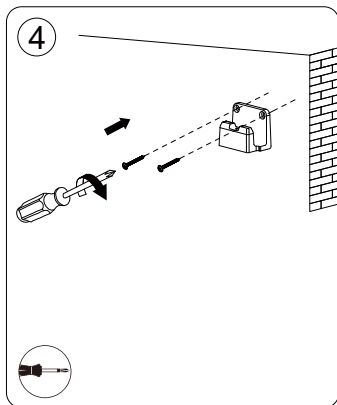
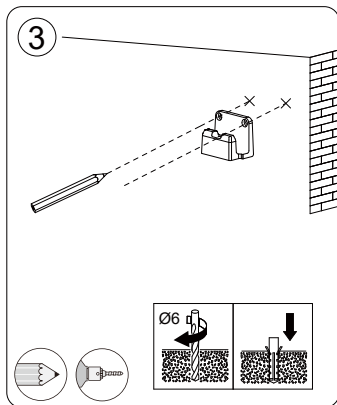
IP44





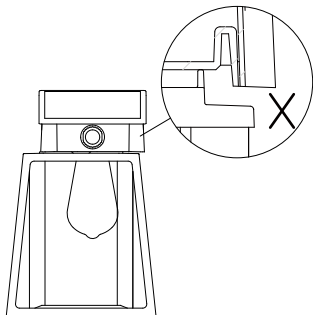
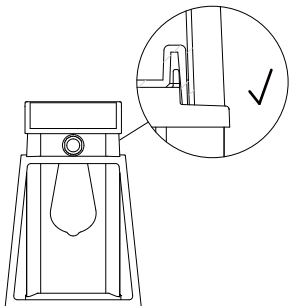
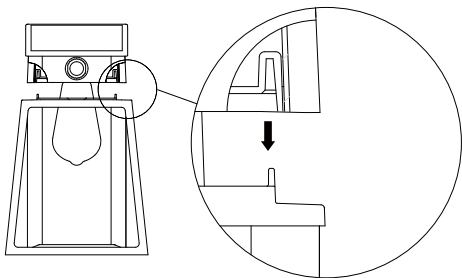
2

<p>OFF AUTO ON</p>	<p>⊗</p>	<p>⊘</p>
<p>OFF AUTO ON</p>	<p>⬤</p> <p>OFF</p>	<p>⬤</p> <p>OFF</p>
<p>OFF AUTO ON</p>	<p>⬤</p> <p>OFF</p>	<p>⬤</p> <p>ON</p>
<p>OFF AUTO ON</p>	<p>0H 10H</p> <p>ON</p>	<p>⬤</p> <p>ON</p>
<p>10H</p> <p>OFF</p>	<p>⬤</p> <p>ON</p>	

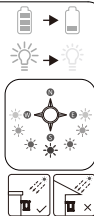
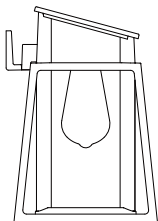




7



8

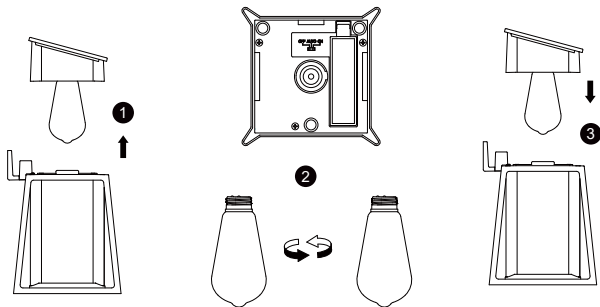


For glass/sensor/solar panel replacement

☎ 00800-7445 4775

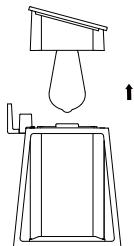


Replace Bulb

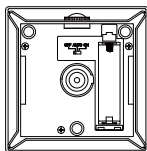


# Replace Battery

①



②



①



②

③

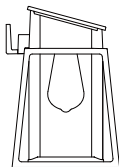
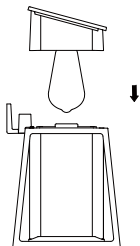


④



18650/3.6-3.7V Li-ion/MIN2600mAh

③





Signify Commercial UK Limited  
Unit 3, Guildford Business Park,  
Guildford, Surrey, GU2 8XG, UK

Signify  
I.B.R.S. / C.C.R.I. Numéro 10461  
5600 VB Eindhoven,  
the Netherlands  
☎00800-74454775

Philips and the Philips Shield Emblem are registered trademarks  
of Koninklijke Philips N.V. and are used under license

3241 662 15091  
[www.philips.com/lighting](http://www.philips.com/lighting)

© 2024 Signify Holding

**signify**