

# PHILIPS

Geril Ultra Efficient  
9290046326  
9290046327



User manual  
Benutzerhandbuch  
Notice d'emploi  
Manual de usuario  
Manual do usuário  
Manuale d'uso  
Gebruiksaanwijzing

Incl.

**A**



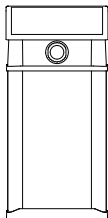
x2



x2



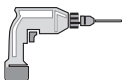
x1



**B**



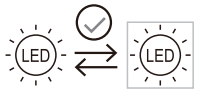
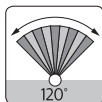
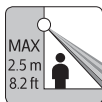
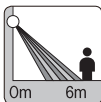
Excl.

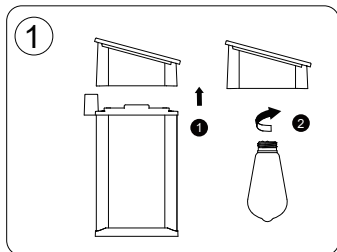
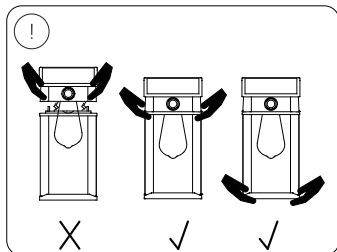


**B**



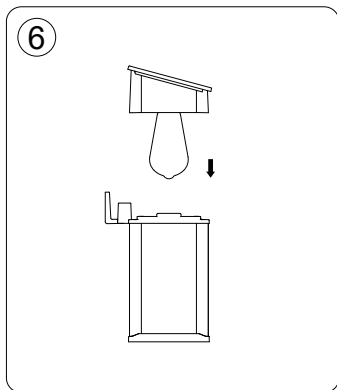
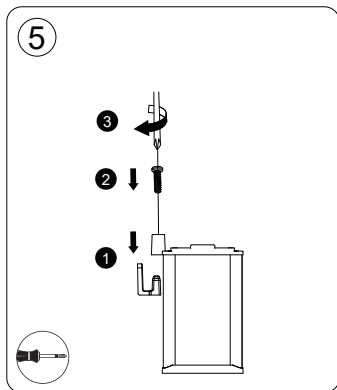
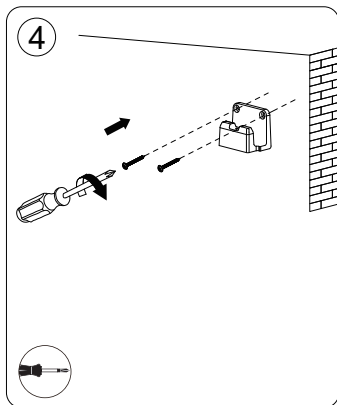
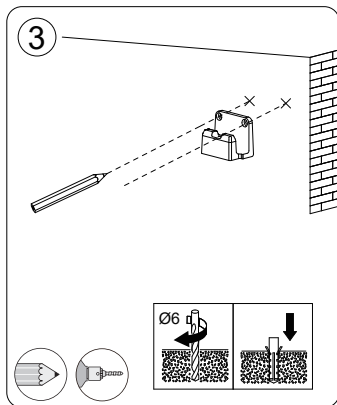
IP44



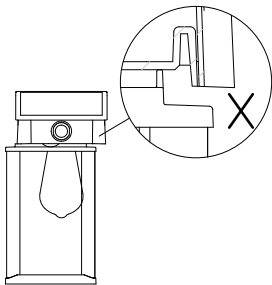
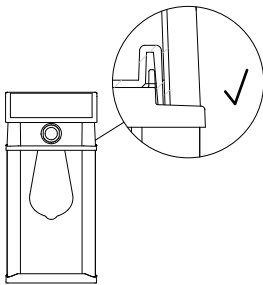
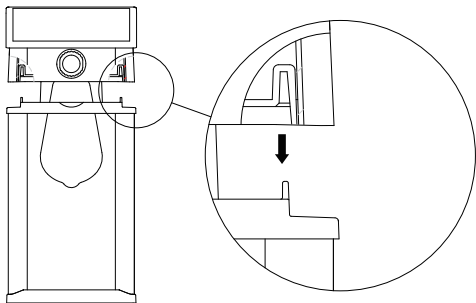


2

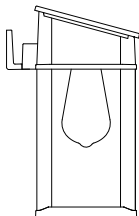
<p>OFF AUTO ON</p>	<p>×</p>	
<p>OFF AUTO ON</p>	<p>OFF</p>	<p>OFF</p>
<p>OFF AUTO ON</p>	<p>OFF</p>	<p>ON</p>
<p>OFF AUTO ON</p>	<p>0H 10H</p> <p>ON</p>	<p>ON</p>
<p>10H</p>	<p>OFF</p>	<p>ON</p>



7



8

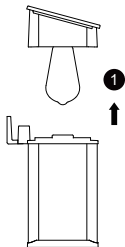


For glass/sensor/solar panel replacement

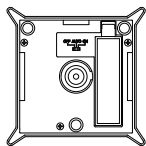
☎ 00800-7445 4775



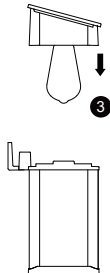
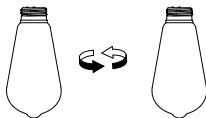
Replace Bulb



1



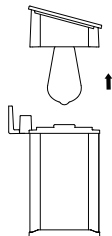
2



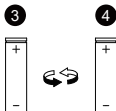
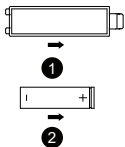
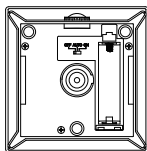
3

# Replace Battery

①

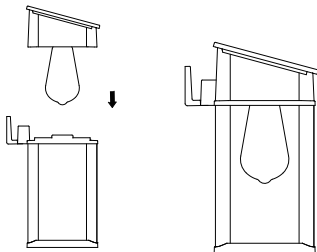


②



18650/3.6-3.7V Li-ion/MIN2600mAh

③





Signify Commercial UK Limited  
Unit 3, Guildford Business Park,  
Guildford, Surrey, GU2 8XG, UK

Signify  
I.B.R.S. / C.C.R.I. Numéro 10461  
5600 VB Eindhoven,  
the Netherlands  
☎00800-74454775

Philips and the Philips Shield Emblem are registered trademarks  
of Koninklijke Philips N.V. and are used under license

3241 662 15081  
[www.philips.com/lighting](http://www.philips.com/lighting)

© 2024 Signify Holding

 **signify**