

PHILIPS

Kinno IR
9290041414



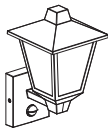
User manual
Benutzerhandbuch
Notice d'emploi
Manual de usuario
Manual do usuário
Manuale d'uso
Gebruiksaanwijzing

Incl.

A



B



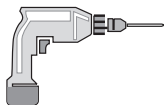
x2



x2

ST4.2*30mm

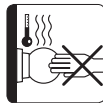
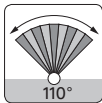
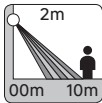
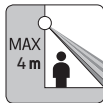
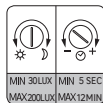
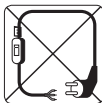
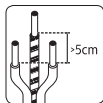
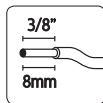
Excl.

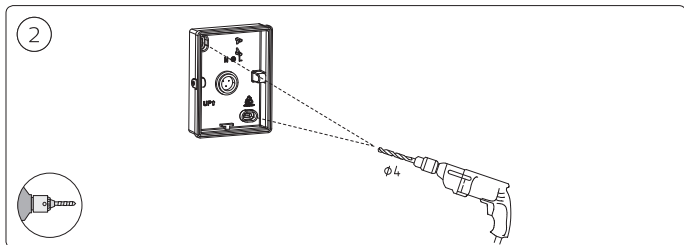
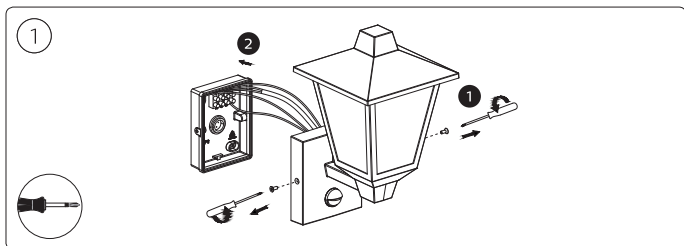
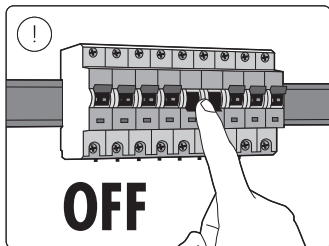
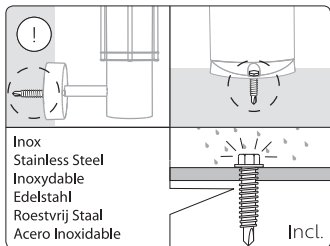


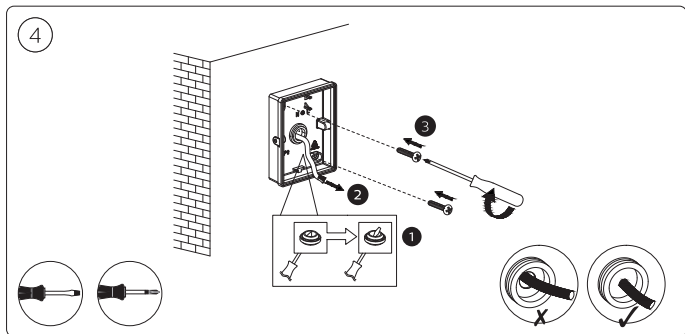
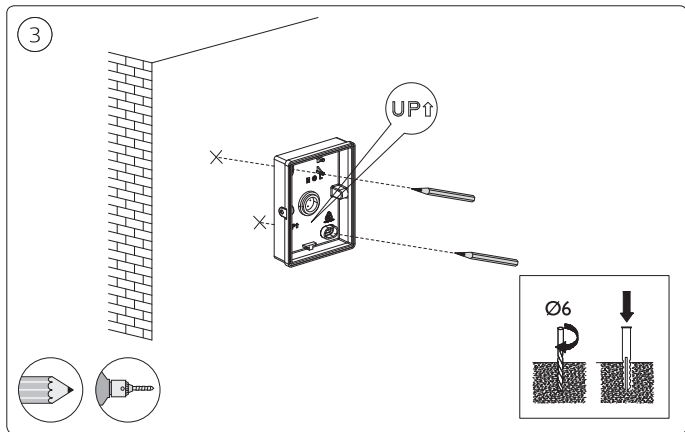
B

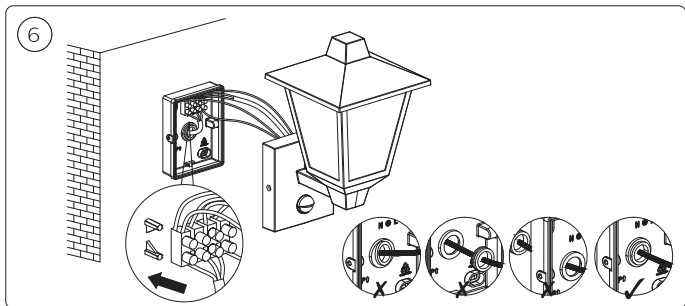
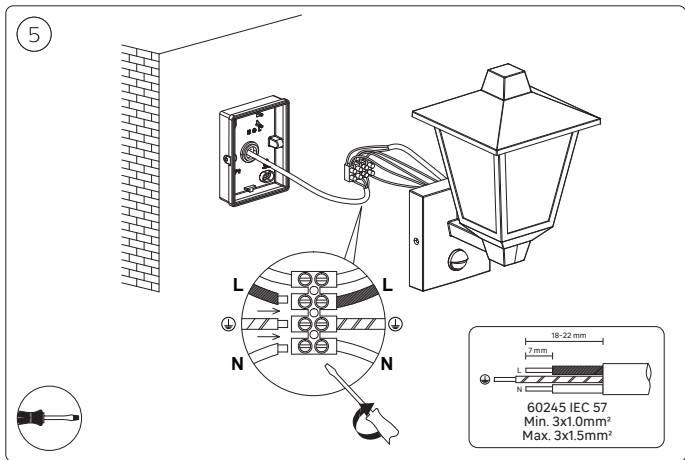


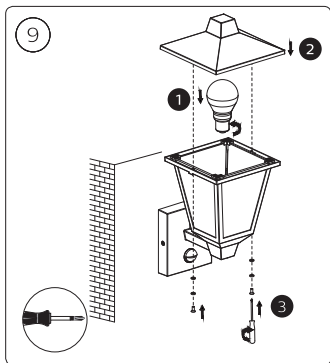
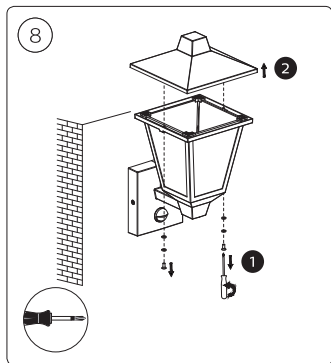
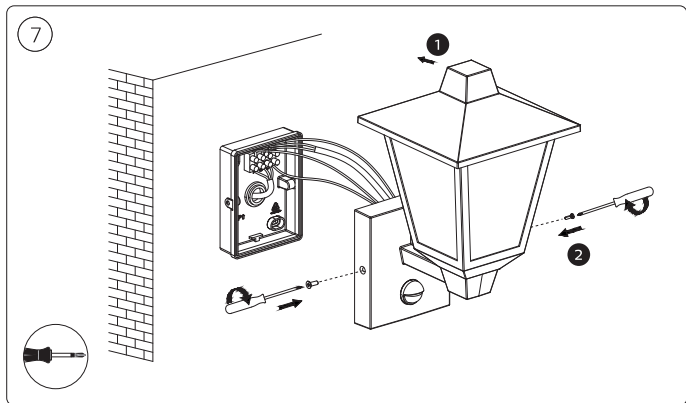
IP44



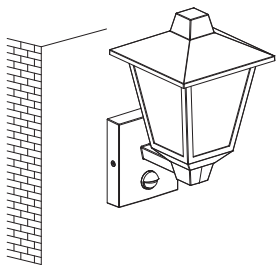




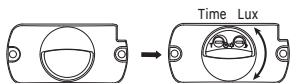




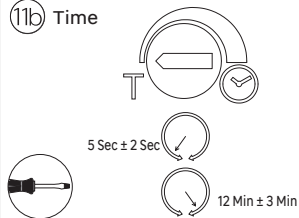
10



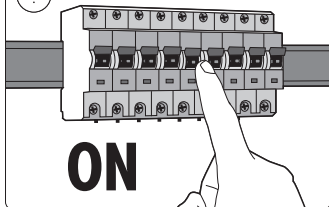
11a



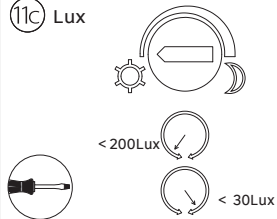
11b Time



!



11c Lux





Signify Commercial UK Limited
Unit 3, Guildford Business Park,
Guildford, Surrey, GU2 8XG, UK

Signify
B.R.S. / C.C.R.I. Numéro 10461
600 VB Eindhoven,
the Netherlands
☎00800-74454775

Philips and the Philips Shield Emblem are registered trademarks
of Koninklijke Philips N.V. and are used under license

3241 662 13391
www.philips.com/lighting

© 2024 Signify Holding

The Signify logo, which consists of a stylized 'S' inside a circle followed by the word "signify" in a lowercase, sans-serif font.