

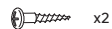
PHILIPS

Otis Ultra Efficient
9290041411



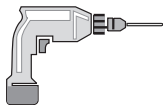
User manual
Benutzerhandbuch
Notice d'emploi
Manual de usuario
Manual do usuário
Manuale d'uso
Gebruiksaanwijzing

Incl.

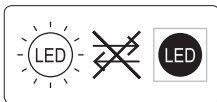
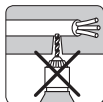


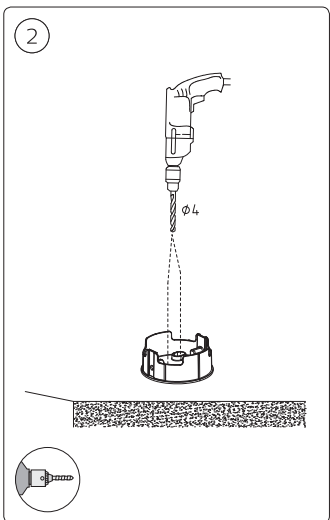
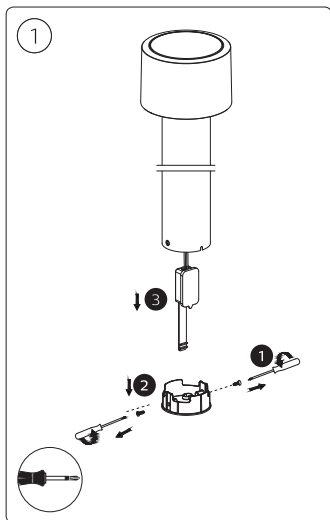
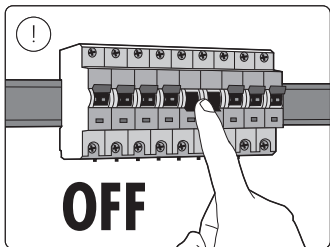
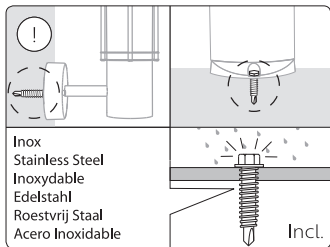
ST4.2*40mm

Excl.

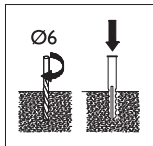
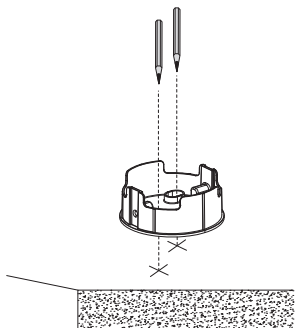


IP44

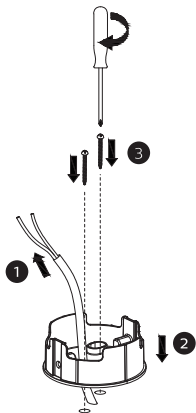




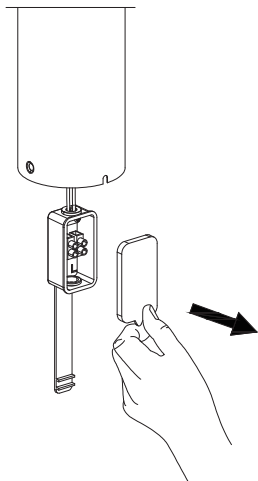
3



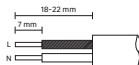
4



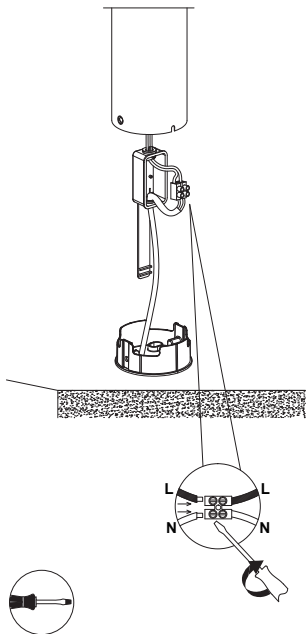
5

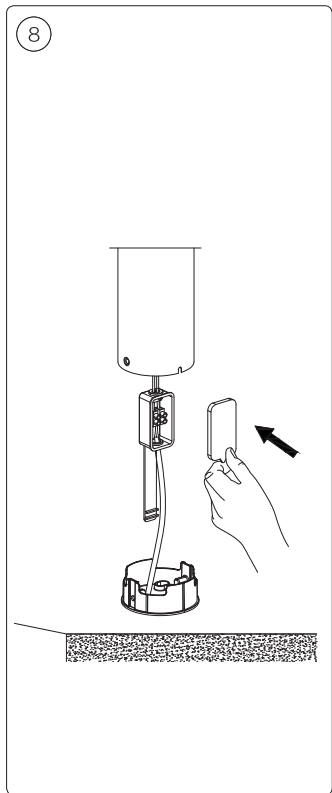
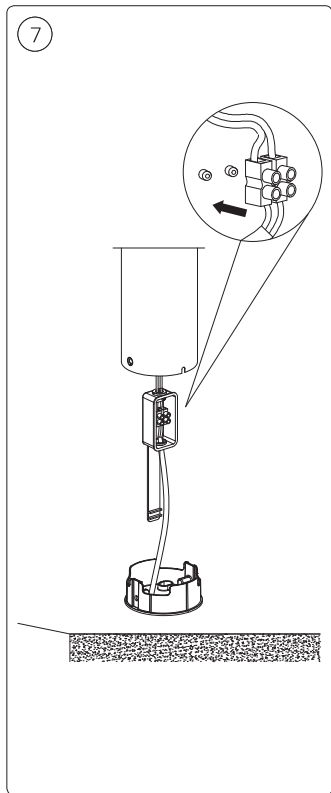


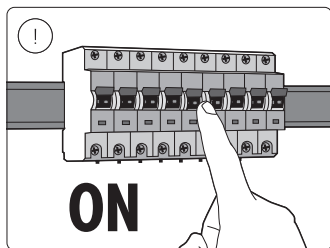
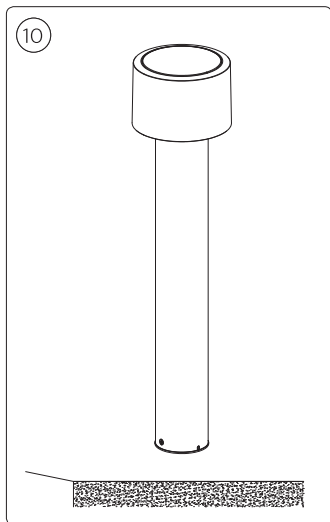
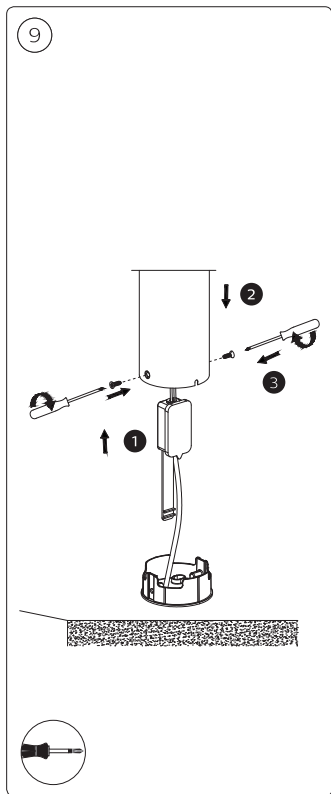
6



60245 IEC 57
Min. 2x1.0mm²
Max. 2x1.5mm²









Signify Commercial UK Limited
Unit 3, Guildford Business Park,
Guildford, Surrey, GU2 8XG, UK

Signify
I.B.R.S. / C.C.R.I. Numéro 10461
5600 VB Eindhoven,
the Netherlands
☎00800-74454775

Philips and the Philips Shield Emblem are registered trademarks
of Koninklijke Philips N.V. and are used under license

3241 662 13361
www.philips.com/lighting

© 2024 Signify Holding

The Signify logo, which consists of a stylized 'S' inside a circle followed by the word "signify" in a lowercase, sans-serif font.