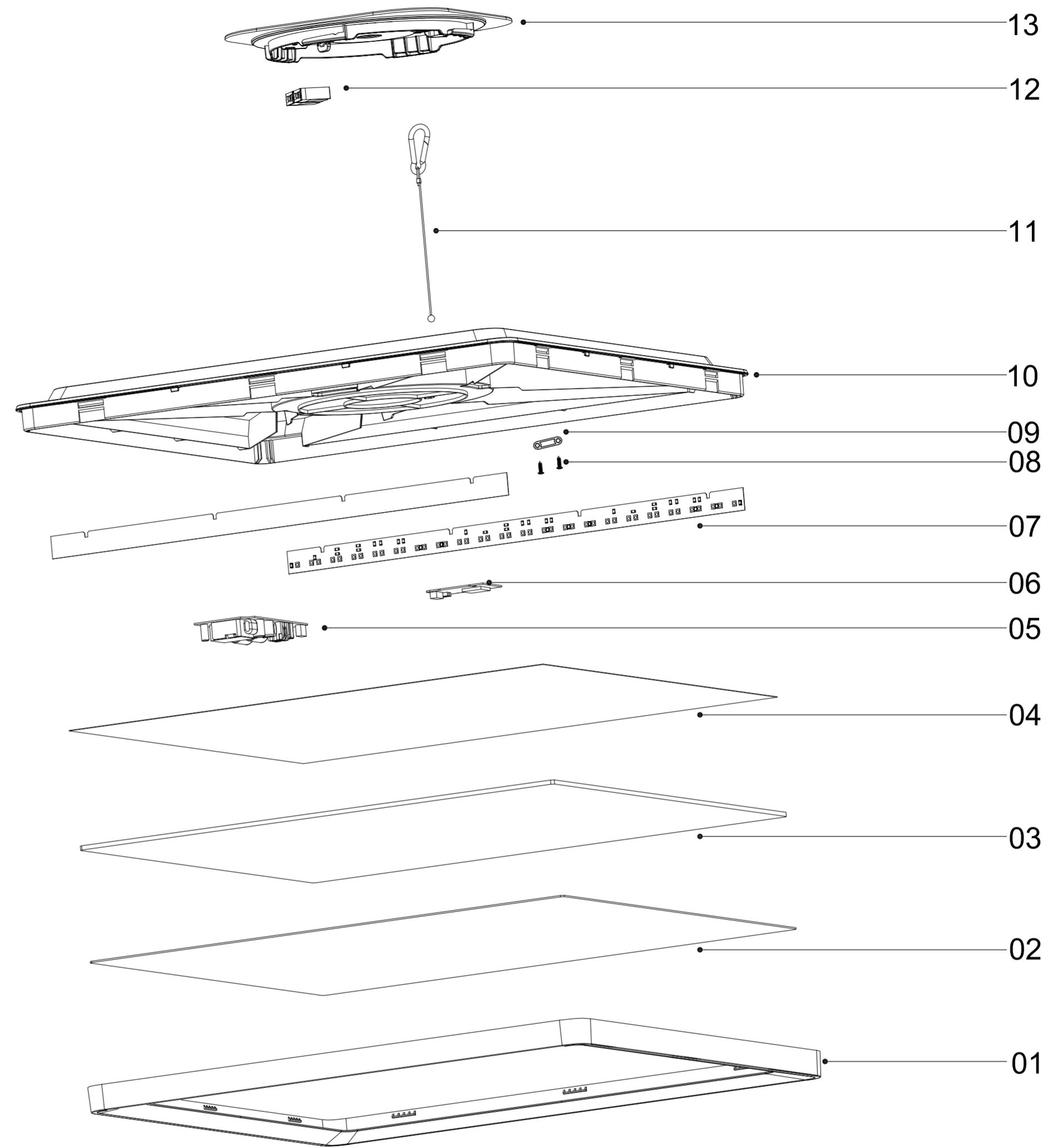


PHILIPS
hue

13	CANOPY	1
12	CONNECTOR	1
11	SUSPENDED ROPE	2
10	HOUSING	1
09	WIRE CLAMP	1
08	SELF TAPPING SCREW	2
07	L2 PCBA	1
06	HUE CONTROL PCBA	1
05	DRIVER	1
04	REFLECTOR	1
03	LIGHT GUIDE PLATE	1
02	DIFFUSER	1
01	FRAME	1
No	COMPONENT	QTY



#	SLR Description	Tools needed
a	REMOVE FRAME 1	FLAT HEAT SCREW DRIVER*2
b	REMOVE DIFFSER 2	
c	REMOVE LIGHT GUIDE PLATE 3	
d	REMOVE REFLECTOR 4	
e	UNPLUG FLAT CABLE FROM HUE CONTROL PCBA 6	
f	UNPLUG 24V POWER OUTPUT WIRE FROM DRIVER 5	
g	REMOVE LED STRIP 7 FROM HOUSING 10	

9290038467	Tento Hue WCA slim ceiling SQ M black
9290038466	Tento Hue WCA slim ceiling SQ M white
9290038465	Tento Hue WA slim ceiling SQ M black
9290038464	Tento Hue WA slim ceiling SQ M white
9290038463	Tento Hue WCA slim ceiling SQ S black
9290038462	Tento Hue WCA slim ceiling SQ S white
9290038461	Tento Hue WA slim ceiling SQ S black
9290038460	Tento Hue WA slim ceiling SQ S white
9290038459	Tento Hue W slim ceiling SQ S black
9290038458	Tento Hue W slim ceiling SQ S white
SKU	Description

Warnings

Always make sure the luminaire is detached from the mains socket
Always make sure the DC cable is detached from the power supply
Staring at the operating light source may cause eye injury

STATUS	DESCRIPTION	DESIGN ID	2024-03-26
2024-03-26		DOC 12NC	
NAME	LOCAL PART ID	SH. 1	SH.
CHECKED	DATE 2024-03-26		A0

©ignify