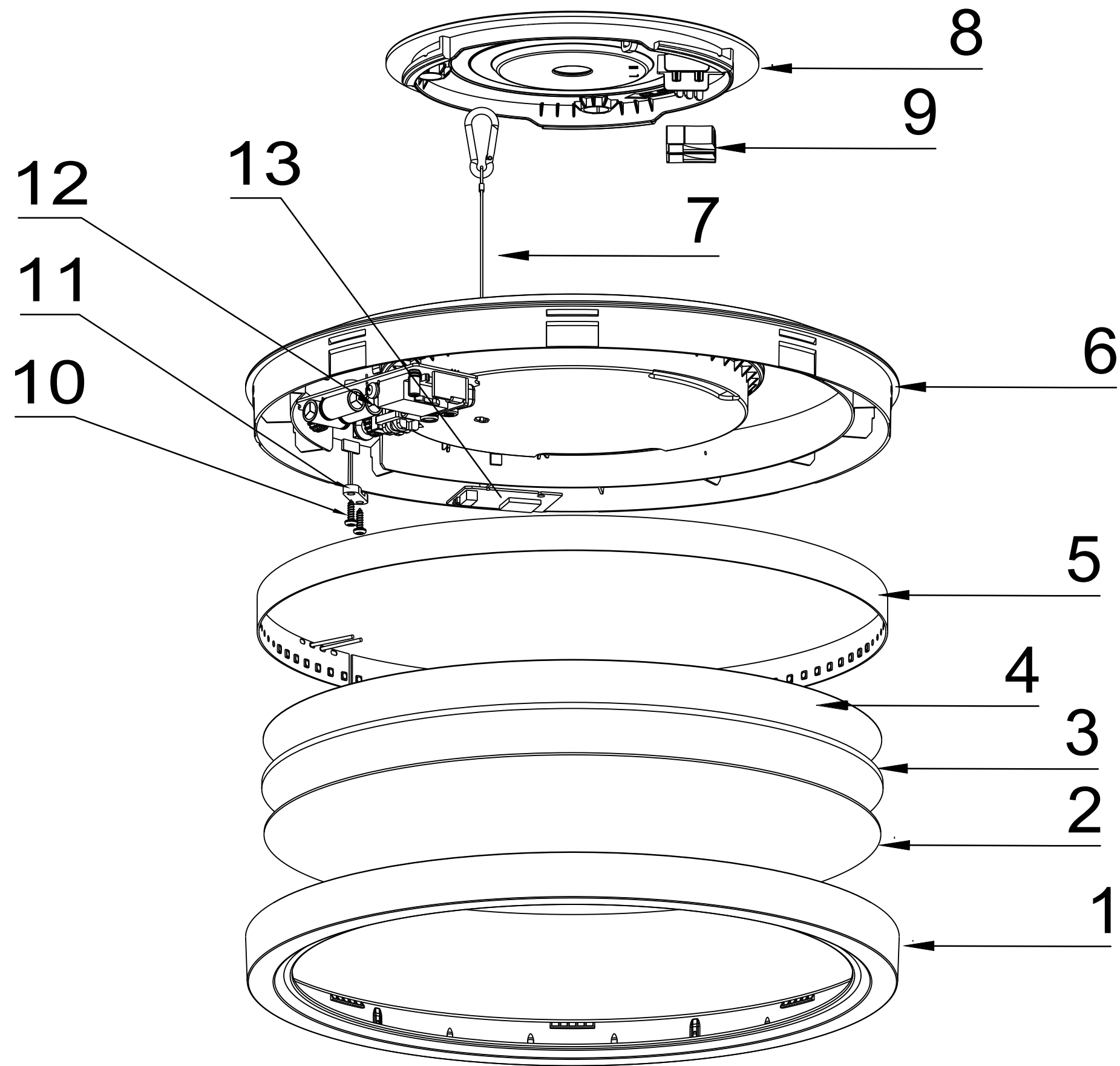


**PHILIPS**  
**hue**

| #  | COMPONENT          | QTY |
|----|--------------------|-----|
| 1  | FRAM               | 1   |
| 2  | DIFFUSER           | 1   |
| 3  | LIGHT GUIDE PLATE  | 1   |
| 4  | REFLECTOR          | 1   |
| 5  | LED STRIP          | 1   |
| 6  | HOUSING            | 1   |
| 7  | SUSPENDED ROPE     | 1   |
| 8  | CANOPY             | 1   |
| 9  | CONNECTOR          | 2   |
| 10 | SELF TAPPING SCREW | 2   |
| 11 | WIRE CLAMP         | 1   |
| 12 | DRIVER             | 1   |
| 13 | HUE CONTROL PCBA   | 1   |



| # | SLR Description                             | Tools needed             |
|---|---|--------------------------|
| a | REMOVE FRAME 1                              | FLAT HEAD SCREW DRIVER*2 |
| b | REMOVE DIFFUSER 2                           |                          |
| c | REMOVE LIGHT GUIDE PLATE 3                  |                          |
| d | REMOVE REFLECTOR 4                          |                          |
| e | UNPLUG FLAT CABLE FROM HUE CONTROL PCBA 13  |                          |
| f | UNPLUG 24V POWER OUTPUT WIRE FROM DRIVER 12 |                          |
| g | REMOVE LED STRIP 5 FROM HOUSING 6           |                          |

| SKU        | Description                           | Country |
|------------|---------------------------------------|---------|
| 9290038227 | Tento Hue W slim ceiling RD S white   | EU      |
| 9290038228 | Tento Hue W slim ceiling RD S black   | EU      |
| 9290038229 | Tento Hue WA slim ceiling RD S white  | EU      |
| 9290038230 | Tento Hue WA slim ceiling RD S black  | EU      |
| 9290038235 | Tento Hue WCA slim ceiling RD S white | EU      |
| 9290038236 | Tento Hue WCA slim ceiling RD S black | EU      |

**Warnings**

Always make sure the luminaire is detached from the mains socket  
Always make sure the DC cable is detached from the power supply  
Staring at the operating light source may cause eye injury

|            |                 |           |            |
|------------|-----------------|-----------|------------|
| STATUS     | DESCRIPTION     | DESIGN ID | 2024-06-11 |
| 2024-06-11 |                 | DOC 12NC  |            |
| NAME       | LOCAL PART ID   | SH. 1     | SH.        |
| CHECKED    | DATE 2024-06-11 |           | A0         |

©ignify