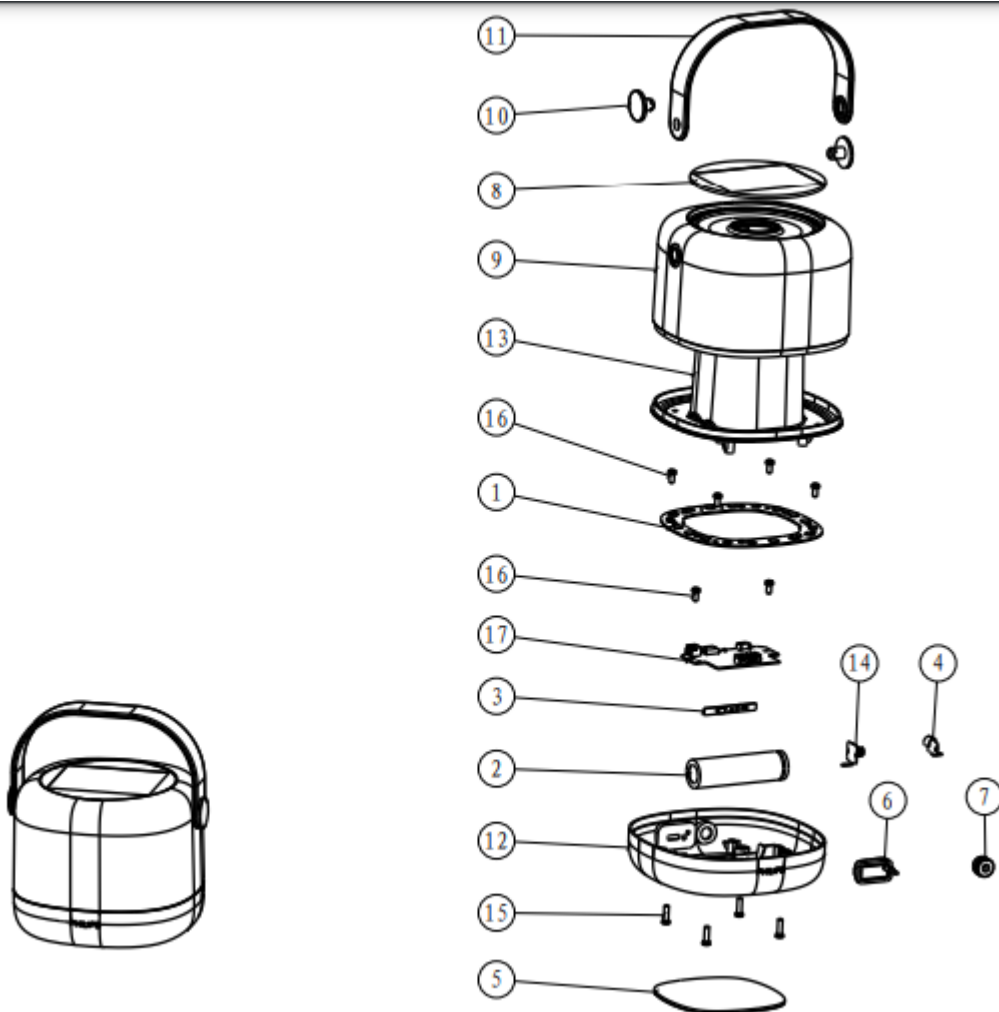


Dismantling Recommendation on Disposal at End of Life

Composition Explanation



Dismantling Recommendation on Disposal at End of Life

Composition Explanation

No.	Components	Specifications	Unit	Quantity
1	ASL1056-RGB-LED Light Board	aluminium substrate	PCS	1
2	Battery Cell ICR18650	li-ion battery	PCS	1
3	Battery Protection Plate-20220617	PCB board	PCS	1
4	ASL1054-Shrapnel-02	phosphor bronze	PCS	1
5	ASL1056-N slip-resistant mat	EVA	PCS	1
6	ASL1056-N Charging waterproof silicone cover	silica	PCS	1
7	ASL1056-N Switch Silicone Keypad	silica	PCS	1
8	ASL1056-N solar panel	solar panel	PCS	1
9	ASL1056B-N cover of lamp	PP	PCS	1
10	ASL1056B-N Carrying handle clasp	PC	PCS	2
11	ASL1056B-N Rubber Carrying Handle	caoutchouc	PCS	1
12	ASL1056-RGB bottom cover	ABS	PCS	1
13	ASL1056-RGB reflective sheeting	ABS	PCS	1
14	A-016212 Battery Negative Shrapnel	brass	PCS	1
15	PB3x10 Round head self tapping flat end	nickel-plated	PCS	4
16	PB3x6 Round head self-tapping flat end	nickel-plated	PCS	6
17	ASL1056-N control board	glass fibreboard	PCS	1

Dismantling Recommendation on Disposal at End of Life

Dismantling

- Type: Light source non replaceable

Recommendation on Disposal

- Plastic part: Reuse and Recycling
- Electrical part: Incineration and disposal
- Metal part: Recycling

Light source dismantling process

