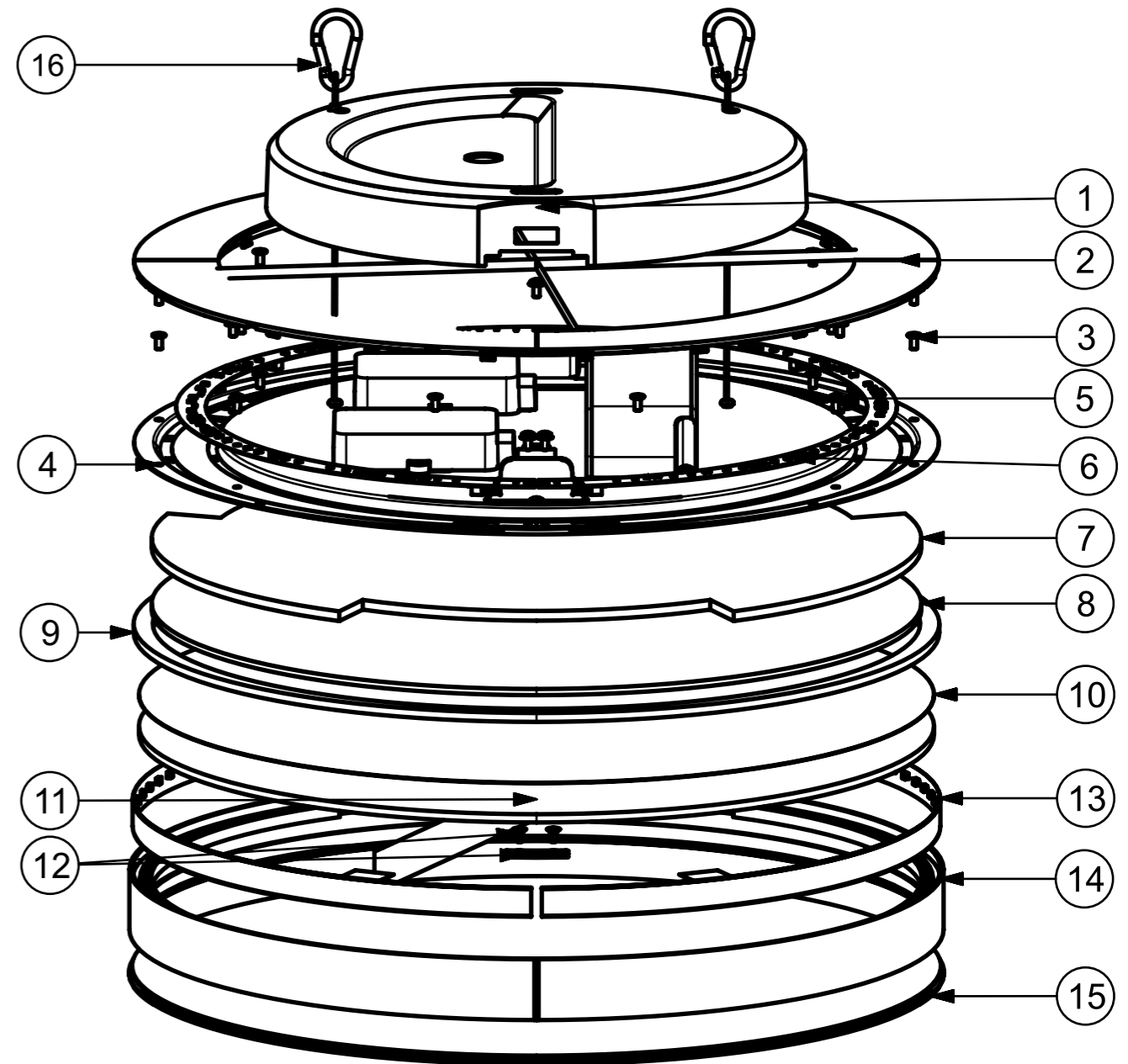


PHILIPS hue

#	COMPONENT	QTY
1	INSTALLATION BOX	1
2	BACK LIGHT COVER	4
3	SELF TAPPING SCREW M3X6	12
4	BACK PLATE ASSEMBLY	1
5	SELF TAPPING SCREW M3X6	16
6	BACK LIGHT L2	4
7	EPE FOAM	1
8	EPE FOAM	1
9	EPE FOAM	3
10	REFLECTIVE PAPER	1
11	LIGHT GUIDE PLATE	1
12	CIRCLE CLOSED PLATE ASSEMBLY	1
13	DOWN LIGHT L2	1
14	ALUMINUM FRAME	1
15	DIFFUSER	1
16	SAFETY ROPE	2



Warnings

Always make sure the luminaire is detached from the mains socket
 Always make sure the DC cable is detached from the power supply
 Staring at the operating light source may cause eye injury

NOTE;
 FOR LIGHT SOURCE-LED STRIP REMOVAL PLEASE REFER TO DOCUMENT
 929003736201_L2 REMOVAL INSUTRUCTION FLEX LED STRIP

#	Disassemble/dismantle steps	Tools needed
a	REMOVE INSTALLATION BOX 1	/
b	REMOVE BACKLIGHT COVER 2	FLAT HEAD SCREW DRIVER
c	UNSCREW SELF TAPPING SCREW M3*12 3	CROSS HEAD SCREW DRIVER
d	REMOVE BACKPLATE ASSEMBLY AND DETACHABLE THE CABLE 4	/
e	UNSCREW BACKLIGHT FIXING SCREW M3*16 5	CROSS HEAD SCREW DRIVER
f	REMOVE BACKLITGHT L2 6	/
g	REMOVE EPE FOAM *3 7,8,9	/
h	REMOVE REFELETIVE PAPER 10	/
i	UNSCREW THE CIRCLED CLOSED PLATE ASSEMBLLY 12	CROSS HEAD SCREW DRIVER
j	OPEN THE ALUMINUM FRAME AND REMOVE LIGHT GUIDE PLATE AND DIFFUSER 11,15	/
h	HEAT UP THE ALUMINUM AND REMOVE DOWN LIGHT L2 13 ,14	DIY TOOL

12NC	COLOR	COUNTRY
929003736201	WHITE	EMEA
929003736101	WHITE	EMEA

STATUS	DESCRIPTION	DESIGN ID
2024-02-07	Hue WCA Frameless panel R384 Hue WCA Frameless panel R574	DOC 12NC
NAME: Hue WCA Frameless panel	LOCAL PART ID SH.	SH
CHECKED	DATE: 2024-02-07	CONFIDENTIAL, PROPERTY OF: © 2020 Signify Holding

All rights are reserved. Reproduction in whole or in part is prohibited without the written consent of the copyright owner.