

PHILIPS



Outdoor Low Voltage
Spore

9290040727

9290040857

9290040861



User manual
Benutzerhandbuch
Notice d'emploi
Manual de usuario
Manual do usuário
Manuale d'uso
Gebruiksaanwijzing

Incl.

A



B



x3



Type F or Type G or Type J
x1



x1

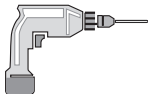


x1



5m x1

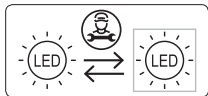
Excl.



B

IP65/67

Luminaire



E

IP20

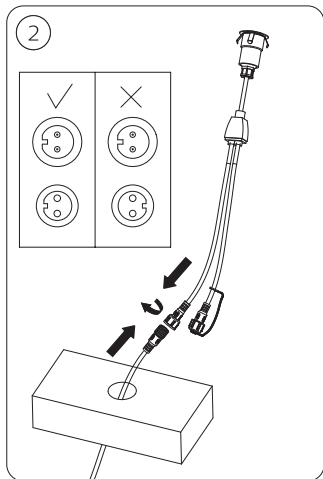
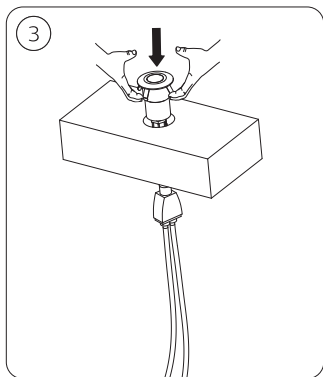
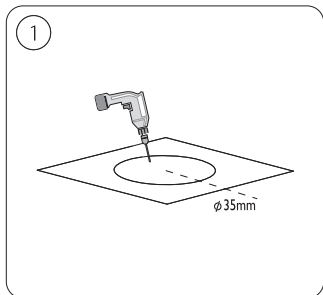
Type G

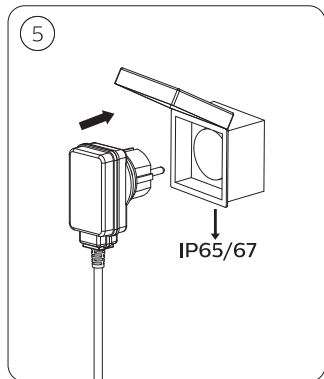
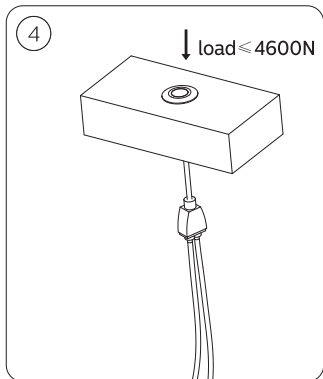
IP55

Type J

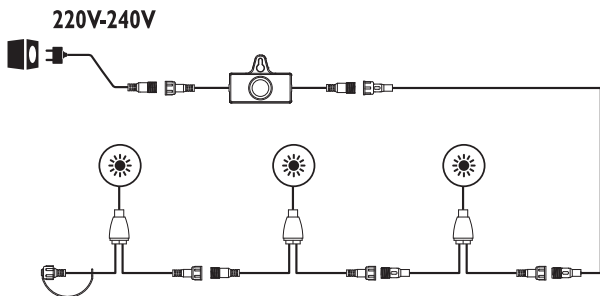
IP44

Type F





Philips GardenLink Low-volt system (24V)





Signify Commercial UK Limited
Unit 3, Guildford Business Park,
Guildford, Surrey, GU2 8XG, UK

Signify
I.B.R.S. / C.C.R.I. Numéro 10461
5600 VB Eindhoven, the Netherlands
☎00800-74454775

Philips and the Philips Shield Emblem
are registered trademarks of Koninklijke
Philips N.V. and are used under license.

www.philips.com/lighting

© 2023 Signify Holding
The Signify logo, which consists of a stylized 'S' inside a circle followed by the word "ignify" in a lowercase, sans-serif font.

3241 661 00063