

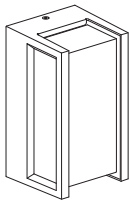
# PHILIPS

Pyrona  
9290033628

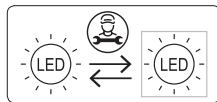
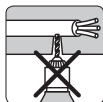
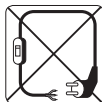
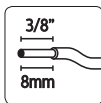
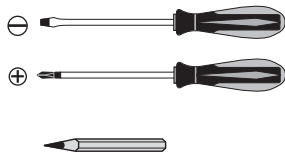
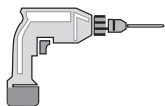


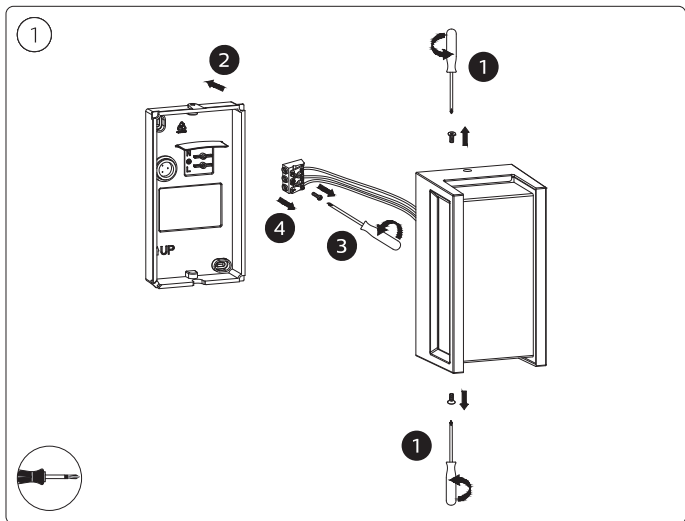
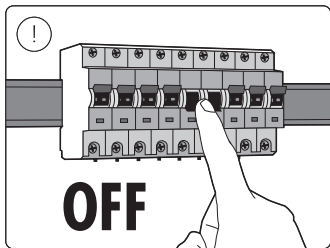
User manual  
Benutzerhandbuch  
Notice d'emploi  
Manual de usuario  
Manual do usuário  
Manuale d'uso  
Gebruiksaanwijzing

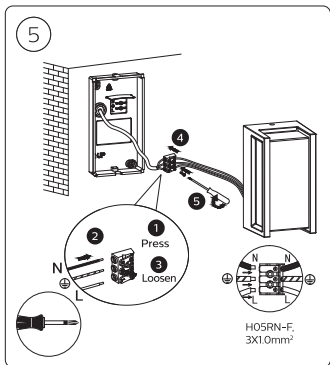
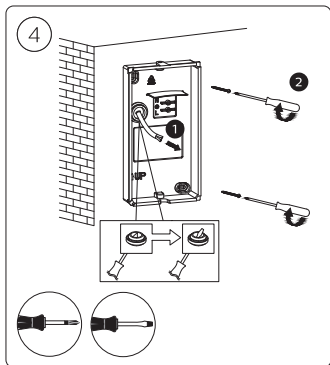
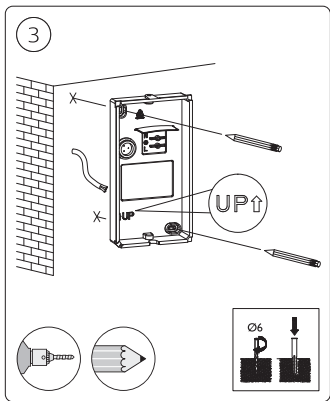
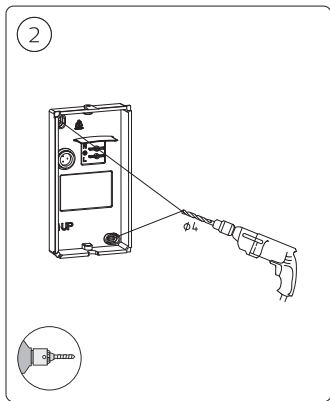
Incl.

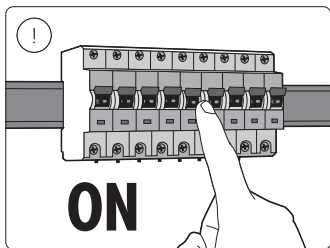
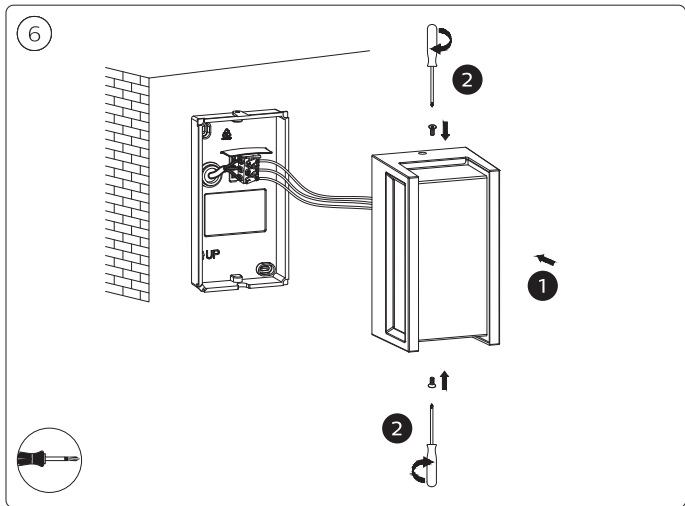


Excl.











Signify Commercial UK Limited  
Unit 3, Guildford Business Park,  
Guildford, Surrey, GU2 8XG, UK

Signify  
I.B.R.S. / C.C.R.I. Numéro 10461  
5600 VB Eindhoven,  
the Netherlands  
☎00800-74454775

Philips and the Philips Shield Emblem are registered trademarks  
of Koninklijke Philips N.V. and are used under license

3241 660 97202  
[www.philips.com/lighting](http://www.philips.com/lighting)

© 2023 Signify Holding

The Signify logo, which consists of a stylized 'S' inside a circle followed by the word "signify" in a lowercase, sans-serif font.