

# PHILIPS

Python Ultra Efficient  
9290033595  
9290040735

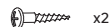


User manual  
Benutzerhandbuch  
Notice d'emploi  
Manual de usuario  
Manual do usuário  
Manuale d'uso  
Gebruiksaanwijzing

Incl.



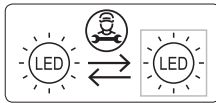
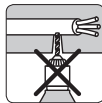
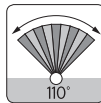
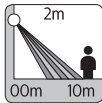
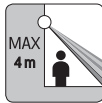
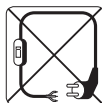
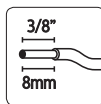
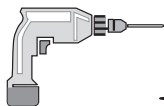
x2

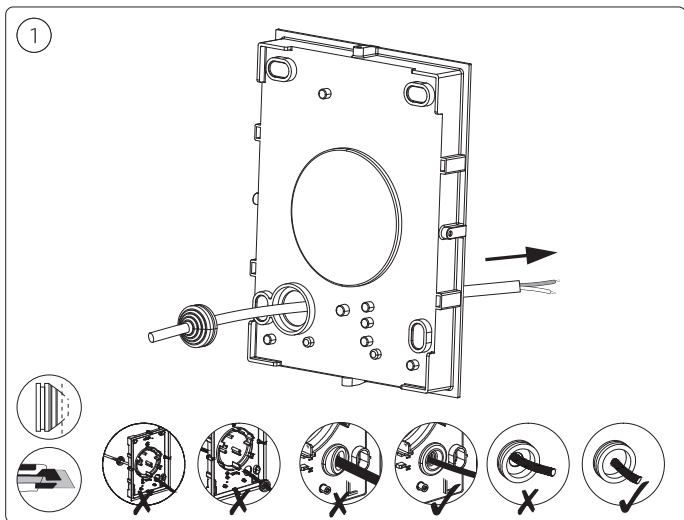
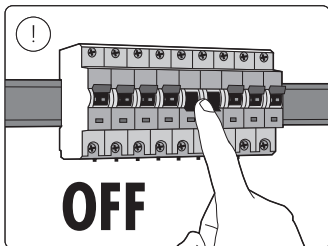
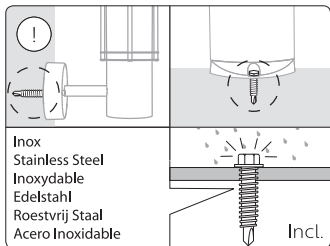


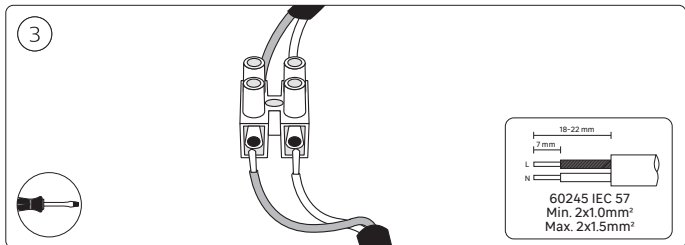
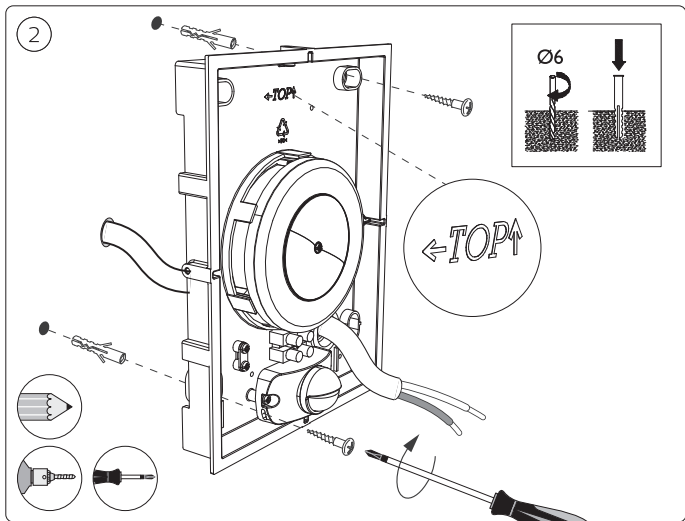
x2

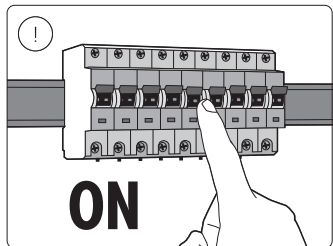
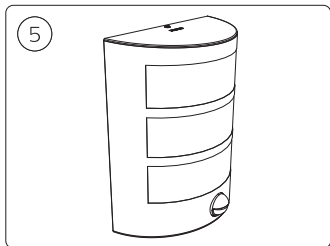
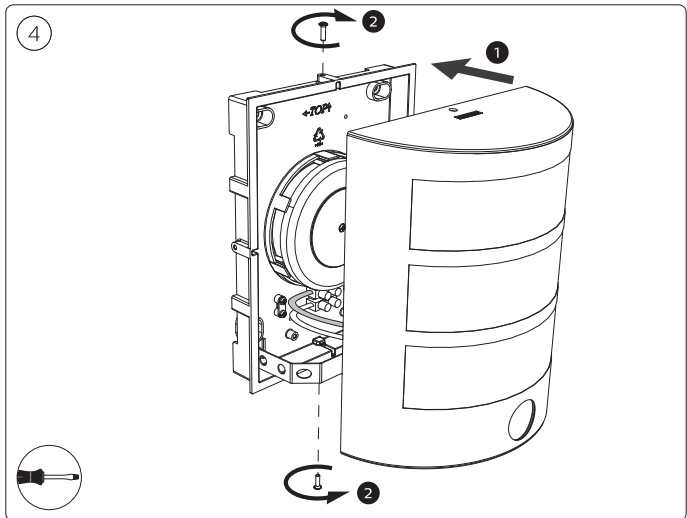
ST4.2\*30mm

Excl.

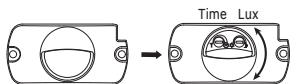








6a



6b Time



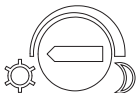
5 Sec  $\pm$  2 Sec



12 Min  $\pm$  3 Min



6c Lux



< 200Lux



< 30Lux





Signify Commercial UK Limited  
Unit 3, Guildford Business Park,  
Guildford, Surrey, GU2 8XG, UK

Signify  
I.B.R.S. / C.C.R.I. Numéro 10461  
5600 VB Eindhoven,  
the Netherlands  
☎00800-74454775

Philips and the Philips Shield Emblem are registered trademarks  
of Koninklijke Philips N.V. and are used under license

3241 660 88643  
[www.philips.com/lighting](http://www.philips.com/lighting)

© 2024 Signify Holding

 **signify**