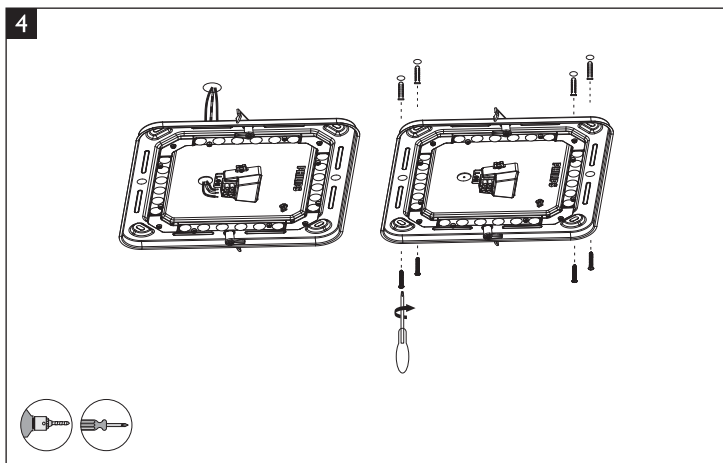
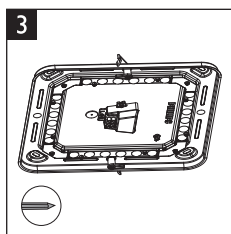
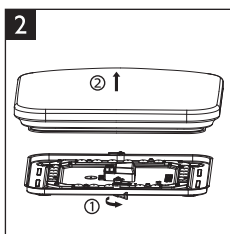
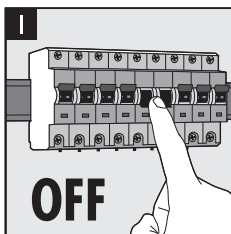
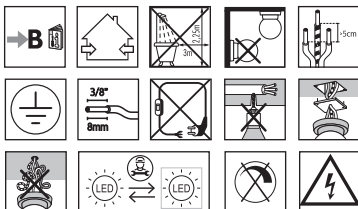
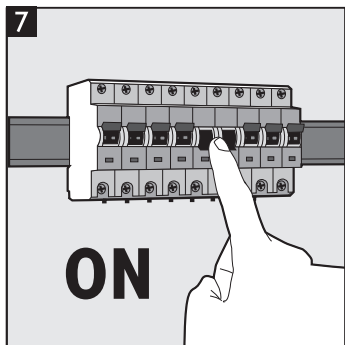
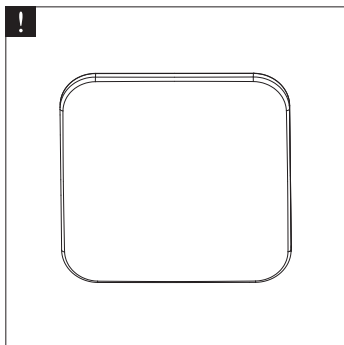
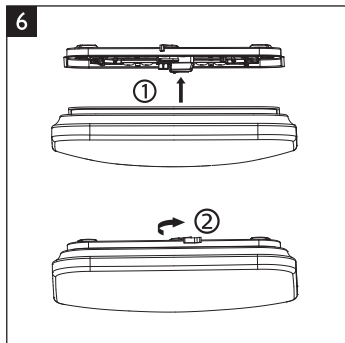
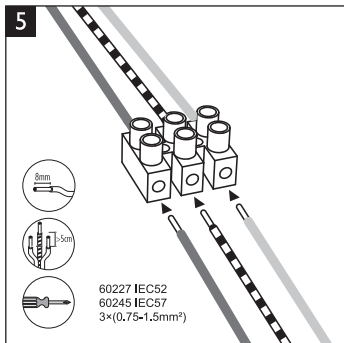


PHILIPS



Mauve





E 311103IP3 9290033132 9290033133 9290033134 9290033135

F 311103IP0

Philips and the Philips Shield Emblem are registered trademarks of Koninklijke Philips N.V. and are used under license

Signify
I.B.R.S. / C.C.R.I. Numéro 1046 I
5600 VB Eindhoven, the Netherlands
www.philips.com/lighting

Signify Commercial UK Limited
Unit 3, Guildford Business Park,
Guildford, Surrey, GU2 8XG, UK



© 2023 Signify Holding

©ignify

3241 660 4956 I

Last update: 02/14/23