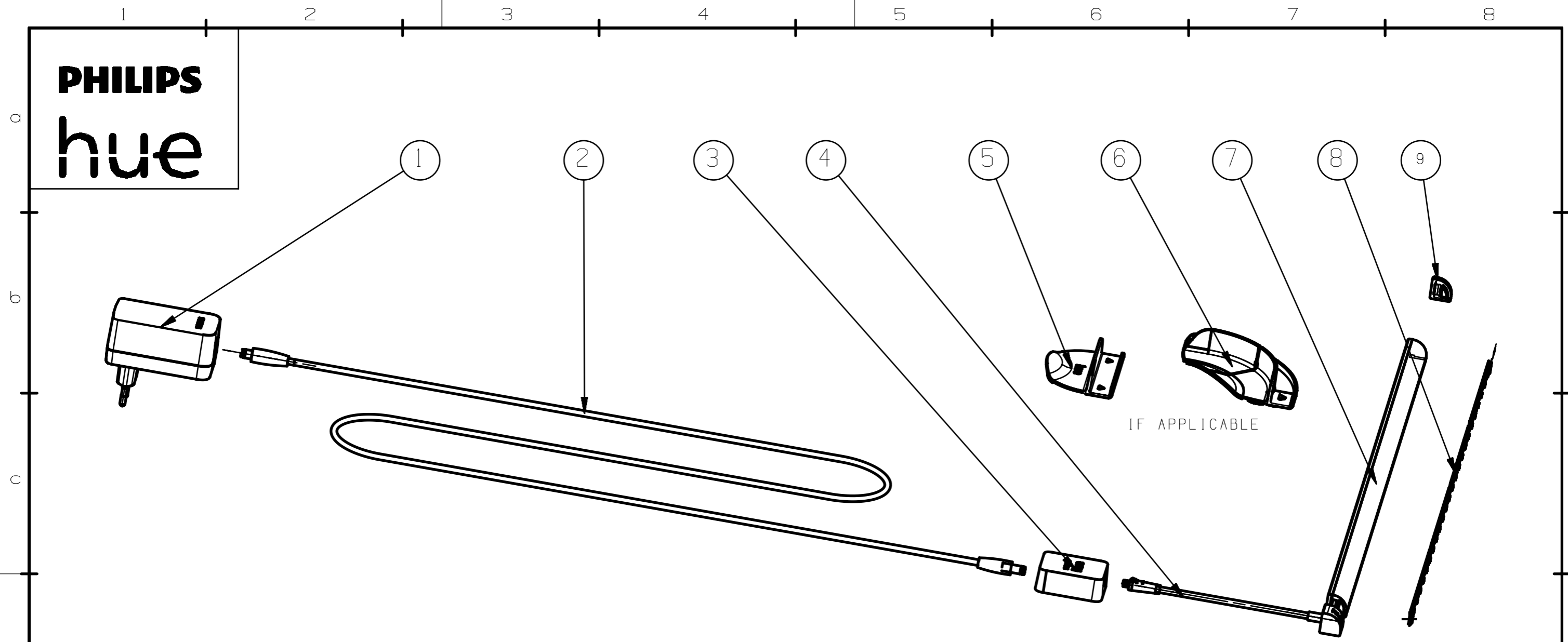


PHILIPS hue



All rights are reserved. Reproduction in whole or in part is prohibited without the written consent of the copyright owner.

Component NO	PART NAME	QTY
1	PSU	1
2	BLACK DC-CABLE	1
3	RF-BOX	1
4	4 CORE CABLE	1
5	STRIGHT BRACKET	3
6	CORNER BRACKET	2
7	SILICONE SLEEVE	1
8	L2-FPC	1
9	End cap	1

12NC	COLOR	COUNTRY
929003498501	BLACK	EU
929003498601	BLACK	EU
929003498502	BLACK	EU
929003498602	BLACK	EU

#	Disassemble/dismantle steps	Tools needed
a	Detach the DC cable from the psu.	/
b	Detach the DC cable from RF box.	/
c	Detach the light strip assy from the RF box.	/
d	Cut open silicone sleeve from the bottom side and take out of the L2-FPC.	SCISSOR

STATUS	DESCRIPTION	DESIGN ID
	Hue Gradient PC strip 24-27Inch " Hue Gradient PC strip 27-32Inch "	
		DOC 12NC
NAME: Dv Do	LOCAL PART ID SH.	SH.511
CHECKED	DATE: 2024-03-05	