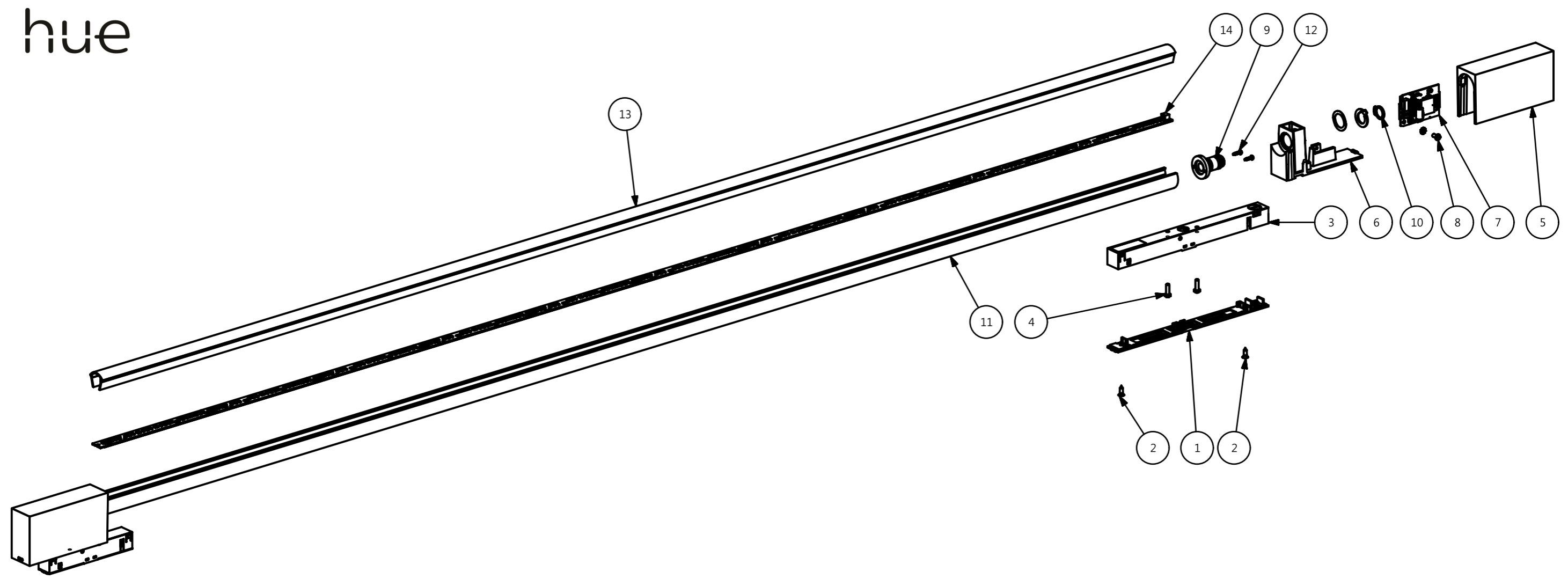


PHILIPS
hue



Warnings

Always make sure the luminaire is detached from the mains socket
Always make sure the DC cable is detached from the power supply
Staring at the operating light source may cause eye injury

#	Disassemble/dismantle steps	Tools needed
a	Remove cover (1) by unscrewing screws (2)	CROSSHEAD SCREWDRIVER PZ
b	Disconnect wires from contacts in adapter (3)	PINCER
c	Remove adapter (3) by unscrewing screws (4)	TORXHEAD SCREW DRIVER
d	Remove end cap (5) from bracket (6) by pushing snap hooks	FLATHEAD SCREWDRIVER
e	Remove flatcable from LIGHT SOURCE-HUE CONNECT (7)	-
f	Remove LIGHT SOURCE-HUE CONNECT (7) by unscrewing screw (8)	TORXHEAD SCREW DRIVER
g	Remove bracket (6) from connector (9) by removing circlips (10)	PINCER
h	Remove connector (9) from the profile (11) by unscrewing screws (12)	TORXHEAD SCREW DRIVER
i	Pull diffuser (13) out of the profile (11)	-
j	Remove led strip acc. instruction: 442295217807_L2 Removal and Test Instruction Rigid LED strip	See instruction

#	COMPONENT	QTY
1	COVER	1
2	SCREW	2
3	ADAPTER	1
4	SCREW	2
5	END CAP	1
6	BRACKET	1
7	LIGHT SOURCE - HUE CONNECT	1
8	SCREW	1
9	CONNECTOR	1
10	CIRCLIPS	1
11	PROFILE	1
12	SCREW	2
13	DIFFUSER	1
14	LIGHT SOURCE - LED STRIP	1

SKU	Color	Country
929003116501	Black	EU
929003116601	White	EU

STATUS	DESCRIPTION	DESIGN ID	01	2021-05-10
	Perifo gradient light tube large	DOC 12NC		
		929003116501		
NAME	He Go	LOCAL PART ID	SH. 1	SH. 511
	CHECKED	DATE	2021-05-10	A3-L