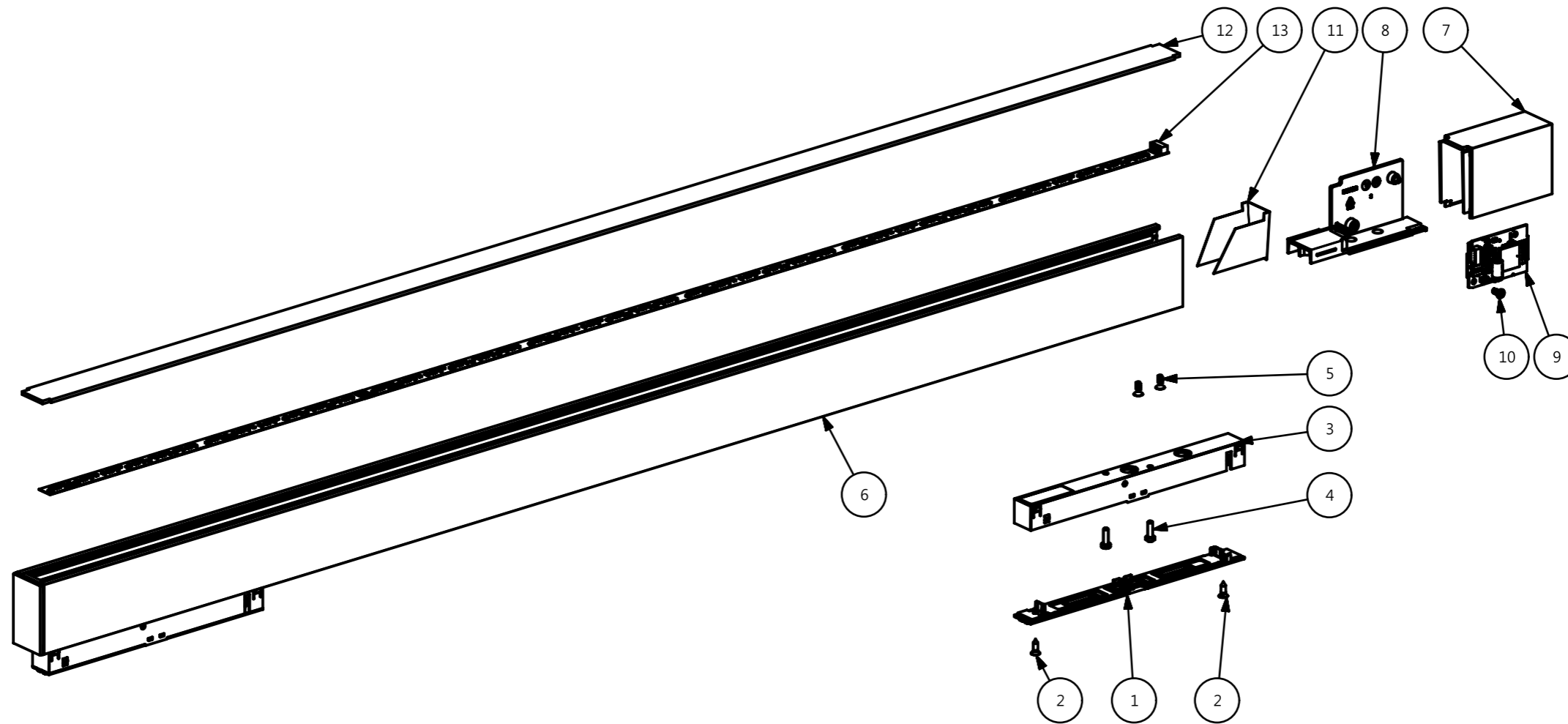


PHILIPS
hue



Warnings

Always make sure the luminaire is detached from the mains socket
Always make sure the DC cable is detached from the power supply
Staring at the operating light source may cause eye injury

#	Disassemble/dismantle steps	Tools needed
a	Remove cover (1) by unscrewing screws (2)	CROSSHEAD SCREWDRIVER PZ
b	Disconnect wires from contacts in adapter (3)	PINCER
c	Remove adapter (3) by unscrewing screws (4)	TORXHEAD SCREW DRIVER
d	Remove end cap (7) by pushing click fingers from bracket (8)	FLATHEAD SCREWDRIVER
e	Remove flatcable from LIGHT SOURCE-HUE CONNECT (9)	-
f	Remove LIGHT SOURCE-HUE CONNECT (9) by unscrewing screw (10)	TORXHEAD SCREW DRIVER
g	Remove bracket (8) from profile (6) by unscrewing screws (5)	TORXHEAD SCREW DRIVER
h	Remove reflector (11)	-
i	Slide diffuser (12) out of the profile (6)	-
j	Remove led strip (13) acc. instruction: 442295215544_L2 Removal and Test Instruction Flex LED strip	See instruction

#	COMPONENT	QTY
1	COVER	1
2	SCREW	2
3	ADAPTER	1
4	SCREW	2
5	SCREW	2
6	PROFILE	1
7	END CAP	1
8	BRACKET	1
9	LIGHT SOURCE - HUE CONNECT	1
10	SCREW	1
11	REFLECTOR	1
12	DIFFUSER	1
13	LIGHT SOURCE - LED STRIP	1

SKU	Color	Country
929003116101	Black	EU
929003116201	White	EU

STATUS	DESCRIPTION	DESIGN ID	DATE
	Perifo linear light bar	04	2022-04-01
NAME	He Go	LOCAL PART ID	SH. 1
CHECKED		DATE	2021-05-04
		SH. 511	A3-L
		DOC 12NC	929003116101