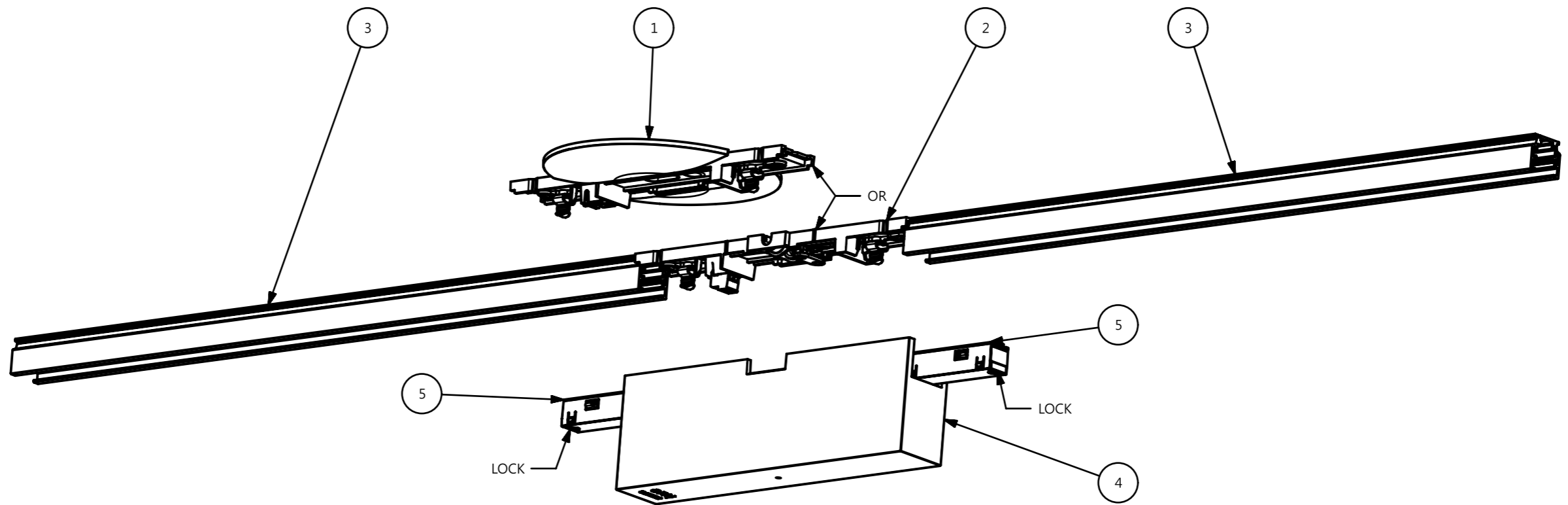


PHILIPS
hue



#	Disassemble/dismantle steps	Tools needed
a	Unlock the lock(s) of the connector(s)	-
b	Remove the PSU (4) by pulling it of the bracket (1) or (2).	-

#	COMPONENT	QTY
1	Bracket	1
2	Bracket	1
3	Rail	1 or 2
4	PSU	1
5	Connector	1 or 2

SKU	Color	Country
929003114101	Black	EU/UK
929003114201	White	EU/UK
929003522901	Black	EU/UK
929003523001	White	EU/UK

STATUS		DESCRIPTION Hue Perifo PSU 100W ceiling		DESIGN ID 01 2021-07-30	
NAME He Go		LOCAL PART ID		SH. 1	
CHECKED		DATE 2021-07-30		SH. 511-1	
				A3-L	