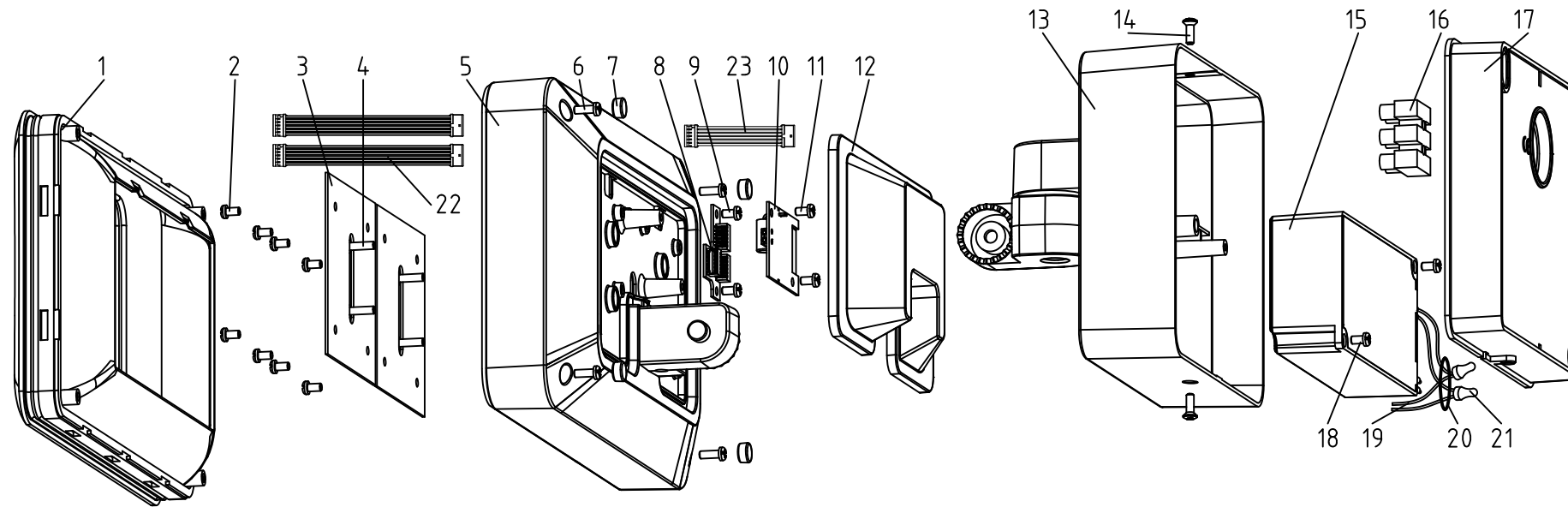


PHILIPS
hue



#	COMPONENT	QTY
1	DIFFUSER	1
2	SCREW	8
3	LIGHT SOURCE - LED MODULE	2
4	SCREW	4
5	HEAD	1
6	SCREW	4
7	GASKET	4
8	SPLITTER	1
9	SCREW	2
10	LIGHT SOURCE - HUE CONNECT	1
11	SCREW	2
12	COVER	1
13	BASE	1
14	SCREW	2
15	DRIVER	1
16	TERMINAL BLOCK	1
17	WALL PLATE	1
18	CONTROL GEAR - PSU	1
19	WIRE	2
20	RIBBON	1
21	CLOSED END CONNECTOR	2
22	LONG FLAT CABLE	2
23	SHORT FLAT CABLE	1

Warnings

Always make sure the luminaire is detached from the mains socket
Always make sure the DC cable is detached from the power supply
Staring at the operating light source may cause eye injury

#	Disassemble/dismantle steps	Tools needed
a	REMOVE WALL PLATE (17) BY UNSCREWING THE SCREWS (14)	CROSS HEAD SCREW DRIVER
b	REMOVE TERMINAL BLOCK (16) FROM THE WALL PLATE (17)	-
c	REMOVE WIRE OF THE CONTROL GEAR - PSU (15) FROM THE TERMINAL BLOCK (16)	FLAT HEAD SCREW DRIVER
d	REMOVE THE RIBBON (20)	PINCER
e	REMOVE THE CLOSED END CONNECTOR (21)	PINCER
f	REMOVE THE CONTROL GEAR - PSU (15) BY UNSCREWING THE SCREWS (18)	CROSS HEAD SCREW DRIVER
g	REMOVE THE GASKET (7)	FLAT HEAD SCREW DRIVER
h	REMOVE DIFFUSER (1) BY UNSCREWING THE SCREWS (6)	CROSS HEAD SCREW DRIVER
i	REMOVE COVER (12) BY UNSCREWING THE SCREWS (4)	CROSS HEAD SCREW DRIVER
j	REMOVE THE LONG FLAT CABLES (22) FROM THE LIGHT SOURCE - LED MODULES (3)	-
k	REMOVE LIGHT SOURCE - LED MODULES (3) BY UNSCREWING THE SCREWS (2)	CROSS HEAD SCREW DRIVER
l	REMOVE THE LIGHT SOURCE - HUE CONNECT (10) BY UNSCREWING THE SCREWS (11)	CROSS HEAD SCREW DRIVER
m	REMOVE THE WIRES (19) FROM THE LIGHT SOURCE - HUE CONNECT (10)	FLATHEAD SCREWDRIVER OR WAGO TOOL #2065
n	REMOVE SPLITTER (8) BY UNSCREWING THE SCREWS (9)	CROSS HEAD SCREW DRIVER

SKU	Color	Country
915005731401	BLACK	EU
915005731601	BLACK	EU

STATUS	DESCRIPTION	DESIGN ID
2021-04-12	Discover Hue WACA EU Welcome Hue White EU	DOC 12NC
NAME WH	LOCAL PART ID	SH. 1
CHECKED	DATE	SH.

A3-P