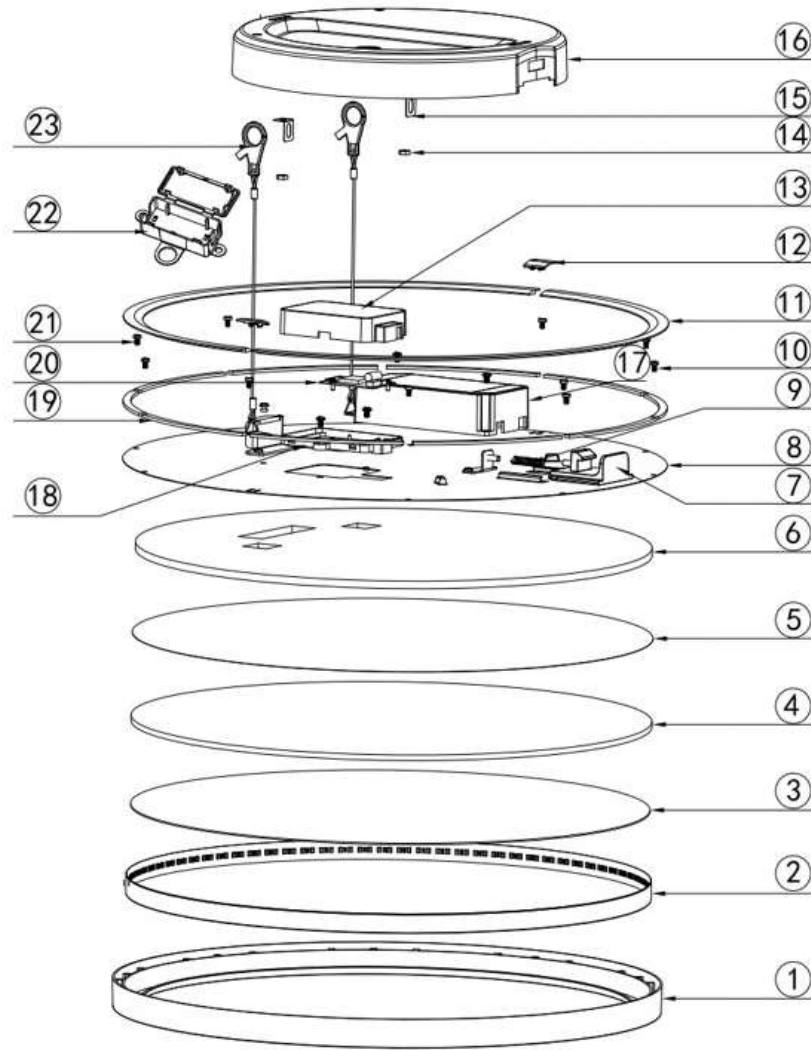


PHILIPS
hue

#	COMPONENT	QTY
1	FRAME	1
2	LED STRIP	2
3	DIFFUSER	1
4	LIGHT GUIDE PLATE	1
5	REFLECTIVE PAPER	1
6	EPE FOAM	1
7	TRIGGER LATCH	1
8	BACK PLATE	1
9	SPRING	1
10	SELF TAPPING SCREW M3X6	10
11	DECORATIVE BAR OF ROUND395 PANEL	2
	DECORATIVE BAR OF 300X300 PANEL	4
12	CORNER PROTECTOR OF ROUND395 PANEL	2
	CORNER PROTECTOR OF 300X300 PANEL	4
13	HUE CONTROL BOX TOP HOUSING	1
14	NUT M4	2
15	L TYPE SHEET METAL PART	2
16	INSTALLATION BOX	1
17	DRIVER	1
18	HUE CONTROL BOX BOTTOM HOUSING	1
19	FOAM WITH DOUBLE ADHESIVE	10
20	HUE CONTROL PCBA	1
21	SCREW M3X4	5
22	WIRE CONNECTION BOX	1
23	SUSPENDED ROPE	2



#	SLR Description	Tools needed
a	REMOVE INSTALLATION BOX 16 BY PRESS TRIGGER LATCH 7	
b	REMOVE CONNER PROTECTOR 12	FLAT HEAD SCREW DRIVER
c	REMOVE DECORATIVE BAR 11	
d	REMOVE SELF TAPPING SCREW M3X6 10	CROSS HEAD SCREW DRIVER
e	UNSCREW SCREW M3X4 21	CROSS HEAD SCREW DRIVER
f	REMOVE HUE CONTROL BOX TOP HOUSING 13	FLAT HEAD SCREW DRIVER
g	UNPLUG FLAT CABLE FROM HUE CONTROL PCBA 20	
h	UNPLUG 24V POWER INPUT WIRE	
i	REMOVE BACK PLATE 8	
j	REMOVE EPE FOAM 6	
k	REMOVE REFLECTIVE PAPER 5	
l	REMOVE LIGHT GUIDE PLATE 4	
m	REMOVE DIFFUSER 3	
n	REMOVE LED STRIP 2 FROM FRAME 1	

SKU	Color	Country
929003099201	WHITE	EU
929003099301	WHITE	EU

Warnings

Always make sure the luminaire is detached from the mains socket
Always make sure the DC cable is detached from the power supply
Staring at the operating light source may cause eye injury

FOR LIGHT SOURCE-LED STRIP REMOVAL PLEASE REFER TO DOCUMENT
442295215544_L2 Removal and Test Instruction Flex LED strip

STATUS	DESCRIPTION	DESIGN ID	2021-08-24
	Aurelle Hue Panel SQ 19W ceiling lamp, 300X300mm		
	Aurelle Hue Panel RD 21W ceiling lamp, Diameter 395mm	DOC L2NC	
NAME	Mg Lv	LOCAL PART ID	SH 1
CHECKED	DATE 2022-08-01	SH	A2

©signify