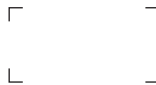


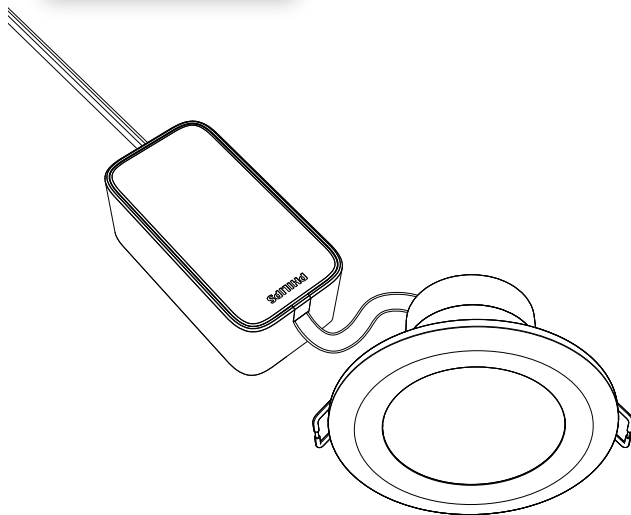
**PHILIPS**

**hue** personal  
wireless  
lighting

9290030168  
9290030948

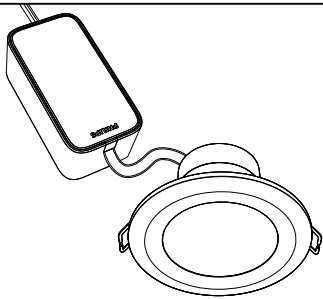


HUE serial number

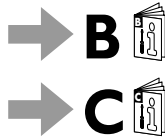
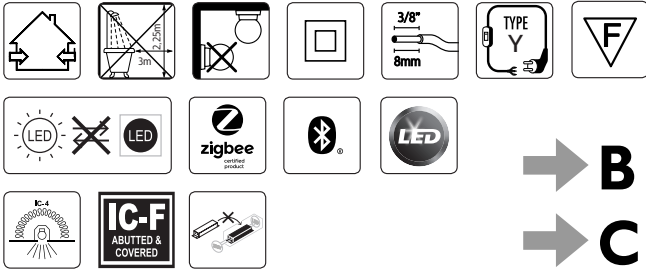
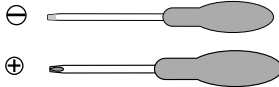
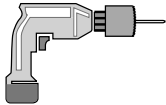


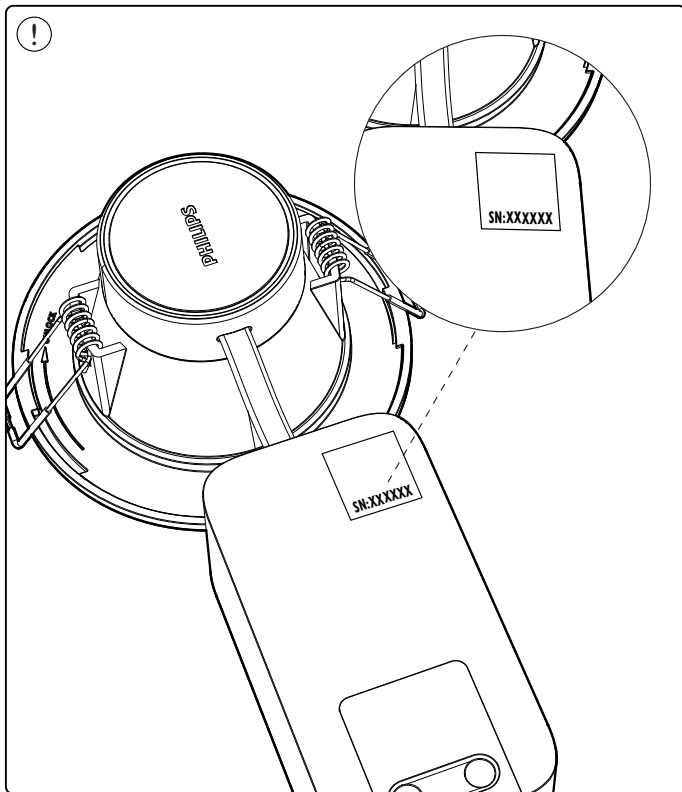
User manual

Incl.

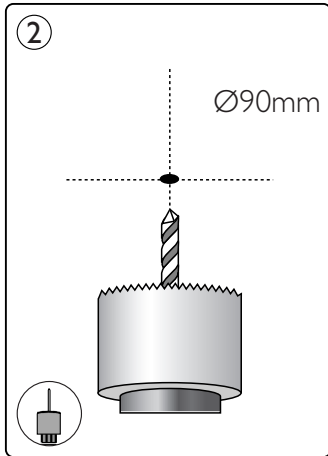
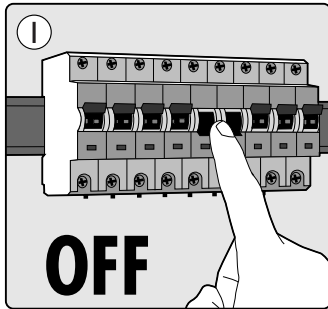


Excl.





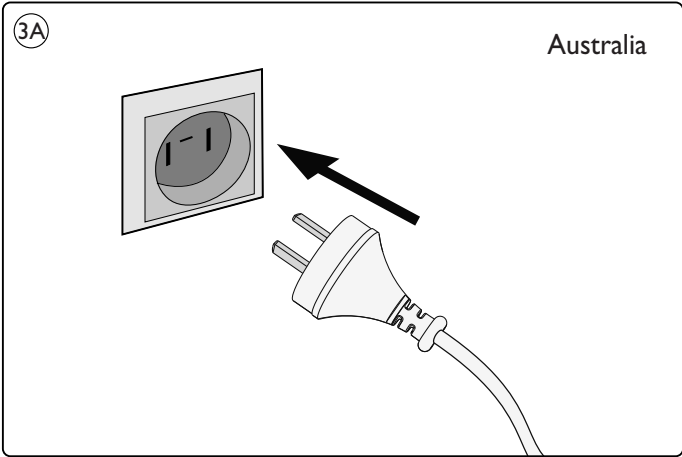
3



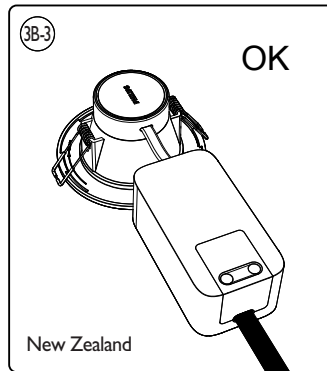
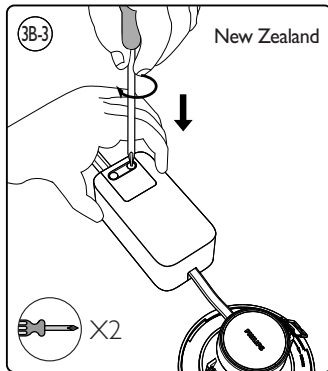
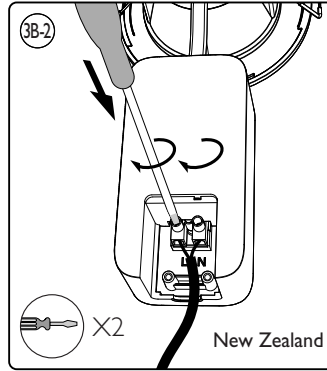
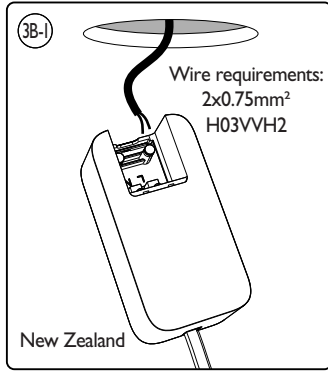
9290030168

3A

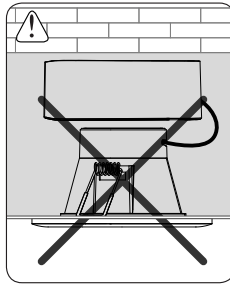
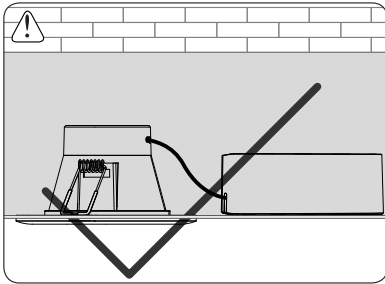
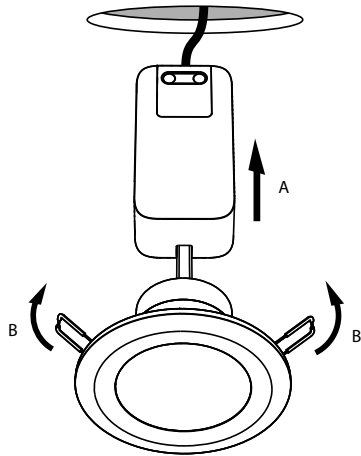
Australia

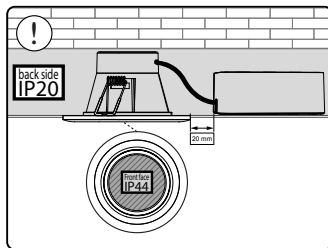
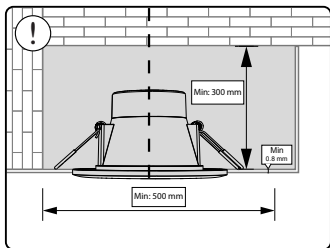


9290030948



4





SIGNIFY (CHINA) INVESTMENT CO., LTD.  
BUILDING NO. 9, LANE 888, TIANLIN ROAD,  
MINHANG DISTRICT, SHANGHAI, CHINA  
POSTAL CODE: 200233

昕诺飞（中国）投资有限公司  
中国上海市闵行区田林路888弄9号楼, 邮编: 200233

[www.philips-hue.com](http://www.philips-hue.com)

4404.029.12392

Last update: 10/06/21