

Warnings

Always make sure the luminaire is detached from the mains socket
Always make sure the DC cable is detached from the power supply
Staring at the operating light source may cause eye injury

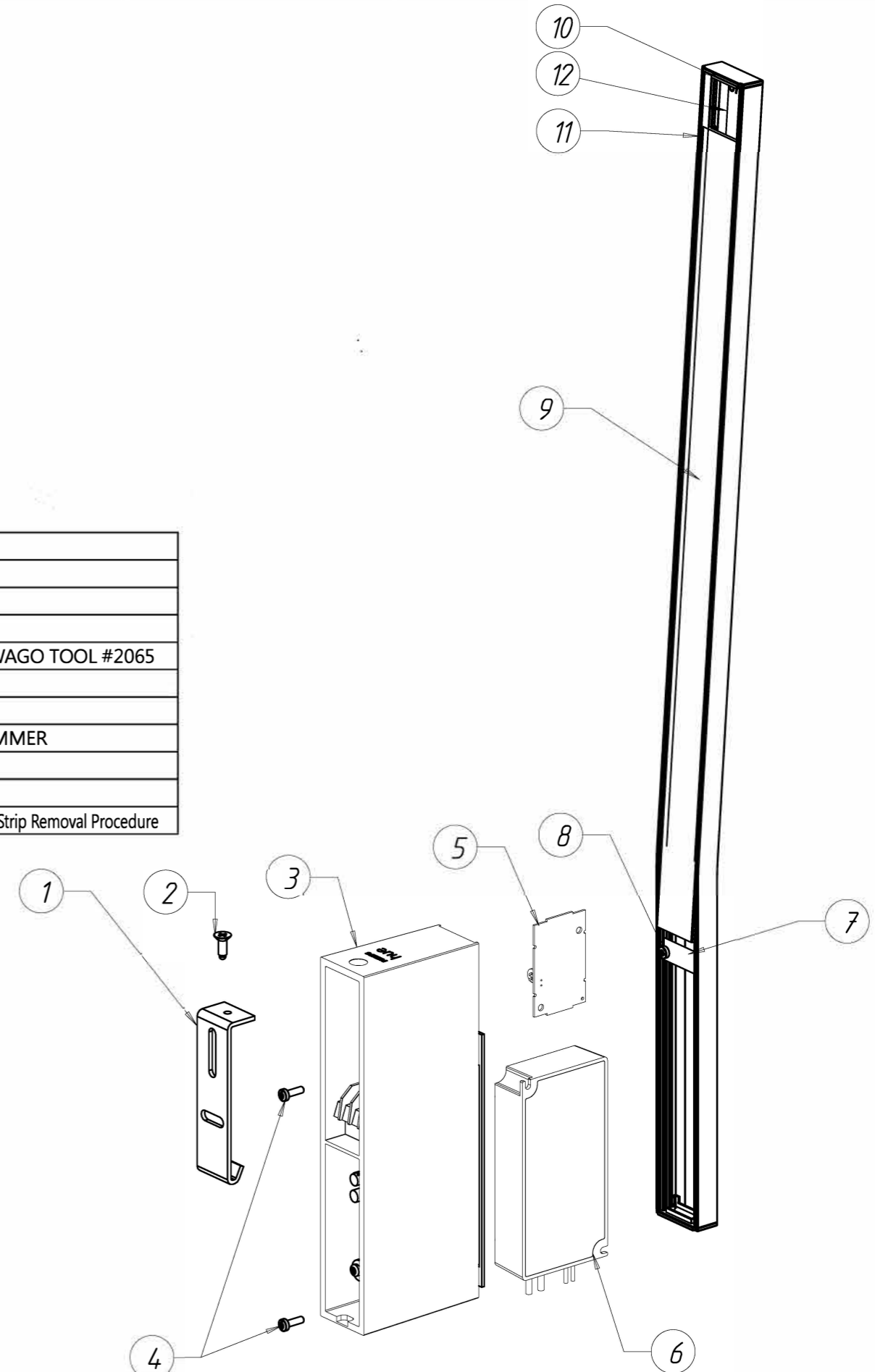
#	Disassemble/dismantle steps	Tools needed
a	Remove bracket (1) by unscrewing screw (2)	CROSSHEAD SCREWDRIVER PZ
b	Remove base (3) by removing screws (4) 2x	TORXHEAD SCREW DRIVER T10
c	LIGHT SOURCE - HUE CONNECT(5) and CONTROL GEAR-PSU (6) can be removed from the base.	-
d	Remove low voltage wires of the cable of LIGHT SOURCE - HUE CONNECT (5)	FLATHEAD SCREWDRIVER OR WAGO TOOL #2065
e	Slide plate (7) down a little by loosening screw (8).	CROSSHEAD SCREWDRIVER PZ
f	Slide diffuser (9) a little down	-
g	Remove endcap (10) from profile (11) by pushing it from the inside	FLATHEAD SCREWDRIVER+HAMMER
h	Remove the diffuser (9) by sliding up.	-
i	Remove low voltage wires of the LIGHT SOURCE - LED STRIP (12)	-
j	Remove LIGHT SOURCE-LIGHT STRIP (12)	See document: 200604 - Instruction LED Strip Removal Procedure

#	COMPONENT	QTY
1	LIGHT SOURCE - HUE CONNECT	1
2	SCREW	1
3	BASE	1
4	SCREW	2
5	LIGHT SOURCE - HUE CONNECT	1
6	CONTROL GEAR - PSU	1
7	PLATE	1
8	SCREW	1
9	DIFFUSER	1
10	END CAP	1
11	PROFILE	1
12	LIGHT SOURCE - LED STRIP	1

- A specific Wago tool #2065 can be ordered separately for wire insertion and release tool:



SKU	Color	Country
915005871901	BLACK	EU
915005872001	WHITE	EU



STATUS	DESCRIPTION	DESIGN ID	01	2021-07-05
LIANE Hue wall 12W 24V Disassembly instruction		DOC 12NC		
NAME	He Go	LOCAL PART ID	SH. 3	A3-L
CHECKED		DATE	2021-07-05	

