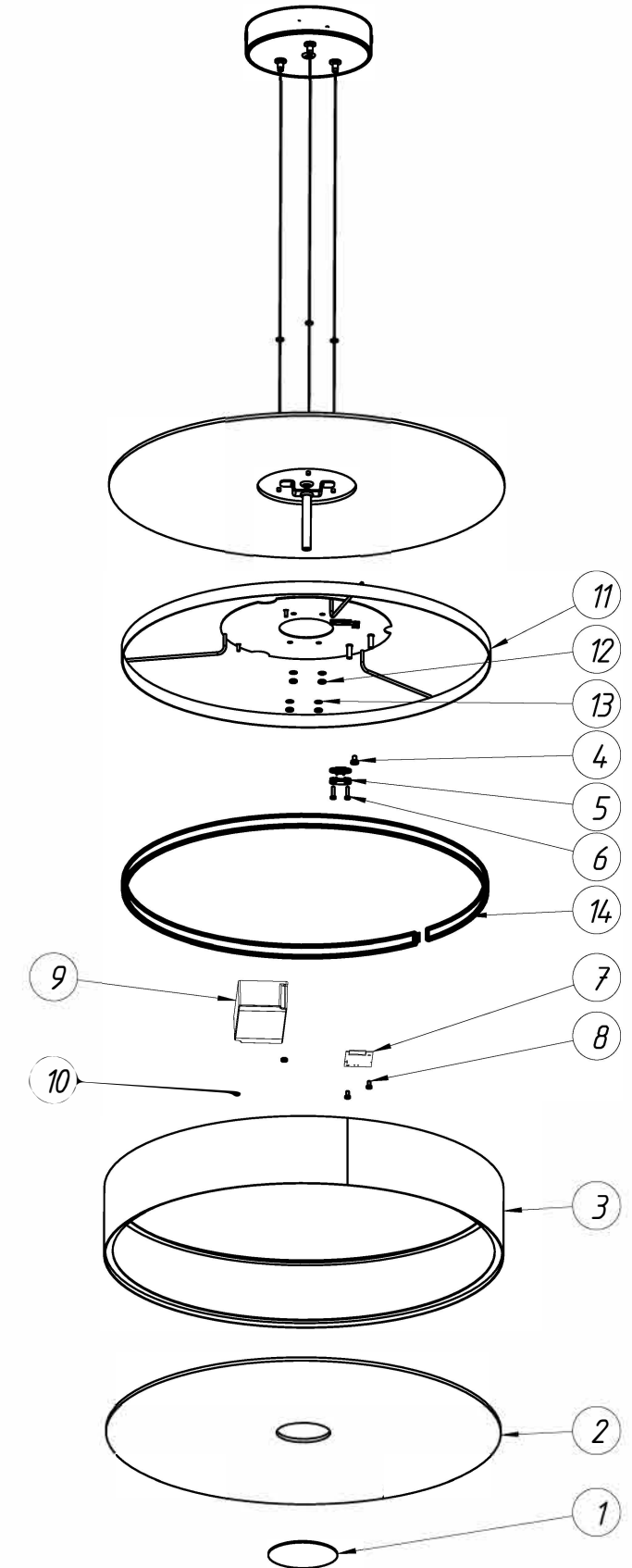


PHILIPS hue

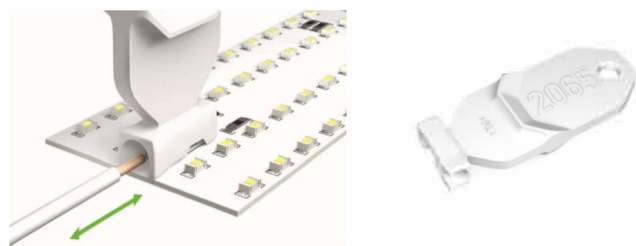
Warnings

Always make sure the luminaire is detached from the mains socket
 Always make sure the DC cable is detached from the power supply
 Staring at the operating light source may cause eye injury

| # | Disassemble/dismantle steps | Tools needed |
|---|--|---|
| a | Remove the deco part (1) by turning it counterclockwise. | - |
| b | Remove the glass (2). | - |
| c | Remove the deco ring (3). | - |
| d | Disconnect the earthing wire by loosening the screw (4). | TORXHEAD SCREW DRIVER T10 |
| e | Remove the pull relief (5) by unscrewing the screws (6). | TORXHEAD SCREW DRIVER T10 |
| f | Unclamp 2 close end connectors and loosen wires from CONTROL GEAR-PSU [9] and power supply cord. | PINCER |
| g | Remove flat cable from the LIGHT SOURCE - LED STRIP [14] and LIGHT SOURCE - HUE CONNECT [7] | - |
| h | Remove the CONTROL GEAR - PSU (9) from the heat sink (11) by unscrewing nuts (10) | SOCKET WRENCH |
| i | Remove the LIGHT SOURCE - HUE CONNECT (7) from the heat sink (11) by unscrewing screws (5) | TORXHEAD SCREW DRIVER T10 |
| j | Remove low voltage wires of the cable of LIGHT SOURCE - HUE CONNECT (7) | FLATHEAD SCREWDRIVER OR WAGO TOOL #2065 |
| k | Remove HEAT SINK by unscrewing nuts (12). | SOCKET WRENCH |
| l | Remove light strip (14) acc. to instruction: 442295215544_L2 Removal and Test Instruction Flex LED strip | See instruction. |



- A specific Wago tool #2065 can be ordered separately for wire insertion and release tool:



| # | COMPONENT | QTY |
|----|----------------------------|-----|
| 1 | DECO PART | 1 |
| 2 | GLASS | 1 |
| 3 | DECO RING | 1 |
| 4 | SCREW | 1 |
| 5 | PULL RELIEF | 2 |
| 6 | SCREW | 2 |
| 7 | LIGHT SOURCE - HUE CONNECT | 1 |
| 8 | SCREW | 2 |
| 9 | CONTROL GEAR - PSU | 1 |
| 10 | NUT | 2 |
| 11 | HEAT SINK | 1 |
| 12 | NUT | 4 |
| 13 | WASHER | 4 |
| 14 | LIGHT SOURCE - LED STRIP | 1 |

| SKU | Color | Country |
|--------------|-------|---------|
| 929003054401 | WHITE | EU |
| 929003054501 | BLACK | EU |

| | | | | |
|--|-------------|---------------|-------|------------|
| STATUS | DESCRIPTION | DESIGN ID | 01 | 2021-07-23 |
| Fair Hue pendant Disassembly instruction | | | | |
| NAME | He Go | LOCAL PART ID | SH. 1 | A3-L |
| CHECKED | DATE | 2021-07-23 | | |