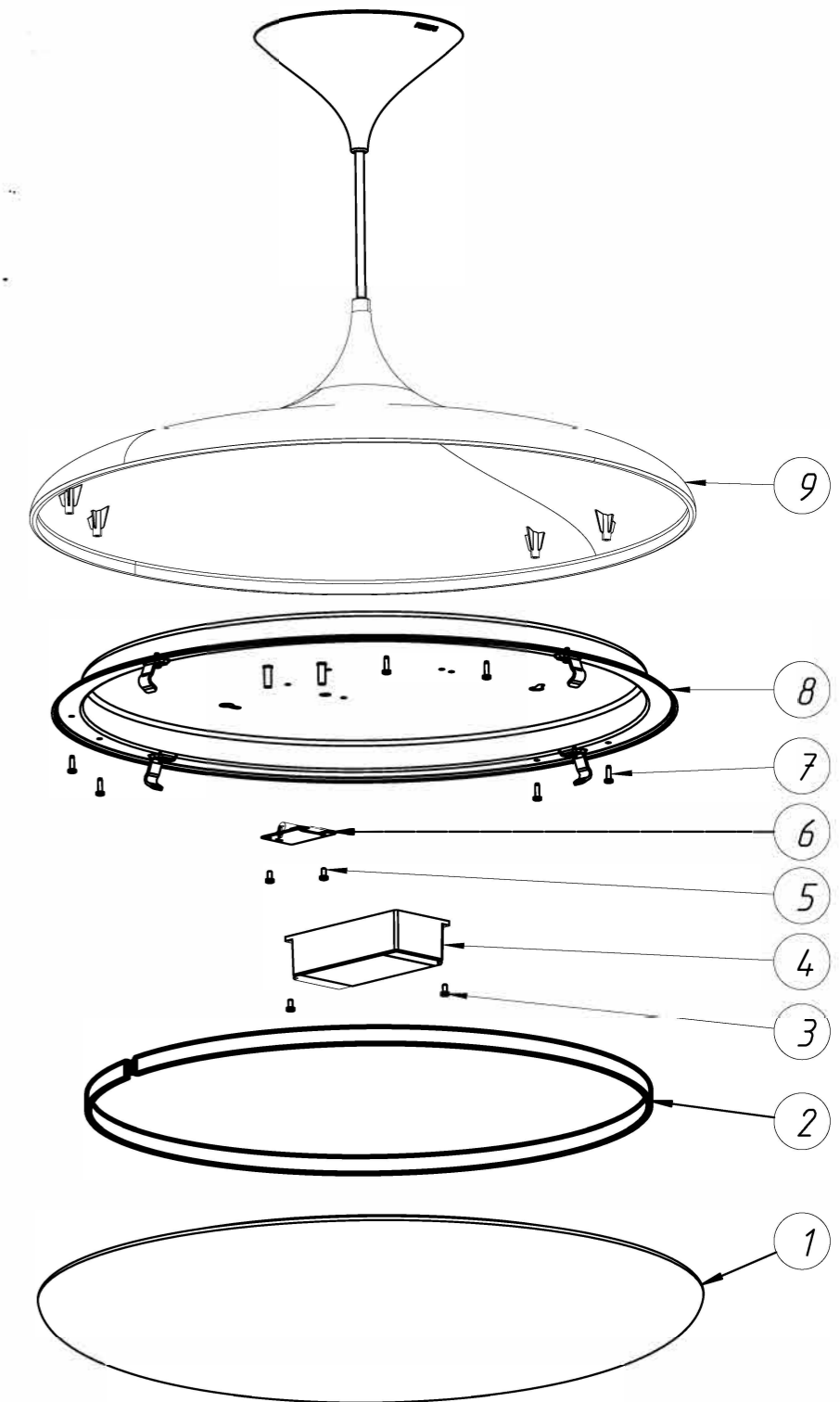


# PHILIPS hue

### Warnings

Always make sure the luminaire is detached from the mains socket  
 Always make sure the DC cable is detached from the power supply  
 Staring at the operating light source may cause eye injury



#	Disassemble/dismantle steps	Tools needed
a	Remove the diffuser (1) by pulling.	-
b	Remove the reflector (8) by unscrewing screws (7)	TORXHEAD SCREW DRIVER T10
c	Unclamp 2 close end connectors from the low voltage wires from CONTROL GEAR - PSU (4)	PINCER
d	Unscrew the earthing wire at the back of the reflector (8)	TORXHEAD SCREW DRIVER T10
e	Remove flat cable from the LIGHT SOURCE - LED STRIP [2] and LIGHT SOURCE - HUE CONNECT [6]	-
f	Remove low voltage wires of the cable of LIGHT SOURCE - HUE CONNECT (6)	FLATHEAD SCREWDRIVER OR WAGO TOOL #2065
g	Remove the LIGHT SOURCE - HUE CONNECT from the base (4) by unscrewing screws (5)	TORXHEAD SCREW DRIVER T10
h	Remove the CONTROL GEAR - PSU from the base (4) by unscrewing screws (3)	TORXHEAD SCREW DRIVER T10
i	Remove light strip acc.to instruction: 442295215544_L2 Removal and Test Instruction Flex LED strip	See document: 200604 - Instruction LED Strip Removal Procedure

- A specific Wago tool #2065 can be ordered separately for wire insertion and release tool:



#	COMPONENT	QTY
1	DIFFUSER	1
2	LIGHT SOURCE - LED STRIP	1
3	SCREW	2
4	CONTROL GEAR - PSU	1
5	SCREW	2
6	LIGHT SOURCE - HUE CONNECT	1
7	SCREW	6
8	REFLECTOR	1
9	COVER	1

SKU	Color	Country
929003054201	White	EU
929003054301	Black	EU

STATUS	DESCRIPTION	DESIGN ID
	Cher Hue pendant 1x33.5W 24V Disassembly instruction	01 2021-07-12
NAME He Go	LOCAL PART ID	SH. 2
CHECKED	DATE 2021-07-12	A3-L

