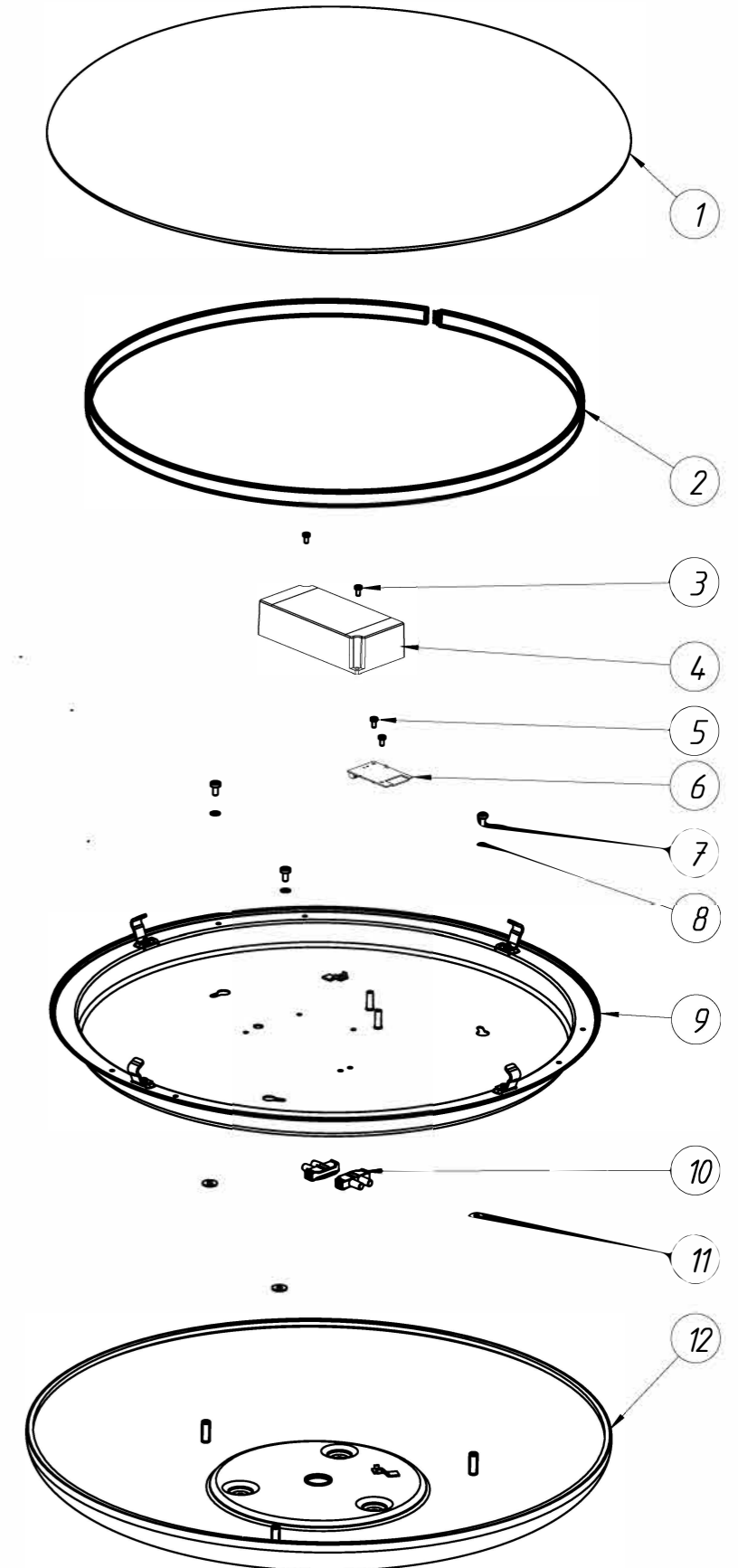


Warnings

Always make sure the luminaire is detached from the mains socket
Always make sure the DC cable is detached from the power supply
Staring at the operating light source may cause eye injury

#	Disassemble/dismantle steps	Tools needed
a	Remove the diffuser (1) by pulling.	-
b	Disconnect the earthing wire from the reflector (9) by loosening the screw	CROSSHEAD SCREWDRIVER PZ
c	Remove the reflector (9) from the base (12) by unscrewing screws (7)	TORXHEAD SCREW DRIVER T10
d	Remove flat cable from the LIGHT SOURCE - LED STRIP [2] and LIGHT SOURCE - HUE CONNECT [6]	-
e	Remove low voltage wires of LIGHT SOURCE - HUE CONNECT (6)	FLATHEAD SCREWDRIVER OR WAGO TOOL #2065
f	Remove wires out of the terminal blocks (10)	FLATHEAD SCREWDRIVER
g	Remove the CONTROL GEAR - PSU (4) from the reflector (9) by unscrewing screws (3)	TORXHEAD SCREW DRIVER T10
h	Remove the LIGHT SOURCE - HUE CONNECT (6) from the reflector (9) by unscrewing screws (5)	TORXHEAD SCREW DRIVER T10
i	Remove light strip (2) acc. to instruction: 442295215544_L2 Removal and Test Instruction Flex LED strip	See instruction.



#	COMPONENT	QTY
1	DIFFUSER	1
2	LIGHT SOURCE - LED STRIP	1
3	SCREW	2
4	CONTROL GEAR - PSU	1
5	SCREW	2
6	LIGHT SOURCE - HUE CONNECT	1
7	SCREW	3
8	WASHER	3
9	REFLECTOR	1
10	TERMINAL BLOCK	2
11	WASHER	3
12	BASE	1

SKU	Color	Country
929003055601	BLACK	EU

STATUS	DESCRIPTION	DESIGN ID	01	2021-07-26
Cher ceiling Disassembly instruction		DOC 12NC		
NAME	He Go	LOCAL PART ID	SH. 2	A3-L
CHECKED		DATE	2021-07-26	

