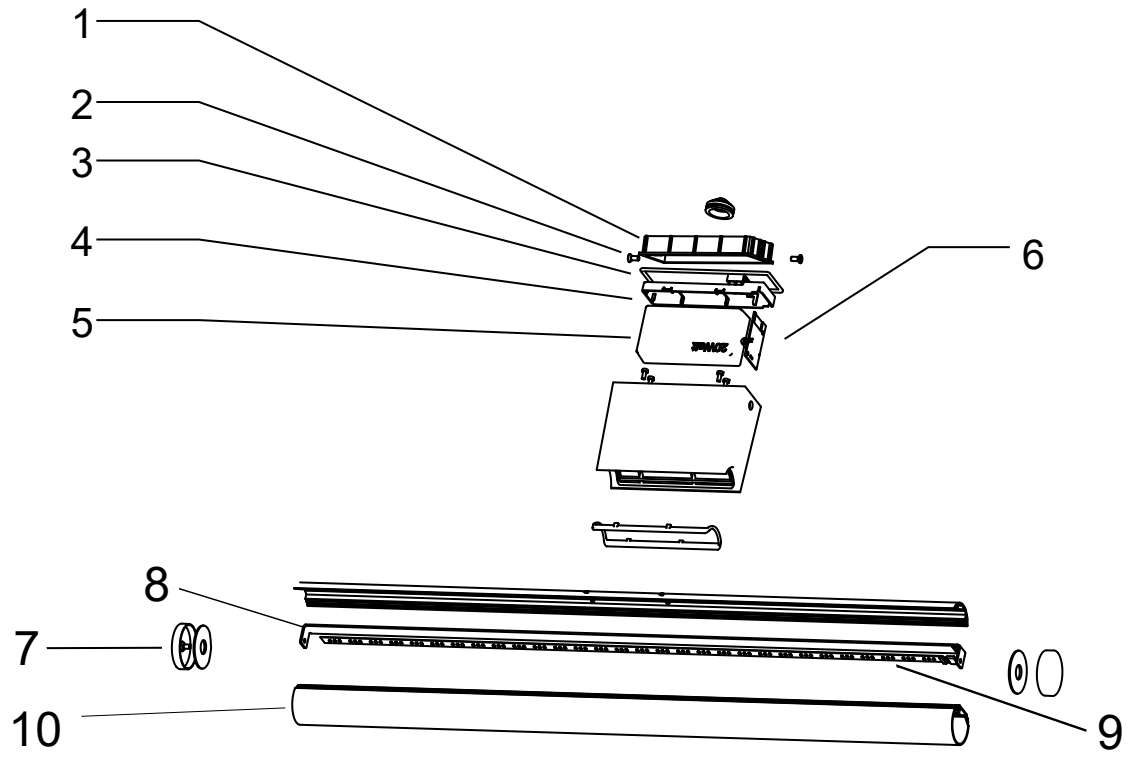


Warnings
 Always make sure the luminaire is detached from the mains socket
 Always make sure the DC cable is detached from the power supply
 Staring at the operating light source may cause eye injury



#	Disassembly Instructions
a	Take out the screw[2]
b	Use the screwdriver to open the base[1]
c	take out silicon ring[3]
d	Use the screwdriver to open the plastic cover[4]
e	remove the wire from driver[5] out of Hue Connect[6]
f	Pick out the driver[5]
g	unplug flat cable from Hue Connect[6]
h	Pick out the Hue Connect[6]
i	Use the screwdriver to take out the endcap[7]
j	remove the diffuser[10]
k	unplug flat cable from LED lightstrip[9]
l	remove LED lightstrip[9] from Heatspreader[8]

*
 FOR LIGHT SOURCE-LED STRIP REMOVAL PLEASE SEE DOCUMENT
 442295215544_L2 Removal and Test Instruction Flex LED strip

#	COMPONENT	QTY
1	Base	1
6	Hue Connect	1
5	Driver	1
4	Plastic cover	1
3	Silicon ring	1
2	Screw	2
7	Endcap	2
8	Heatspreader	1
9	LED lightstrip	1
10	Diffuser	1

SKU	Color	Country
929003056501	White	EU
929003056601	White	EU