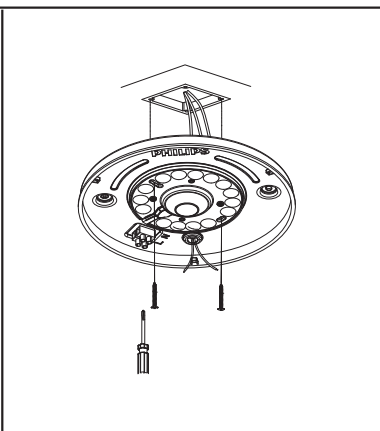
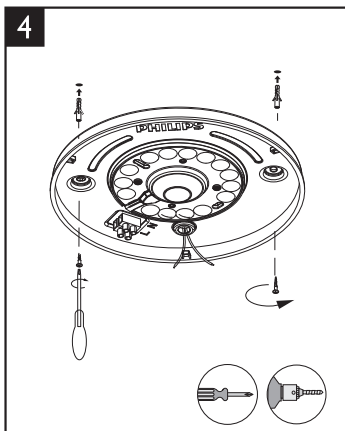
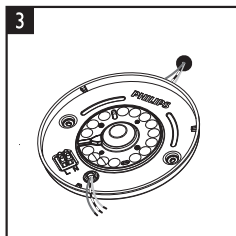
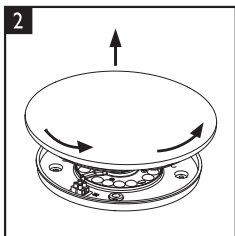
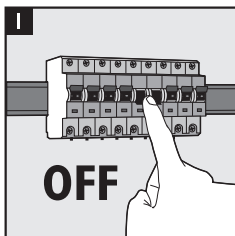
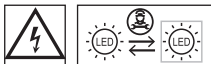
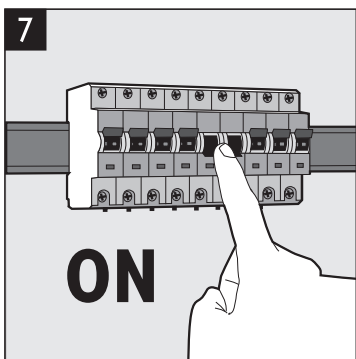
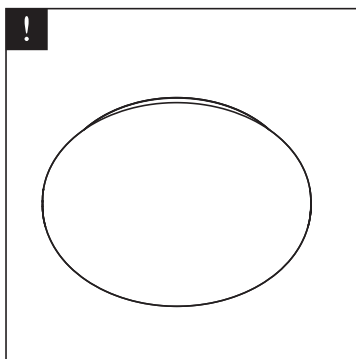
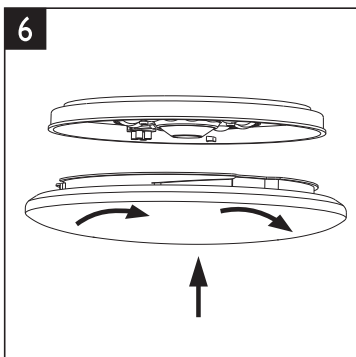
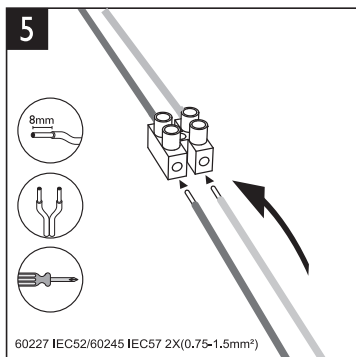


PHILIPS

Moire





F 9150057776A 9150057782A

E 9150057777A 9150057783A

Philips and the Philips shield emblem are registered trademarks of Koninklijke Philips N.V. and are used under license

Signify
I.B.R.S. / C.C.R.I. Numéro 10461
5600 VB Eindhoven, the Netherlands
www.philips.com/lighting

Signify Commercial UK Limited
Unit 3, Guildford Business Park,
Guildford, Surrey, GU2 8XG, UK



© 2023 Signify Holding

©ignify

3241 660 52111

Last update: 03/02/23