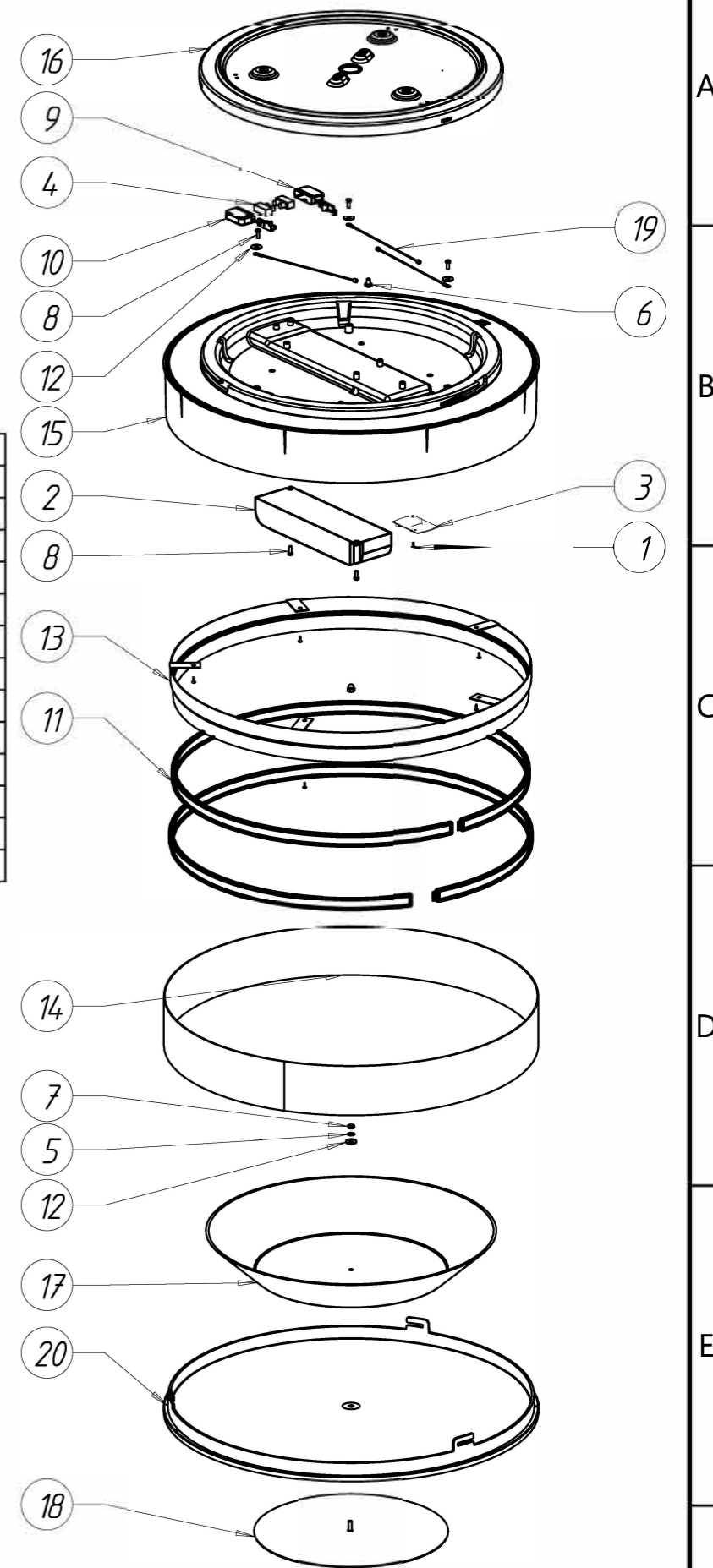


PHILIPS hue

Warnings

Always make sure the luminaire is detached from the mains socket
 Always make sure the DC cable is detached from the power supply
 Staring at the operating light source may cause eye injury

#	Disassemble/dismantle steps	Tools needed
a	Press and rotate diffuser [20] by hand counter clockwise until it unsnap.Lift the diffuser up to remove it from base [15]	-
b	Unscrew one nut [7] and remove washer [12], tooth washer [5] and reflector [17] from diffuser [20]	SOCKET WRENCH
c	Remove deco ring [14] by lifting up from the base [15]	-
d	Unplug flat cable from Light source - hue connect [3] and Light source - led strips [11]	-
e	Unplug wires of the control gear - psu [2] from light source-hue connect [3]	FLATHEAD SCREWDRIVER OR WAGO TOOL #2065
f	Unscrew one screw [1] and remove light source-hue connect [3]	TORXHEAD SCREW DRIVER T10
g	Unscrew 5 screws [1] and remove heat sink [13] with light source - led strips [11]	TORXHEAD SCREW DRIVER T10
h	Remove light source - led strips [11] from heat sink [13]	See instruction *
i	Rotate bracket [16] by hand counter clockwise until it unsnap.Lift bracket up to remove it from base [15]	-
j	Remove terminal blocks [4] by unscrewing wires of the control gear - psu [2],remove cover N [9] and cover L [10]	FLATHEAD SCREWDRIVER
k	Unscrew 3 screws [8] and remove suspension cables [19] and washers [12] from base [15]	TORXHEAD SCREW DRIVER T10
l	Unscrew 1 screw [6] and remove it from bracket [16]	CROSSHEAD SCREWDRIVER PZ
m	Unscrew 2 screws [8] and remove control gear [2] from base [15]	TORXHEAD SCREW DRIVER T10



#	COMPONENT	QTY
1	Screw	6
2	Control gear - psu	1
3	Light source - hue connect	1
4	Terminal block	2
5	Washer	1
6	Screw	1
7	Nut	1
8	Screw	5
9	Cover N	1
10	Cover L	1
11	Light source - led strip	2
12	Washer	4
13	Heat sink	2
14	Deco ring	1
15	Base	1
16	Bracket	1
17	Reflector	1
18	Deco plate	1
19	Suspension cable	3
20	Diffuser	1

SKU	Color	Country
915005997401	White	EU/UK
915005997501	Black	EU/UK
915005997901	White	EU/UK

* FOR LIGHT SOURCE-LED STRIP REMOVAL PLEASE SEE DOCUMENT 442295215544_L2 Removal and Test Instruction Flex LED strip

STATUS	DESCRIPTION	DESIGN ID	01	2021-07-01
Hue Infuse L ceiling lamp white/black/IP44		DOC 12NC		
NAME	Pa Kul	LOCAL PART ID	SH. 1	SH. 511
CHECKED	DATE	2021-07-01		A3-L
CONFIDENTIAL, PROPERTY OF: © 2021 Signify Holding				