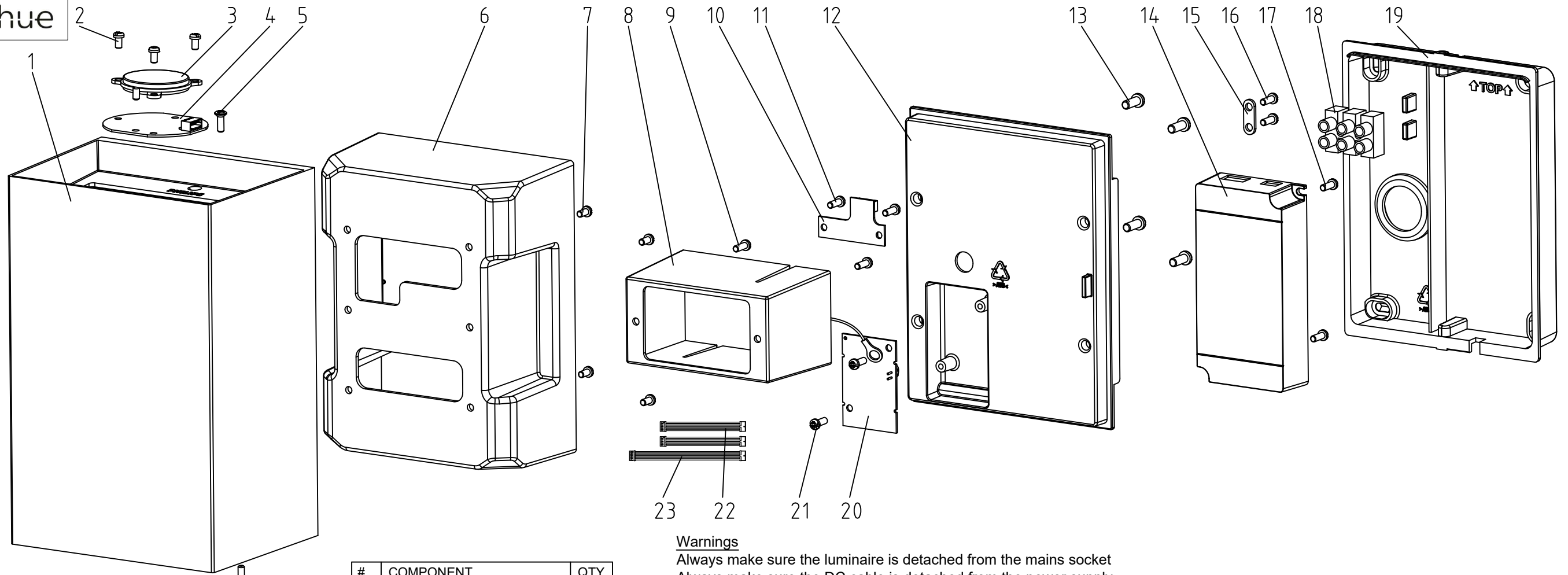


PHILIPS
hue



#	COMPONENT	QTY
1	BODY	1
2	SCREW	6
3	DIFFUSER	2
4	LIGHT SOURCE - LED MODULE	2
5	SCREW	2
6	LENS	1
7	SCREW	4
8	BOX	1
9	SCREW	2
10	SPLITTER	1
11	SCREW	2
12	COVER	1
13	SCREW	4
14	CONTROL GEAR - PSU	1
15	CLAMPER	1
16	SCREW	2
17	SCREW	2
18	TERMINAL BLOCK	1
19	BASE	1
20	LIGHT SOURCE - HUE CONNECT	1
21	SCREW	2
22	SHORT FLAT CABLE	2
23	LONG FLAT CABLE	1

Warnings

Always make sure the luminaire is detached from the mains socket
Always make sure the DC cable is detached from the power supply
Staring at the operating light source may cause eye injury

#	Disassemble/dismantle steps	Tools needed
a	REMOVE BASE (19) BY UNSCREWING THE SCREWS (5)	CROSS HEAD SCREW DRIVER
b	UNSCREW WIRES FROM THE TERMINAL BLOCK (18)	FLAT HEAD SCREW DRIVER
c	REMOVE CLAMPER (15) BY UNSCREWING THE SCREWS (16)	CROSS HEAD SCREW DRIVER
d	REMOVE COVER (12) FROM THE BODY (1) BY UNSCREWING THE SCREWS (13)	CROSS HEAD SCREW DRIVER
e	REMOVE LIGHT SOURCE - HUE CONNECT (20) FROM THE COVER (12) BY UNSCREWING THE SCREWS (21)	CROSS HEAD SCREW DRIVER
f	REMOVE LONG FLAT CABLE (23) FROM THE LIGHT SOURCE - HUE CONNECT (20) AND SPLITTER (10)	-
g	REMOVE WIRES OF THE CONTROL GEAR - PSU (14) FROM THE LIGHT SOURCE - HUE CONNECT (20)	FLATHEAD SCREWDRIVER OR WAGO TOOL #2065
h	REMOVE THE LIGHT SOURCE - HUE CONNECT (20)	-
i	REMOVE THE CONTROL GEAR - PSU (14) BY UNSCREWING THE SCREWS (17)	CROSS HEAD SCREW DRIVER
j	REMOVE SHORT FLAT CABLES (22) FROM THE LIGHT SOURCE - LED MODULES (4) AND SPLITTER (10)	-
k	REMOVE THE SPLITTER (10) BY UNSCREWING THE SCREWS (11)	CROSS HEAD SCREW DRIVER
l	REMOVE THE BOX (8) BY UNSCREWING THE SCREWS (9)	CROSS HEAD SCREW DRIVER
m	REMOVE LENS (6) BY UNSCREWING THE SCREWS (7)	CROSS HEAD SCREW DRIVER
n	REMOVE LIGHT SOURCE - LED MODULES (4) AND THE DIFFUSERS (3) BY UNSCREWING THE SCREWS (2)	CROSS HEAD SCREW DRIVER

SKU	Color	Country
915005842901	BLACK	EU
915005843001	STAINLESS STEEL	EU

STATUS	DESCRIPTION	DESIGN ID
2021-04-12	Resonate wall lantern black 2x8W 24 Resonate wall lantern inox 2x8W 24V	DOC 12NC
NAME WH	LOCAL PART ID	SH. 1
CHECKED	DATE	SH.

A3-P