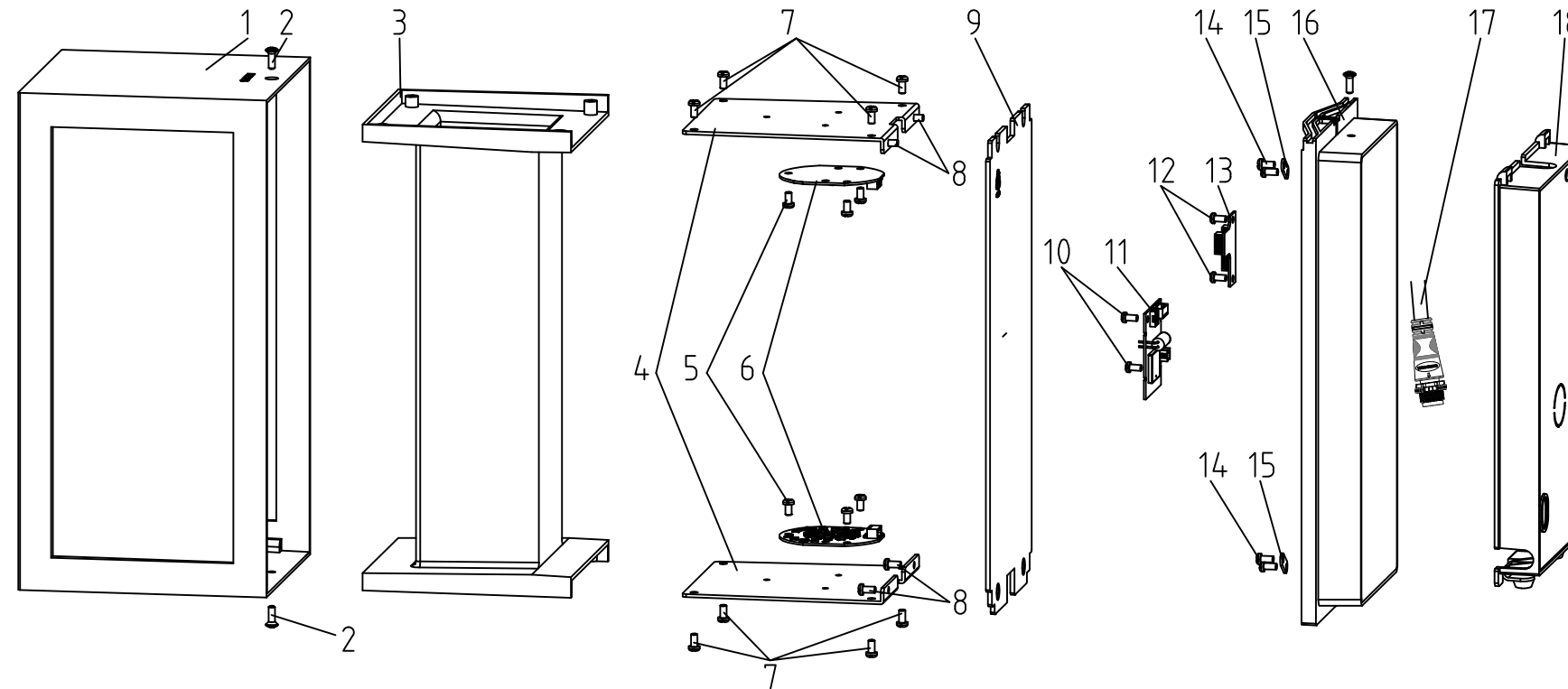


**PHILIPS**  
hue



| #  | COMPONENT                  | QTY |
|----|----------------------------|-----|
| 1  | COVER                      | 1   |
| 2  | SCREW                      | 2   |
| 3  | DIFFUSER                   | 1   |
| 4  | HEATSINK                   | 2   |
| 5  | SCREW                      | 6   |
| 6  | LIGHT SOURCE - LED MODULE  | 2   |
| 7  | SCREW                      | 8   |
| 8  | SCREW                      | 4   |
| 9  | PLATE                      | 1   |
| 10 | SCREW                      | 2   |
| 11 | LIGHT SOURCE - HUE CONNECT | 1   |
| 12 | SCREW                      | 2   |
| 13 | SPLITTER                   | 1   |
| 14 | SCREW                      | 4   |
| 15 | CLAMPER                    | 2   |
| 16 | BASE                       | 1   |
| 17 | CABLE                      | 1   |
| 18 | WALL PLATE                 | 1   |

**Warnings**

Always make sure the luminaire is detached from the mains socket  
Always make sure the DC cable is detached from the power supply  
Staring at the operating light source may cause eye injury

| # | Disassemble/dismantle steps   | Tools needed                            |
|---|---|---|
| a | REMOVE COVER (1) BY UNSCREWING THE SCREWS (2)                                       | CROSS HEAD SCREW DRIVER                 |
| b | REMOVE DIFFUSER (3) BY UNSCREWING THE SCREWS (7)                                    | CROSS HEAD SCREW DRIVER                 |
| c | REMOVE PLATE (9) BY UNSCREWING THE SCREWS (8)                                       | CROSS HEAD SCREW DRIVER                 |
| d | REMOVE LIGHT SOURCE - LED MODULE (6) FROM HEATSINK (4) BY UNSCREWING THE SCREWS (7) | CROSS HEAD SCREW DRIVER                 |
| e | REMOVE SPLITTER (13) FROM THE BASE (16) BY UNSCREWING THE SCREWS (12)               | CROSS HEAD SCREW DRIVER                 |
| f | REMOVE LIGHT SOURCE - HUE CONNECT FROM THE BASE (16) BY UNSCREWING THE SCREWS (10)  | CROSS HEAD SCREW DRIVER                 |
| g | REMOVE THE WIRE OF CABLE (17) FROM LIGHT SOURCE - HUE CONNECT(11)                   | FLATHEAD SCREWDRIVER OR WAGO TOOL #2065 |

| SKU          | Color | Country |
|--------------|-------|---------|
| 915005842101 | BLACK | EU      |

| STATUS     | DESCRIPTION                         | DESIGN ID |
|------------|-------------------------------------|-----------|
| 2021-04-12 | IMPRESS wall lantern black 2x8W 24V | DOC 12NC  |
| NAME WH    | LOCAL PART ID                       | SH. 1     |
| CHECKED    | DATE                                | SH.       |
|            |                                     | A3-P      |