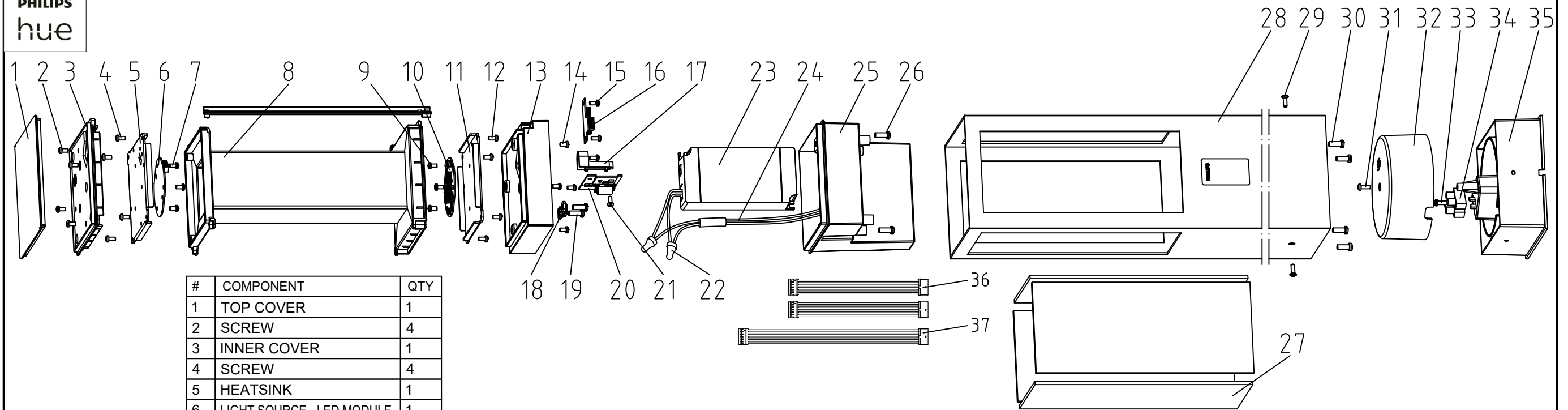


PHILIPS
hue



#	COMPONENT	QTY
1	TOP COVER	1
2	SCREW	4
3	INNER COVER	1
4	SCREW	4
5	HEATSINK	1
6	LIGHT SOURCE - LED MODULE	1
7	SCREW	3
8	DIFFUSER	1
9	SCREW	3
10	LIGHT SOURCE - LED MODULE	1
11	HEATSINK	1
12	SCREW	3
13	UPPER BOX	1
14	SCREW	4
15	SCREW	2
16	SPLITTER	1
17	BRACKET	1
18	CLAMPER	1
19	SCREW	2
20	LIGHT SOURCE - HUE CONNECT	1
21	SCREW	1
22	CLOSED END CONNECTOR	2
23	CONTROL GEAR - PSU	1
24	CABLE	2
25	LOWER BOX	1
26	SCREW	2
27	GLASS	4
28	PROFILE	1
29	SCREW	3
30	SCREW	4
31	SCREW	1
32	COVER	1
33	SCREW	1
34	TERMINAL BLOCK	1
35	BASE	1
36	SHORT FLAT CALBLE	2
37	LONG FLAT CABLE	1

Warnings

Always make sure the luminaire is detached from the mains socket
Always make sure the DC cable is detached from the power supply
Staring at the operating light source may cause eye injury

#	Disassemble/dismantle steps	Tools needed
a	REMOVE THE TOP COVER (1)	FLAT HEAD SCREW DRIVER
b	REMOVE INNER COVER (3) BY UNSCREWING THE SCREWS (2)	CROSS HEAD SCREW DRIVER
c	REMOVE THE GLASSES (27)	-
d	UNSCREW THE SCREWS (29)	CROSS HEAD SCREW DRIVER
e	REMOVE THE COVER (32) BY UNSCREWING THE SCREW (31)	CROSS HEAD SCREW DRIVER
f	REMOVE TERMINAL BLOCK (34) FROM THE BASE (35) BY UNSCREWING THE SCREWS (33)	CROSS HEAD SCREW DRIVER
g	REMOVE THE PROFILE (28) BY UNSCREWING THE SCREWS (30)	CROSS HEAD SCREW DRIVER
h	UNSCREW THE SCREWS (4)	CROSS HEAD SCREW DRIVER
i	REMOVE LIGHT SOURCE - LED MODULE (6) BY UNSCREWING THE SCREWS (7)	CROSS HEAD SCREW DRIVER
j	REMOVE THE LONG FLAT CABLE (37) FROM THE LIGHT SOURCE - LED MODULE (6)	-
k	REMOVE LOWER BOX (25) BY UNSCREWING THE SCREWS (26)	CROSS HEAD SCREW DRIVER
l	REMOVE CLAMPER (18) BY UNSCREWING THE SCREWS (19)	CROSS HEAD SCREW DRIVER
m	REMOVE THE CLOSED END CONNECTOR (22)	PINCER
n	REMOVE WIRE OF THE CONTROL GEAR - PSU (23) FROM THE LIGHT SOURCE - HUE CONNECT (20)	FLATHEAD SCREWDRIIVER OR WAGO TOOL #2065
o	REMOVE SHORT FLAT CABLES (36) AND LONG FLAT CABLE (37) FORM THE SPLITTER (16) AND THE LIGHT SOURCE - HUE CONNECT (20)	-
p	REMOVE LIGHT SOURCE - HUE CONNECT (20) BY UNSCREWING THE SCREW (21)	CROSS HEAD SCREW DRIVER
q	REMOVE THE SPLITTER (16) BY UNSCREWING THE SCREWS (15)	CROSS HEAD SCREW DRIVER
r	REMOVE UPPER BOX (13) BY UNSCREWING THE SCREWS (14)	CROSS HEAD SCREW DRIVER
s	REMOVE THE DIFFUSER (8) BY UNSCREWING THE SCREWS (8)	CROSS HEAD SCREW DRIVER
t	REMOVE LIGHT SOURCE - LED MODULE (10) BY UNSCREWING THE SCREWS (9)	CROSS HEAD SCREW DRIVER

SKU	Color	Country
915005731001	BLACK	EU
915005731101	BLACK	EU

STATUS	DESCRIPTION	DESIGN ID
2021-04-12	Impress Hue WACA EU pedestal black 2x8W Impress Hue WACA EU post black	DOC 12NC
NAME WH	LOCAL PART ID	SH. 1
CHECKED	DATE	SH.

A3-P