

INSTALLATION INSTRUCTIONS

IMPORTANT : READ CAREFULLY BEFORE INSTALLING FIXTURE. RETAIN FOR FUTURE REFERENCE

Wal-Pak Wire Guard Sheet 1 of 1

2/10/10

IMI-721A



GENERAL: Upon receipt of the fixture, thoroughly inspect for any freight damage which should be brought to the attention of the delivery carrier. Compare the catalog description listed on the packing slip with the fixture label on the housing to assure you have received the correct material.

SAFETY: This fixture must be wired in accordance with the National Electrical Code and applicable local codes and ordinances. Proper grounding is required to insure personal safety. Carefully observe grounding procedure under installation section.

WARNING: Make certain power is OFF before starting installation or attempting any maintenance. Risk of fire/electric shock. If not qualified, consult an electrician.

- RISK OF ELECTRIC SHOCK—Disconnect power at fuse or circuit breaker before installing or servicing
- RISK OF BURN—Disconnect power and allow fixture to cool before servicing
- RISK OF PERSONAL INJURY—Fixture may become damaged and/or unstable if not installed properly.
- DO NOT mount luminaire within 6" of a combustible surface.

TOOLS REQUIRED: Drill, Phillips screwdriver, drill bit #26

FIELD INSTALLATION PROTECTIVE WIRE GUARD DOOR (FIG. 1 thru 4)

1. Using a Phillips screwdriver, loosening door screw. Support door while it swings open.
2. If necessary, door may be removed by detaching chain and removing chain screw; rotating the door to approximately 100° from closed position to align the hinge and slide door out to the left. Do not force or rotate the door while sliding out as this will cause the hinges to break.
3. Using drill bit #26, drill four (4) thru-holes from inside the door and perpendicular to door's exterior surface **FIG. 1**. For FCO door **FIG 2**, drill two (2) holes on the inside of door and two (2) holes on the outside of door **FIG 3**. Do not drill through door reflector. To avoid damage, remove door reflector before drilling.
4. Install wire guard on the door with #8-32 Taptite screws (provided) **FIG 4**. Re-secure door to link chain. Re-install door by tightening door screw until it comes to a stop.

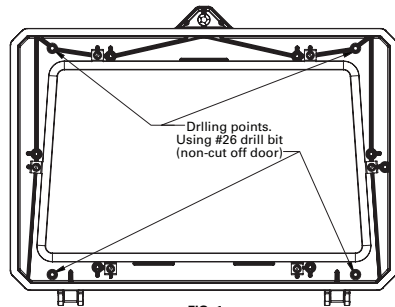


FIG. 1
NON-CUT
OFF DOOR

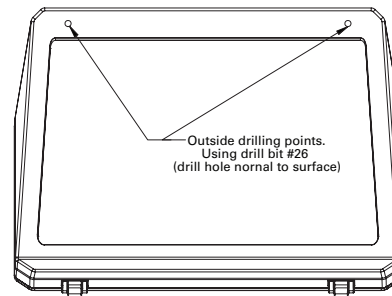


FIG. 3
FCO DOOR

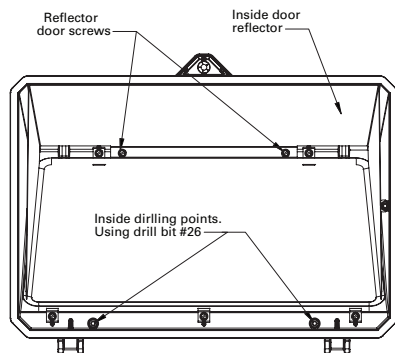


FIG. 2
FCO DOOR

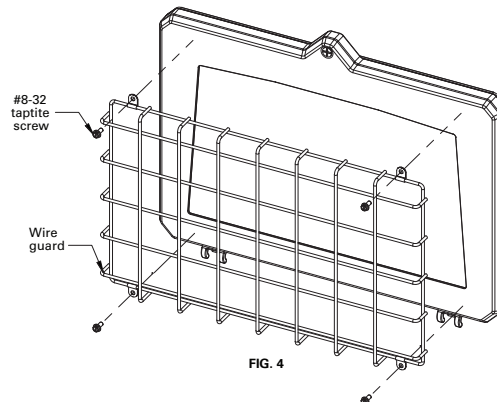


FIG. 4

These instructions do not claim to cover all details or variations in the equipment, procedure, or process described, nor to provide directions for meeting every possible contingency during installation, operation or maintenance. When additional information is desired to satisfy a problem not covered sufficiently for user's purpose, please contact your nearest representative.

NOTE: Specifications and dimensions subject to change without notice.