

## DESCRIPTION

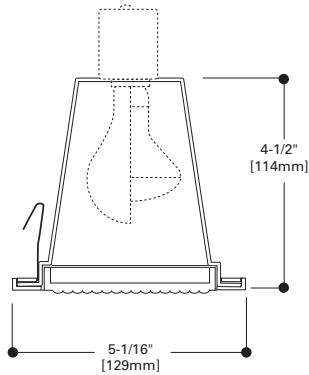
Lensed showerlight trim for 4" H99 incandescent family of recessed housings. Non-conductive, non-corrosive polymer trim ring is available in a variety of finishes. Polymer trim and glass lens are non-electrically conductive for "dead-front" code compliance where required. The 951 features a prismatic finish glass lens and full reflector for even light distribution. 951 trim is wet location listed for use as a showerlight. Three "cat's paw" springs secure trim in housing.

Catalog #		Type
Project		
Comments		Date
Prepared by		

## SPECIFICATION FEATURES

951 is designed for use with the following small aperture housings.

- Incandescent Housing
  - H99TAT - 40W A19, 50W PAR20, 50W R20
  - H99RTAT - 40W A19, 50W PAR20, 50W R20
  - H99ICAT - 30W R20, 35W PAR20  
(50W PAR20 with H1999 Socket Extender)



*Showerlight*

**951PS**

White Trim with Full Reflector and Glass Lens



*Showerlight*

**951SNS**

Satin Nickel Trim with Full Reflector and Glass Lens



*Showerlight*

**951ACS**

Antique Copper Trim with Full Reflector and Glass Lens

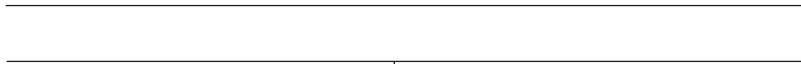


*Showerlight*

**951TBZS**

Tuscan Bronze Trim with Full Reflector and Glass Lens

Trim



- 951PS**= White Polymer Trim Ring, Prismatic Finish Glass Lens, Wet Location Listed
- 951SNS**= Satin Nickel Polymer Trim Ring, Prismatic Finish Glass Lens, Wet Location Listed
- 951ACS**= Antique Copper Polymer Trim Ring, Prismatic Finish Glass Lens, Wet Location Listed
- 951TBZS**= Tuscan Bronze Polymer Trim Ring, Prismatic Finish Glass Lens, Wet Location Listed

## Accessory

**H1999**  
Socket Extender



## 951 Showerlight

**4" TRIMS**

Note: Specifications and Dimensions subject to change without notice.

Visit our web site at [www.cooperlighting.com](http://www.cooperlighting.com)

Customer First Center 1121 Highway 74 South Peachtree City, GA 30269 770.486.4800 FAX 770.486.4801