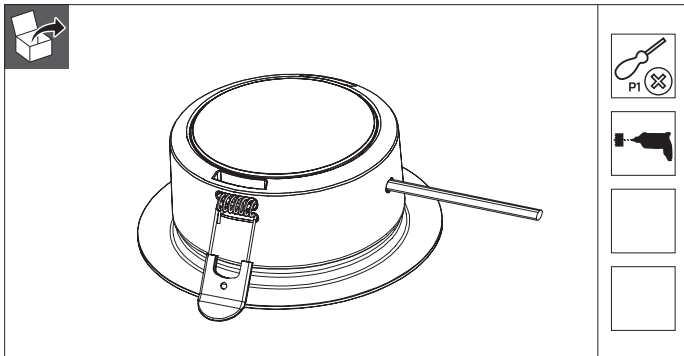


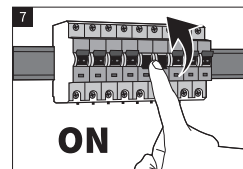
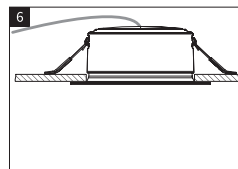
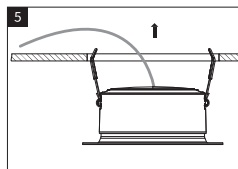
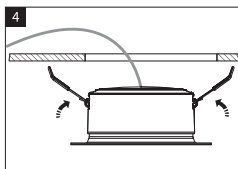
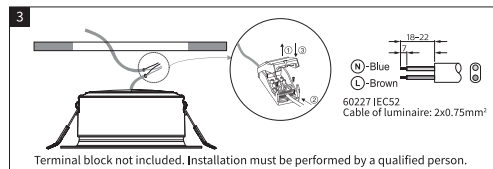
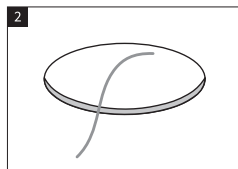
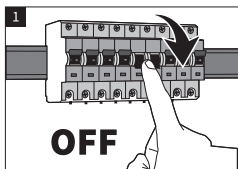
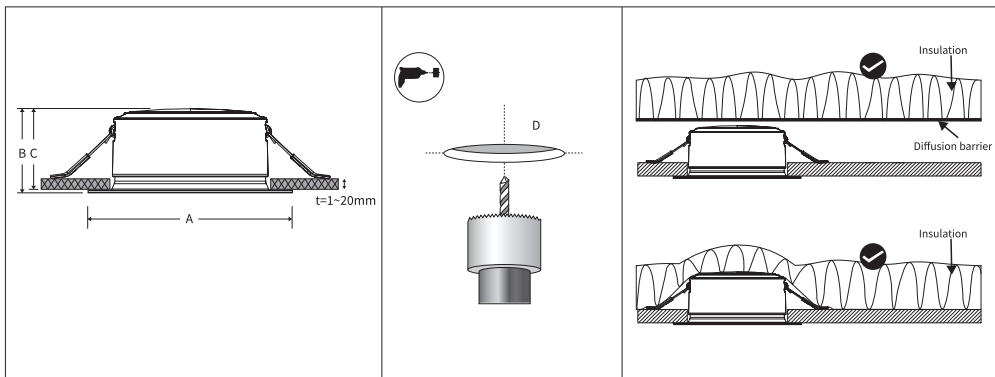
# PHILIPS

## Ultra Efficient Diamond Cut

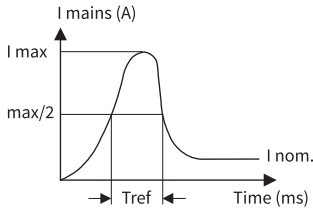
DL264



Model	Product Description	Power(W)	CRI(Ra)	CCT(K)	Total Lumen(lm)	Energy efficiency class of light source	Dimension AxB,C(mm)	Cut-Out D(mm)	Weight (kg)
9290032588	Diamond cut ultra efficient DL264 75 30K EU	2	80	3000	360	A	φ95*49,5,48	φ68-80	0.083
9290032481	Diamond cut ultra efficient DL264 75 40K EU	2	80	4000	360	A	φ95*49,5,48	φ68-80	0.083
9290032593	Diamond cut ultra efficient DL264 90 30K EU	2.2	80	3000	400	A	φ105*49,5,48	φ80-90	0.099
9290032594	Diamond cut ultra efficient DL264 90 40K EU	2.2	80	4000	400	A	φ105*49,5,48	φ80-90	0.099
9290033242	Diamond cut ultra efficient DL264 125 30K	4.8	80	3000	900	A	φ145*49,5,48	φ120-130	0.165
9290033243	Diamond cut ultra efficient DL264 125 40K	4.8	80	4000	900	A	φ145*49,5,48	φ120-130	0.165
9290033244	Diamond cut ultra efficient DL264 150 30K	6.5	80	3000	1150	A	φ170*49,5,48	φ145-155	0.204
9290033245	Diamond cut ultra efficient DL264 150 40K	6.5	80	4000	1150	A	φ170*49,5,48	φ145-155	0.204



## Inrush Current



	9290032481 9290032588	9290032593 9290032594	9290033242 9290033243	9290033244 9290033245
Electrical characteristic				
I <sub>max</sub> (A)	15	18	25.6	16.4
T <sub>ref</sub> (ms)	0.06	0.07	0.10	0.07
MCB	Luminaires Max.(pcs)			
Type B-10A	98	64	25	64
Type B-16A	158	104	42	104
Type C-10A	164	109	44	108
Type C-16A	264	175	71	174



ATTENTION  
OBSERVE PRECAUTIONS  
FOR HANDLING  
ELECTROSTATIC  
SENSITIVE  
DEVICES

- 01 Please read this manual before you start to install the luminaire.
- 02 The luminaire shall be installed by a qualified electrician and wired in accordance with the latest IEE electrical regulations of the national requirements.
- 03 Switch OFF the power supply before the installation or maintenance to avoid electrical shock.
- 04 The luminaire must not be used or stored in corrosive environment where hazardous materials such as Sulphur, Chlorine, Phthalates, etc., are present.

**ATTENTION: In B manual, you will find all the explanations with numeric reference to the icons respectively in front of these safety instructions.**



3241 660 41452

© 2023 Signify Holding

Signify