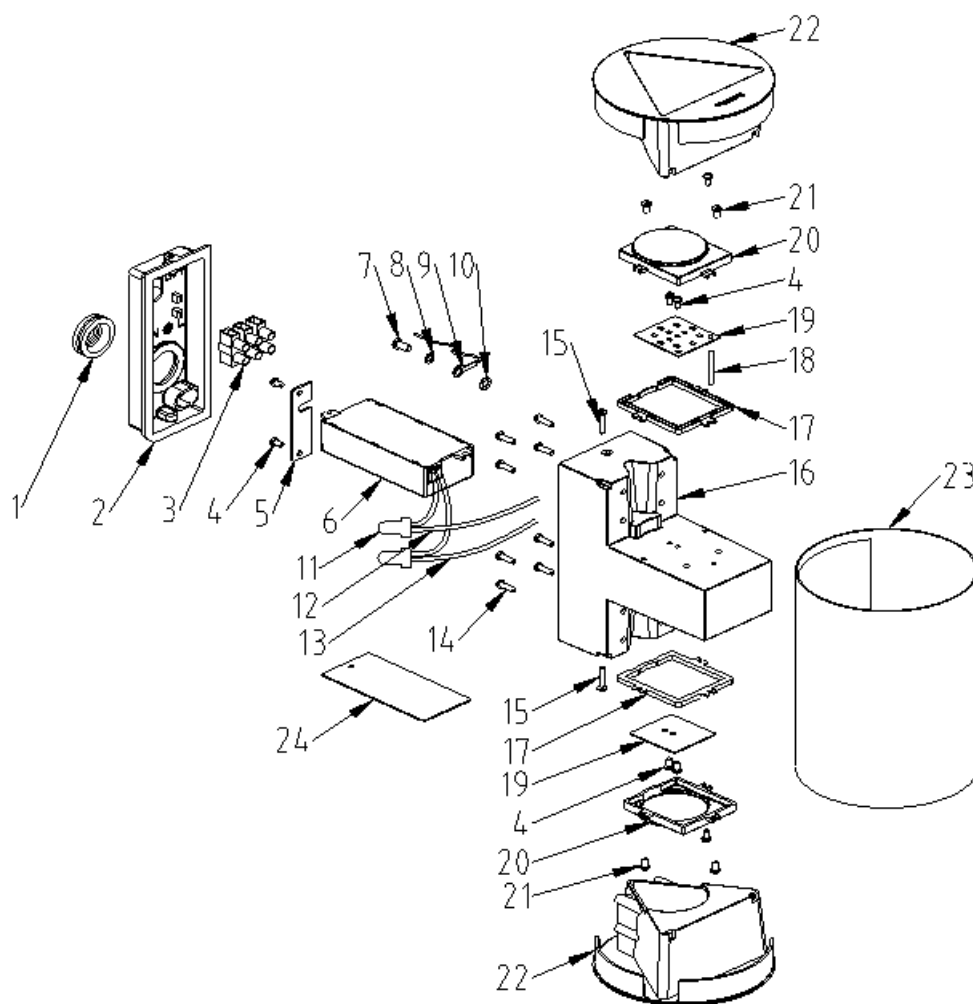


Dismantling Recommendation on Disposal at End of Life

Composition Explanation



No.	Components	Specifications	Unit	Quantity
1	φ27 gromet	TPE	PCS	1
2	17OU1-17357J wall plate	ABS	PCS	1
3	Terminal block	PA10	PCS	1
4	M3*5 screw	Zinc coated	PCS	6
5	17OU1-17357J driver bracket	Q235A,T=1.5MM	PCS	1
6	PYS-10-350 10W driver		PCS	1

Dismantling Recommendation on Disposal at End of Life

Composition Explanation

No.	Components	Specifications	Unit	Quantity
7	M4*8 screw	Zinc coated	PCS	1
8	φ4 spring washer	SS	PCS	1
9	Earthing wire		PCS	1
10	φ4 teeth washer	Zinc coated	PCS	1
11	CE2 closed end connector		PCS	2
12	VDE red wire	H05S-K,1*0.5mm ²	PCS	1
13	VDE black wire	H05S-K,1*0.5mm ²	PCS	1
14	ST2.9*10 screw	Zinc coated	PCS	8
15	BT3*10 screw	SS304	PCS	2
16	17OU1-17357J wall plate	ADC12	PCS	1
17	17OU1-17357J gasket	Rubber	PCS	2
18	VDE white wire	H05S-K,1*0.5mm ²	PCS	1
19	YL20-6-8DB4W-C006	YL20-6-8DB4W-C006	PCS	2
20	17OU1-17357J diffuser	PC	PCS	2
21	M3*6 screw	Zinc coated	PCS	6
22	17OU1-17357J cover	ABS	PCS	2
23	17OU1-17357J body	SS 304	PCS	1
24	17OU1-17357J heat sink	AL, T=1MM	PCS	1

Dismantling Recommendation on Disposal at End of Life

Dismantling

- Type: Without permanent damage

Recommendation on Disposal

- Plastic part: Reuse and Recycling
- Electrical part: Incineration and disposal
- Metal part: Recycling

Light source dismantling process

