

Project		Catalog #		Type	
Prepared by		Notes		Date	



Metalux

APSHP

4' LED Utility Shoplight

Typical Applications

Work Benches • Counters • Work Shops • Studios • Storage Areas • General Task Lighting

Interactive Menu

- Order Information [page 2](#)
- Photometric Data [page 2](#)
- Product Warranty

Product Certification



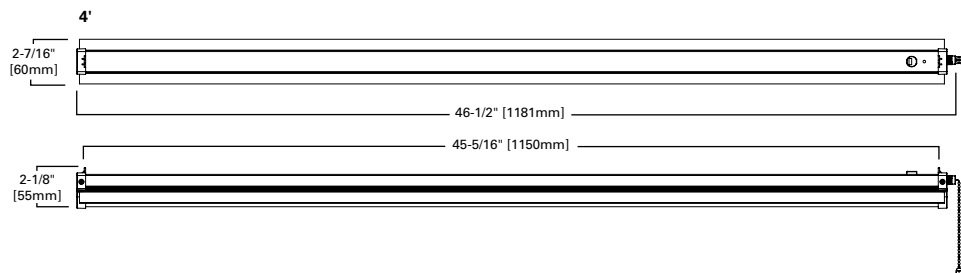
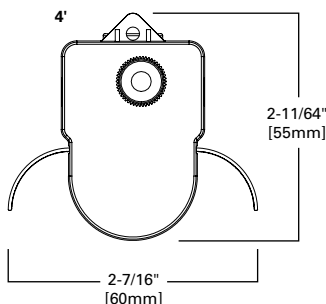
Product Features



Top Product Features

- 110 lm/W efficacy and up to 4000 lumen output
- Ideal for replacing two lamp fluorescent fixtures (64W equivalent)
- Integrated reflector design focuses light where you need it
- 5ft 120V grounded plug-in power cord
- Easy on/off convenience with included pull chain

Dimensional and Mounting Details



Order Information

Catalog	UPC	CCT (K)	CRI (Min)	Delivered lumens	Watts (W)	Efficacy (lm/W)	Controls	Input current (A)	
								120V	277V
4APSHP4040R	080083834594	4000	80	4310	39	110	Non-Dimming	0.31	

Product Specifications

Construction

- Rigid, light weight extruded housing
- Molded white endcaps joins LED and driver into single assembly
- Extruded lens and reflector optic
- Anodized housing exterior and white reflector finish

Electrical

- 120V, FCC rated Class B, non-dimming driver
- 5ft grounded cord & plug included
- On-off pull chain for easy operation
- L70 at 50,000 rated life-hours (TM-21), or greater than 43 years at 3 hrs/day
- LEDs are 4000K CCT and 80 CRI minimum

Shielding

- UV-stabilized lens
- Integrated reflector design focuses light where you need it
- See acrylic cleaning and limitations on use

Installation

- Suspension mount using included 10 inch chain and S-hook
- Plug and play installation using 5ft cord & plug

Compliance

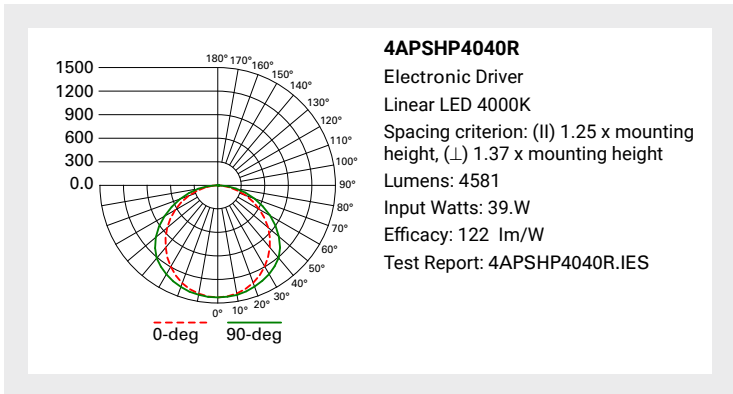
- UL/cUL listed for dry location
- Low-start temperature rated at 0F (-20C)
- RoHS compliant
- LED complies with IESNA LM-79 and LM-80

Limited Warranty

- Five year limited warranty.

Photometric Data

[View IES files](#)



Features and Benefits



Save Money



Save Time



Peace of Mind

	Feature	Benefit	Result
Performance	Uniform illumination and over 4000 lumens	More light and a brighter, safer work space	✓
	L70 at 50,000 rated life hours	Quality, peace of mind and >20 years of life	⌚
	5-year limited warranty	Guaranteed quality; trusted brand name	✓
Construction	Long life LED source	No costly lamp replacements	💰
	5 foot cord & plug with on/off pull chain	Easy to transport from project to project	⌚
	Extruded aluminum housing	Lightweight, durable and easy to move	✓

Load Data

	4'
PF	.99
THD%	<10
Weight	1.8
Low Temp. Start	-20°C

Shipping Data

Catalog Base	Wt.	Units per Pallet	Gross wt. Pallet
4APSHP	2.6	144	513