



by Signify

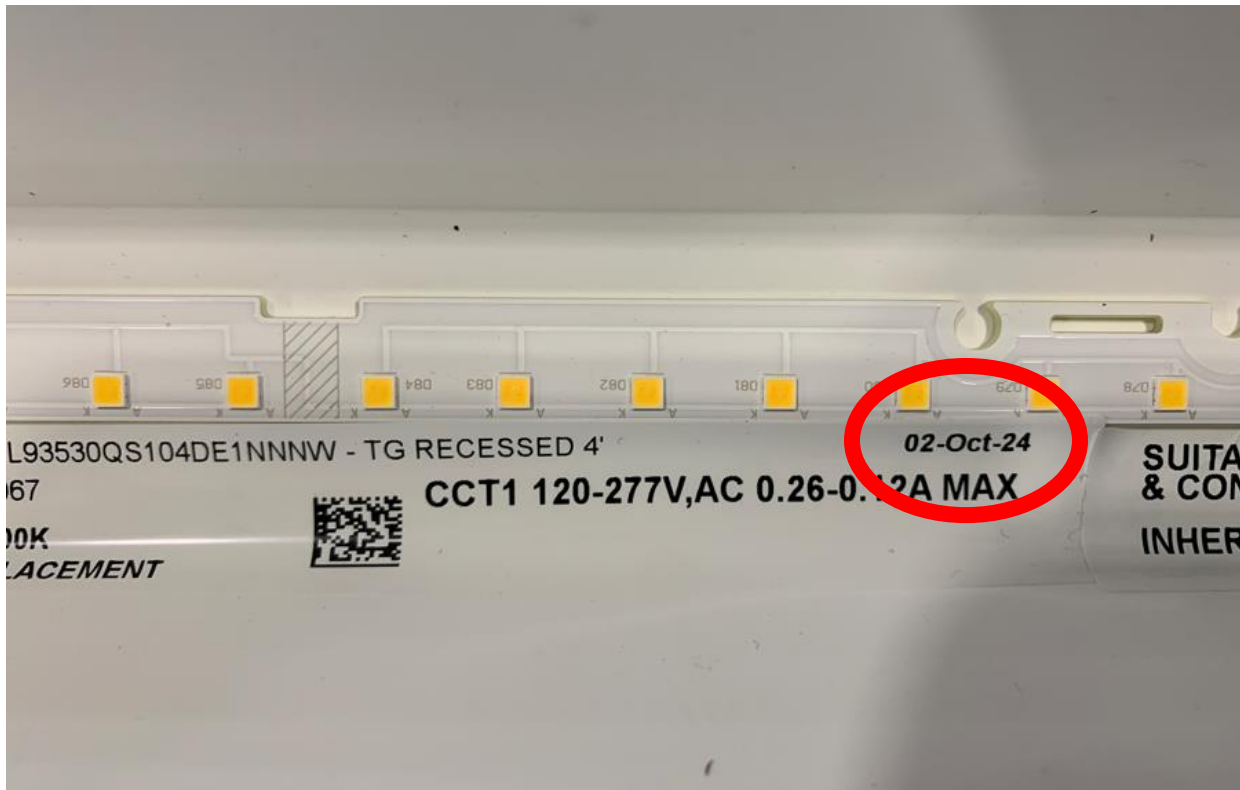
Linear

TruGroove

ID-39 Drywall Corners



Identify the fixture's manufacturing date based on the sticker on the reflector pan as shown below:



If manufacturing date is after 14-Oct-24, use Section 1 (page 2) of this document. For older fixtures, refer to Section 2 (page 11) of this document.



by  Signify

Linear

TruGroove

ID-39 Drywall Corners



Section 1



by Signify

Linear

TruGroove

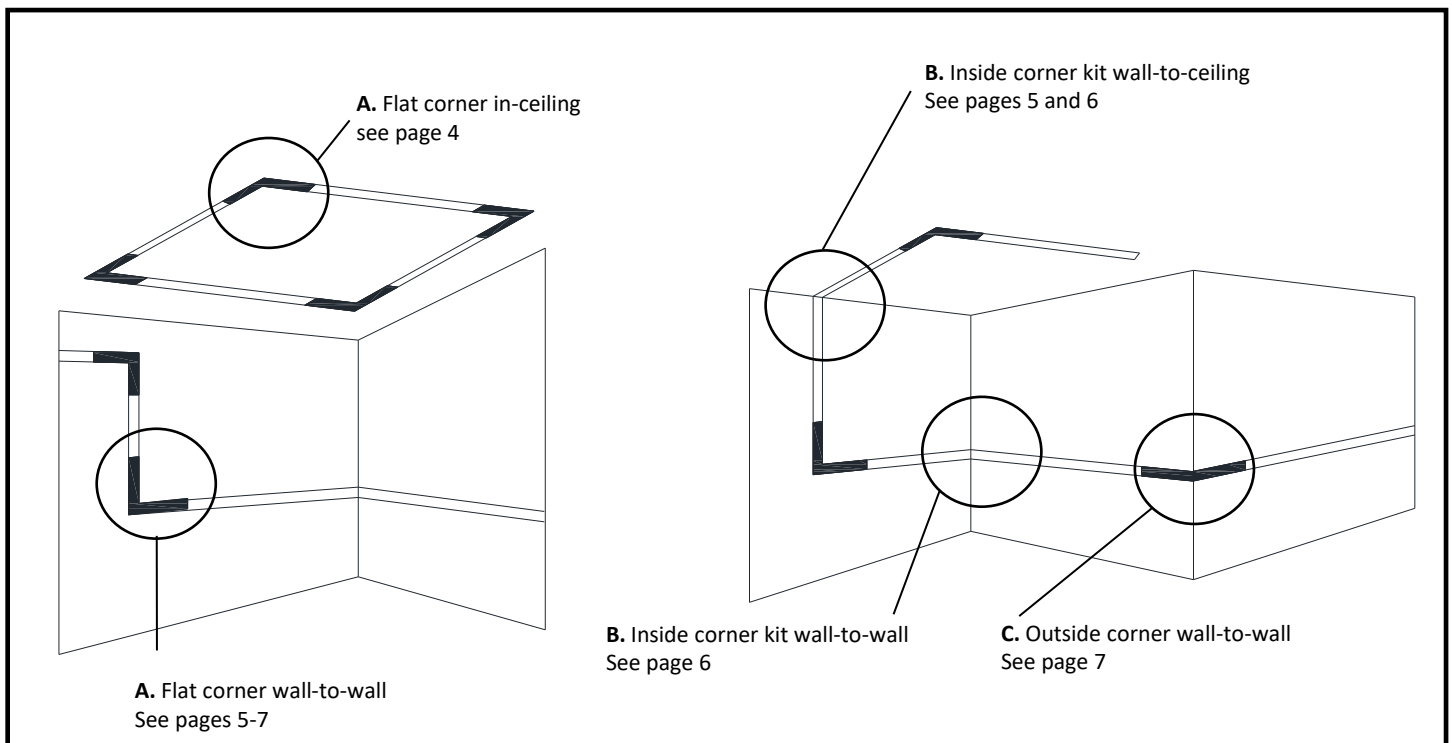
ID-39 Drywall Corners

SYSTEM OVERVIEW



These instructions review how to install drywall versions of TruGroove recessed corners. Please refer to layout drawings supplied by Ledalite with these installation instructions. These instructions must be used in conjunction with TruGroove Drywall Ceiling Standalone and Continuous Run Installation Instructions. The graphics below show the corner types available, and steps required to correctly install TruGroove corners in drywall ceilings or walls. These instructions apply to trim and trimless TruGroove product configurations.

IMPORTANT: Read all instructions including fixture wiring AND mechanical details before beginning installation.



Corner Type Detail

- A. Flat Corner:** In-Ceiling Option available in trim and trimless configurations. Wall-to-wall option available in trimless configuration only.
- B. Inside corner:** for wall-to-ceiling and wall-to-wall installation, available in trimless configuration only.
- C. Outside corner:** for wall-to-wall installation, available in trimless configuration only.

IMPORTANT INSTALLATION STEPS (TRIMLESS VERSION):

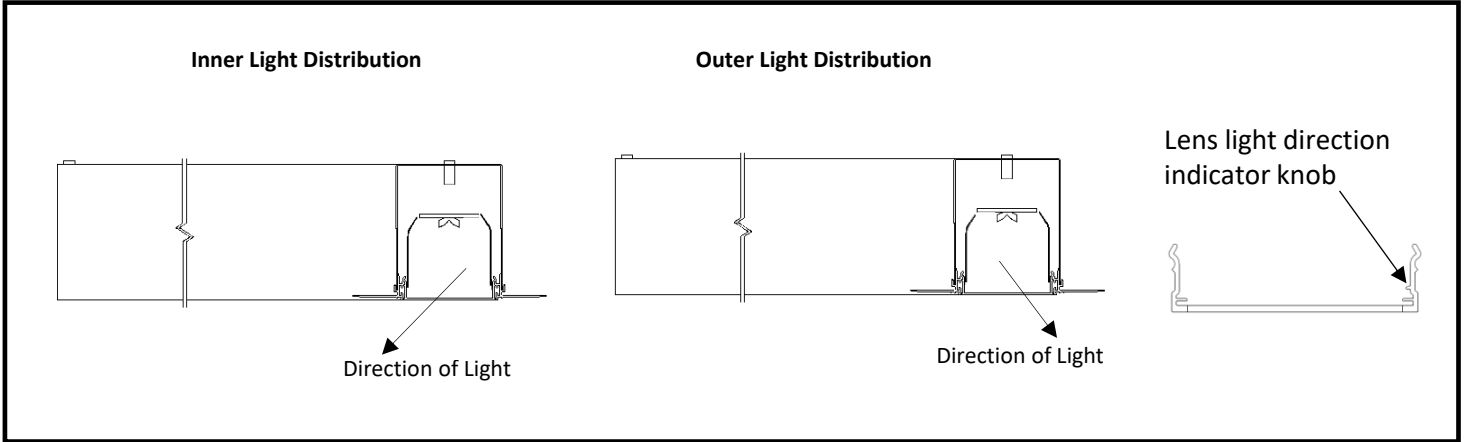
1. Install required mounting brackets (if applicable).
2. Install framing/blocking as per supplied layout drawings and instructions.
3. Install drywall.
4. Install all lighting fixtures.
5. Install corner bead(s) and tape.
6. Mud, sand and finish wall(s) and ceiling(s).

! **ATTENTION: Install in accordance with local and national building and electric codes.**

Fixture Type Information:

TruGroove corners have 2 light distribution options. Follow the drawings below and refer to layout drawings for proper identification of specific fixture orientation and location.

IMPORTANT: Identify each fixture type and location before installing any fixtures in ceiling or walls.

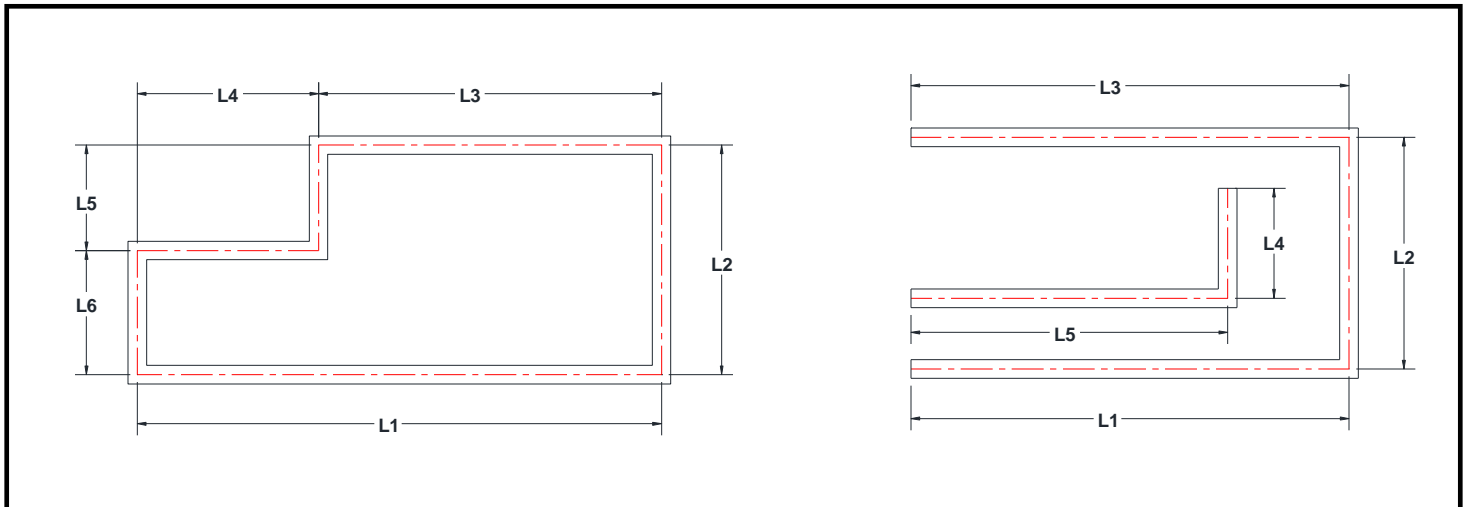


* Trimless corner housing shown

Ceiling Cutout Information:

Continuous run ceiling and wall cutout dimensions shown below come from supplied layout drawings.

IMPORTANT: Layout drawings for all patterns show dimensions to corner centers. Framing, ceiling and wall preparation must be done according to provided layout drawing pattern leg dimensions and detailed instructions on pages 3 and 4. For corner installation in wall, refer to instructions on pages 6, 7 and 8.



! **ATTENTION: Install in accordance with local and national building and electric codes.**

This equipment has been tested and found to comply with the limits for a Class A digital device, pursuant to part 15 of the FCC Rules. These limits are designed to provide reasonable protection against harmful interference when the equipment is operated in a commercial environment. This equipment generates, uses, and can radiate radio frequency energy and, if not installed and used in accordance with the instruction manual, may cause harmful interference to radio communications. Operation of this equipment in a residential area is likely to cause harmful interference in which case the user will be required to correct the interference at his own expense.

Warning! Shock Hazard!

IMPORTANT:
Disconnect or turn off power before attempting any installation, service or maintenance.

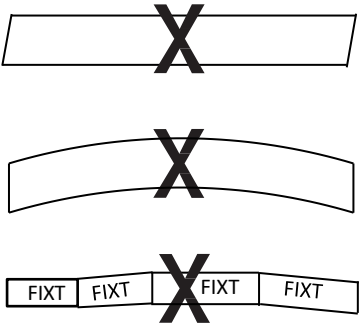


Warning! Shock Hazard!

Fixture must be connected to building ground via the provided ground wire before re-connecting to mains power supply.



! Avoid



FIXT = FIXTURE MODULE

i Installation Notes


'C' Channels (or equivalent) must be properly braced to ensure accuracy of cut-out in drywall.

Use appropriate tools to outline specified dimensions of ceiling cut-out to ensure straightness of cutting.

Lens will not insert properly if fixture trim has mud or paint build-up.

1 Cut-out Details

Build ceiling/ wall frame around fixture cutout to 3-7/8" to 4" width.

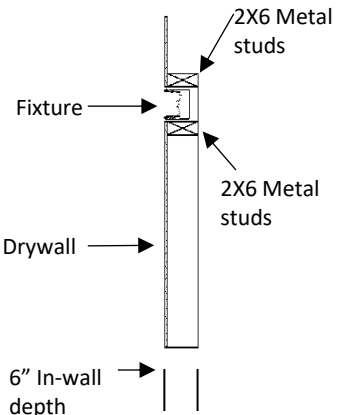


Cutout Width: **MIN 3-7/8"**
MAX 4"

Important: The cut-out MUST fall within the specified tolerances.

The straightness and accuracy of the cut-out in the drywall is crucial in ensuring proper fit for the fixture

2 Wall Framing



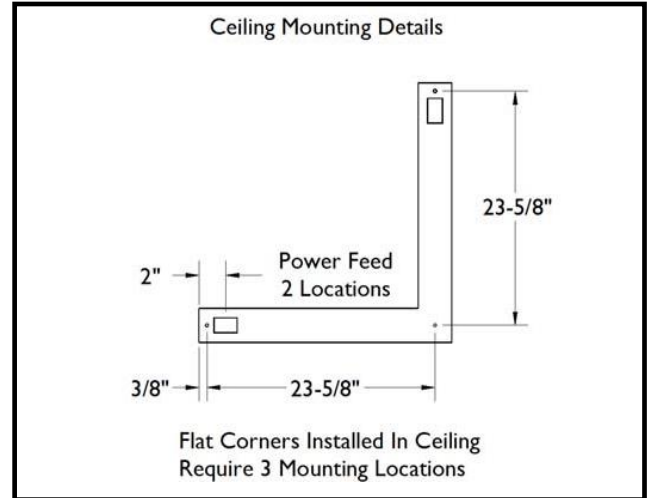
Wall construction requires the use of 2X6 metal studs (or equivalent) and a minimum in-wall depth of 6".

! ATTENTION: Install in accordance with local and national building and electric codes.

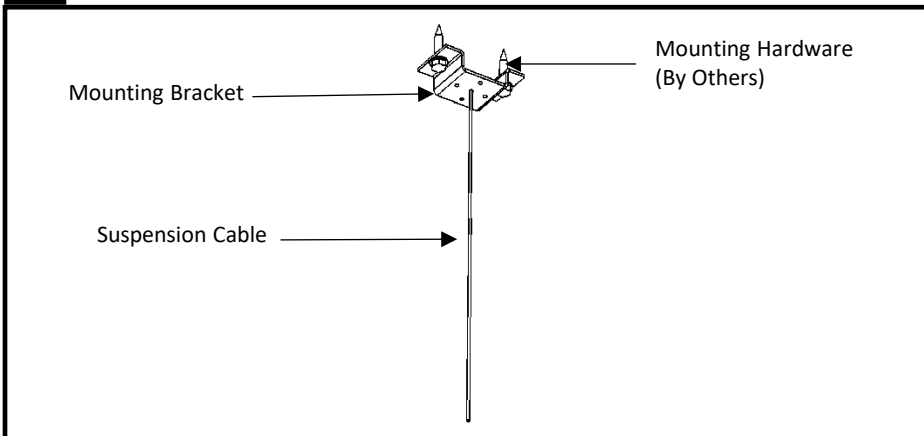
Corner type 'A': Flat Corner In-Ceiling

For continuous run fixtures, the cut-out in the drywall ceiling should be measured and cut as shown on page 3 and 4. Refer to drywall ceiling standalone and continuous run install instructions for fixture mounting location details.

Determine corner location and refer to figure A for specific in-ceiling corner mounting dimensions.

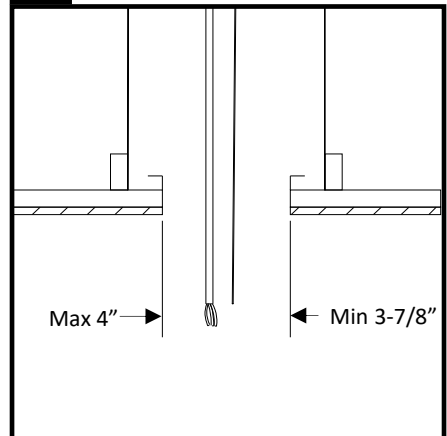


1 Install Mount and Power Cables



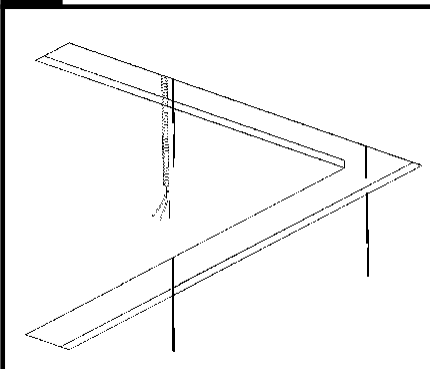
Install mounting brackets, suspension cables and power cables at required locations. Use one bracket and one suspension cable at end condition. Use one bracket and two suspension cables at a joint condition. Mounting bracket must be centered above fixture joint. NOTE: Mounting hardware by others.

2 Install Framing & Drywall



Install 'C' channel along full fixture perimeter to cutout specified drywall and cut opening to dimensions shown. **IMPORTANT:** See detail on page 3 for proper fixture and corner fit.

3 Finish Ceiling Preparation



After drywall is installed, check that fixture opening is straight and that it meets required dimensions of minimum 3-7/8" to maximum 4"

i Installation Notes

4. Prepare Fixtures/References Layout Drawings

Arranged box fixtures on floor in specified mounting locations, based on supplied layout drawings. Match up each fixtures based on the spec. tag and ID number labeled on each box for the specified run.

5. Install Corners and Fixtures

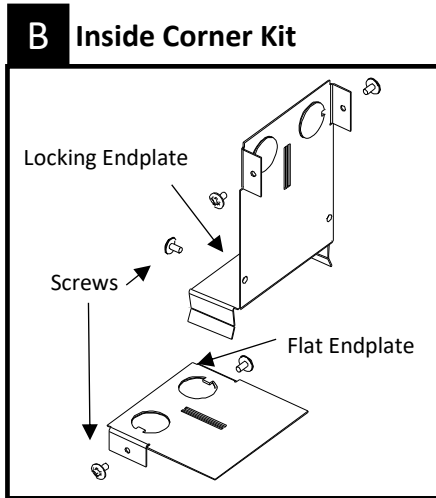
Follow TruGroove Drywall Ceiling Standalone and Continuous Run Installation Instructions.

Installation Tip: Begin installation by suspending corners unit first and work outwards to complete a continuous run.

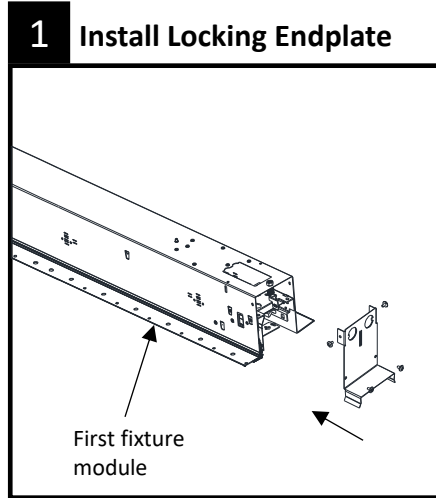
! ATTENTION: Install in accordance with local and national building and electric codes.

Corner Type 'B': Inside Corner Wall-to-Ceiling or Wall-to-Wall

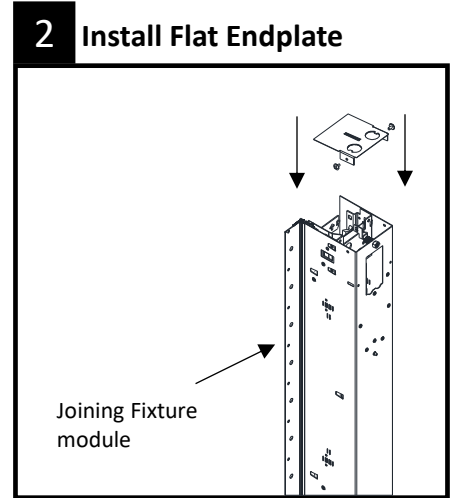
Inside corner installation in wall-to-ceiling and wall-to-wall configurations require the use and installation of inside corner kit components shown in figure B below.



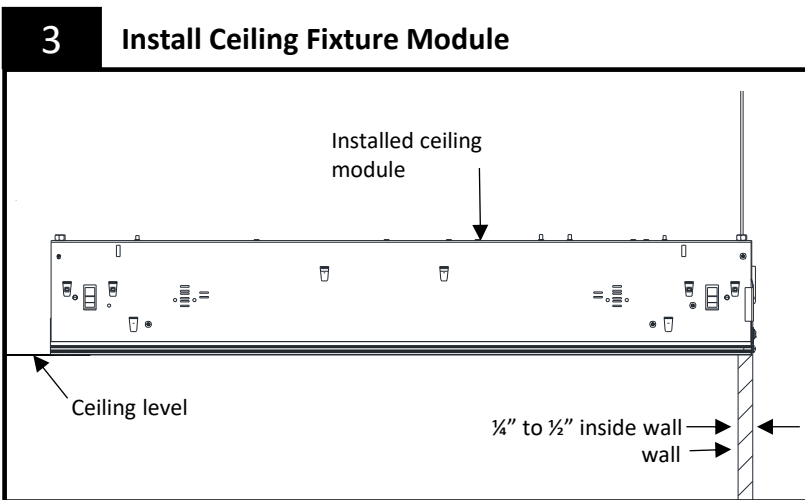
Inside corner kit parts: locking endplate, flat endplate, 6 screws.



Install locking endplate with supplied hardware to fixture module to be installed in ceiling. If power connection is not required at this end, cap wires and access plate prior to endplate installation.



Install flat endplate with supplied hardware to fixture module to be installed in wall. If power connection is not required at this location, cap wires and access plate prior to endplate installation



Fixture installation must begin at one end, at ceiling level.

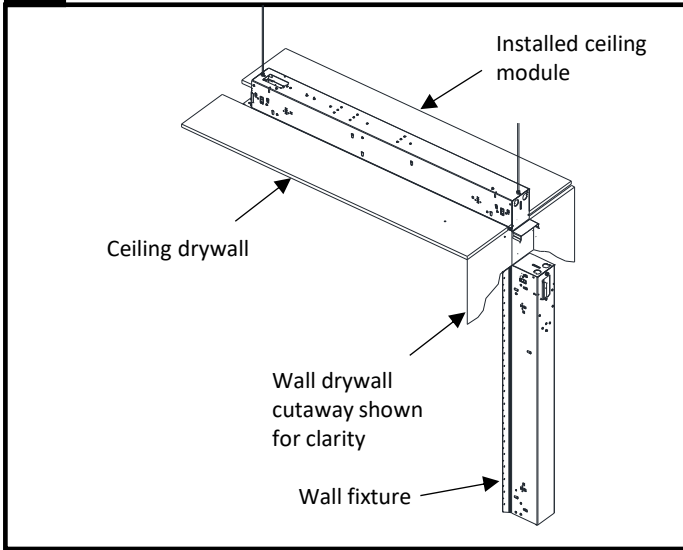
IMPORTANT: For a proper fit, all end ceiling fixtures must be recessed inside wall by $\frac{1}{4}$ " to $\frac{1}{2}$ ". Determine all ceiling mounting and power feed locations from supplied layout drawings.

NOTE: Inside corner modules are designed for separate power feeds, not through wiring. Install ceiling fixtures as per attached TruGroove Drywall Ceiling Standalone and Continuous Run Installation Instructions.

IMPORTANT: Ceiling fixtures must be installed and secured tightly against ceiling drywall.

! **ATTENTION: Install in accordance with local and national building and electric codes.**

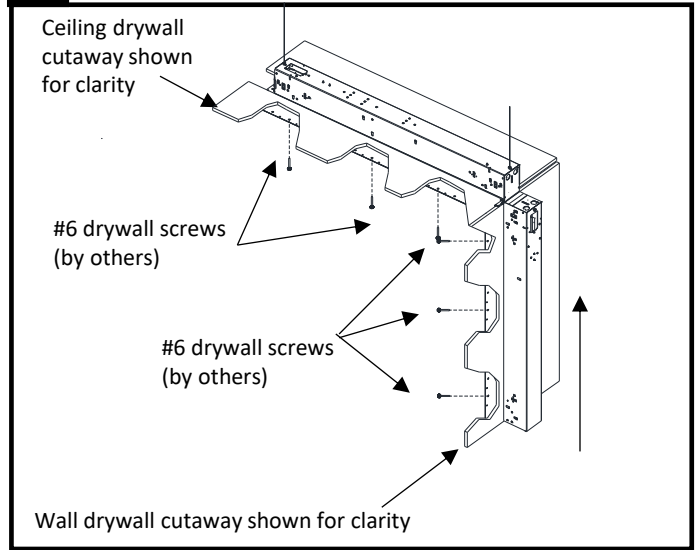
4 Install Ceiling Fixture Modules



After all ceiling fixture have been fully installed, secure to drywall using #6 drywall screws (by others). **IMPORTANT:** Attach screws through large holes in aluminum trim every 9 inches on both sides of fixture housing.

IMPORTANT: For installation of in-wall continuous run, determine power feed locations and completed required electrical connection as shown in the supplied TruGroove drywall ceiling standalone and continuous run installation instructions. For joining and attachment of additional fixtures, follow step 2 and step 3 on page 7.

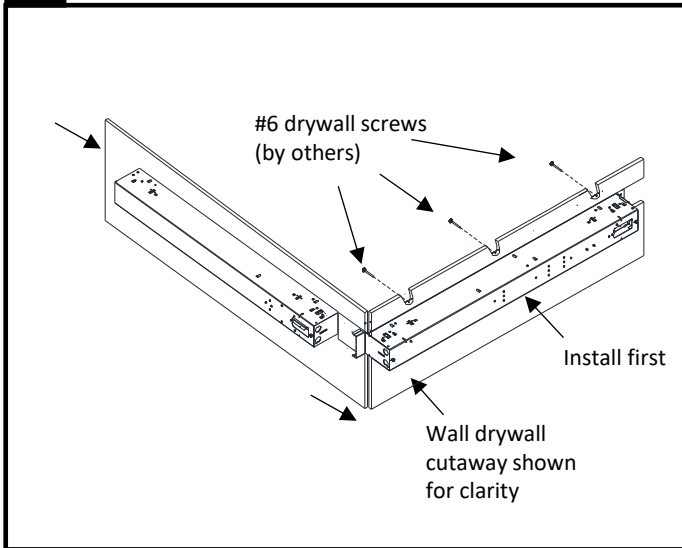
5 Install Wall Fixture Modules



Raise first wall fixture to ceiling and engage housing body inside locking endplate in ceiling fixture. Push vertical fixture and secure to drywall with #6 drywall screws (by others) **IMPORTANT:** Attach screws through large holes in aluminum trim every 9 inches on both sides of fixture housing.

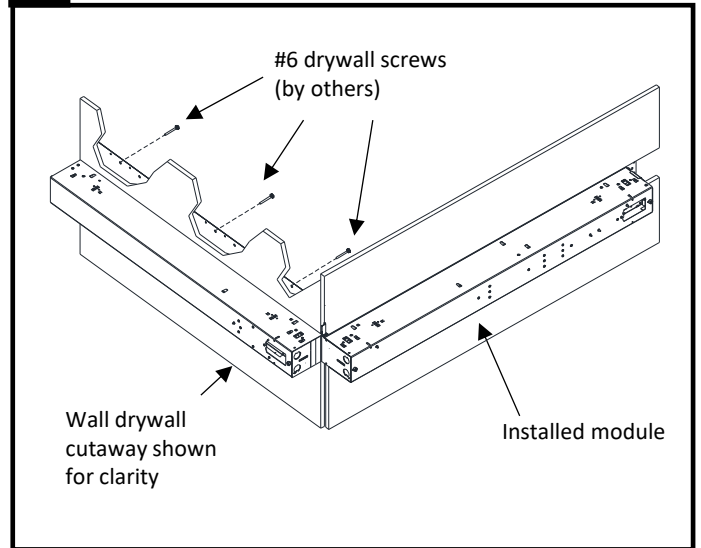
NOTE: No ceiling mounting brackets or suspension cables are required for in-wall installation

4a Install First Wall Fixture Module (If applicable)



Inside corner kit for wall-to-wall configuration requires the installation of the locking endplate fixture as a first step. Insert fixture inside wall making sure a 1/4" to 1/2" overlap exists inside wall. If fixture needs to be joined to other fixture, follow steps 2 and 3 on page 7. Level fixture and secure to drywall using #6 drywall screws (by others). **IMPORTANT:** Attach screws through large holes in aluminum trim every 9 inches on both sides of fixture housing.

5a Install Second Wall Fixture Module (If applicable)

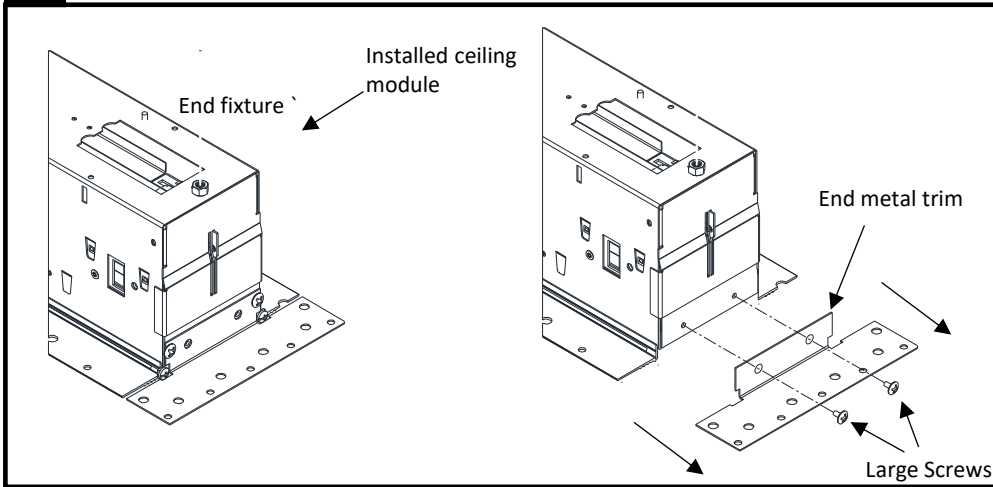


Insert joining module inside wall and slide towards installed module. Push joining fixture against installed fixture and secure to drywall with #6 drywall screws (by others). **IMPORTANT:** Attach screws through large holes in aluminum trim every 9 inches on both sides of fixture housing.

For joining and attachment of additional fixtures, follow steps 2 and 3 on page 7.

! **ATTENTION: Install in accordance with local and national building and electric codes.**

6 Install End Fixture Module At Wall End (If Applicable)

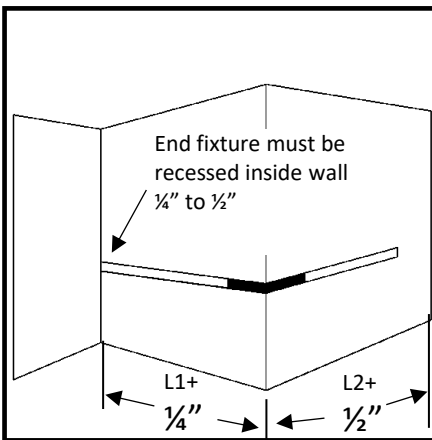


Installation of an end fixture at a wall end does not require the use of an inside corner kit. Prior to installation of this fixture module, remove factory installed metal end trim and 2 large head screws and shown in step 6.

Install end fixture module as shown on page 8.

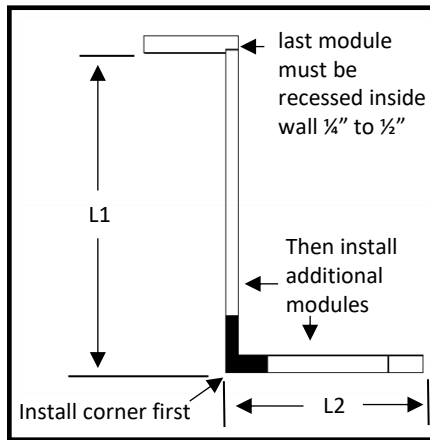
Corner Type 'C': Outside Corner

Wall Cutout Measurements



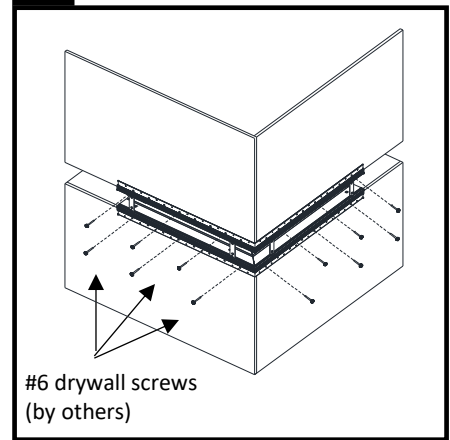
Wall cutout dimensions for outside corners are based on dimensions provided on layout drawings.

Installation Sequence



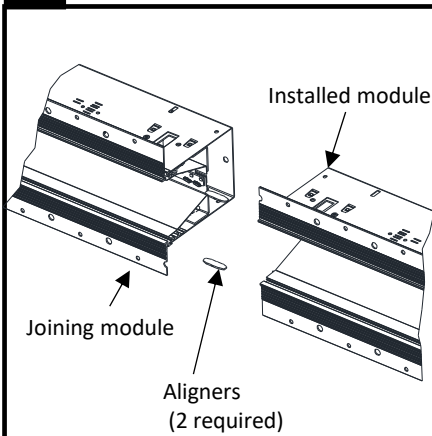
Begin installation at the outside corners and work towards the opposite wall.

1 Corner Installation



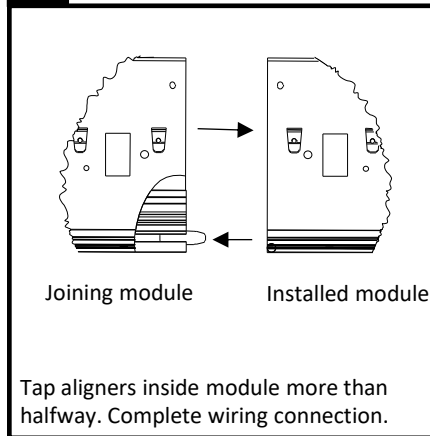
Position, level and secure outside corner housing to drywall with #6 drywall screws (by others) spaced 9" apart.

2 Aligner Installation



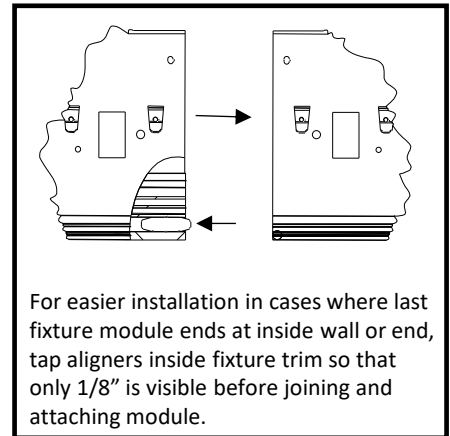
Insert aligners inside aluminum trim of module to be joined.

3 Joining/Attachment



Tap aligners inside module more than halfway. Complete wiring connection. Push fixture modules together and secure with drywall screws.

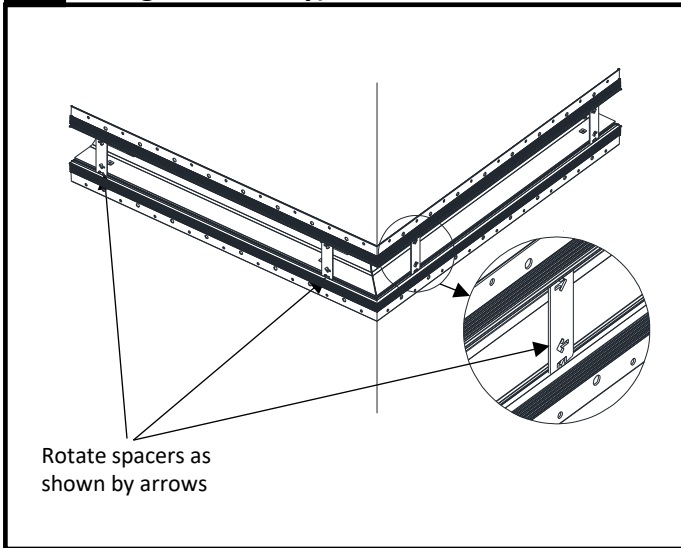
Installation Tip



For easier installation in cases where last fixture module ends at inside wall or end, tap aligners inside fixture trim so that only 1/8" is visible before joining and attaching module.

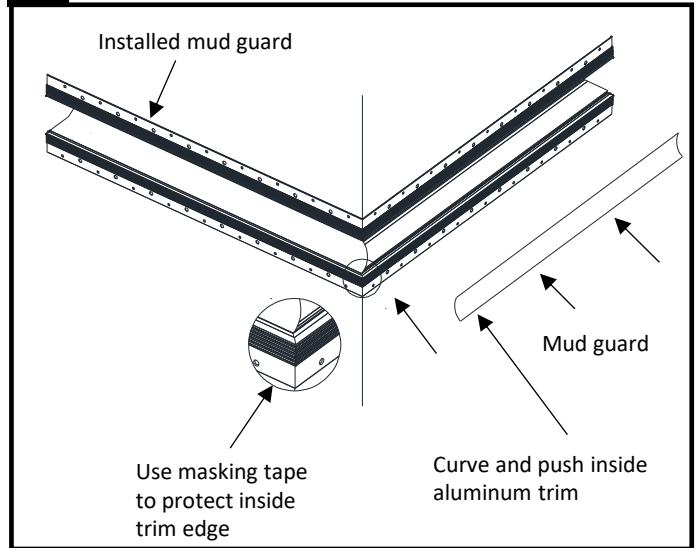
! ATTENTION: Install in accordance with local and national building and electric codes.

4 Remove Fixture Spacers (Trimless Configuration only)



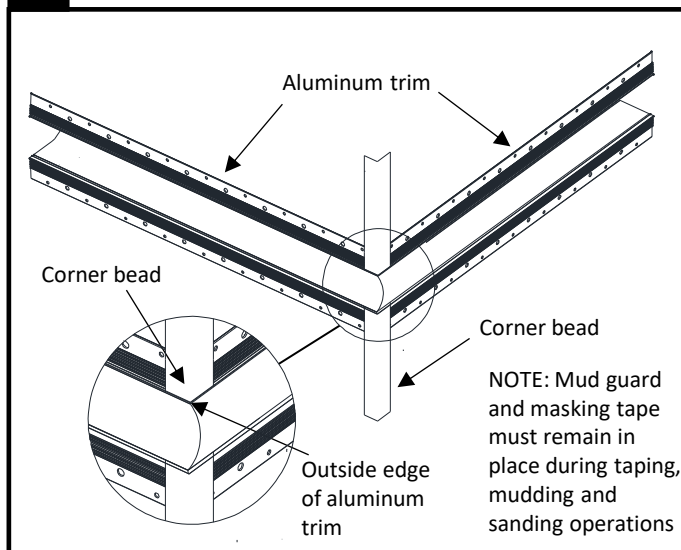
After securing fixture with drywall screws every 9 inches, remove internal spacers by rotating in direction shown by arrows.

5 Install Mud Guard/Protect Inside Edges



Install supplied mud guards inside each fixture. At corners, overlap and trim as needed to ensure tight seal. **IMPORTANT:** To prevent debris from entering fixture, apply masking tape to inside edges of fixture trim, on both sides and full length of fixture run.

6 Install Corner Bead/Drywall Tape



For best results at corners, apply corner bead over aluminum trim and to outside edge as shown. Complete taping, mudding, and sanding along fixture run length.

7. Remove Mud Guard/Masking Tape

Once ceiling and wall finishing is complete, remove all mud guards and masking tape.

8. Install Fixture Lenses

Install lenses as per supplied TruGroove drywall ceiling standalone and Continuous Run Installation Instructions.

NOTE: Due to construction tolerances, some lenses may need to be trimmed for final fit.

! ATTENTION: Install in accordance with local and national building and electric codes.





by  Signify

Linear

TruGroove

ID-39 Drywall Corners



Section 2



by Signify

Linear

TruGroove

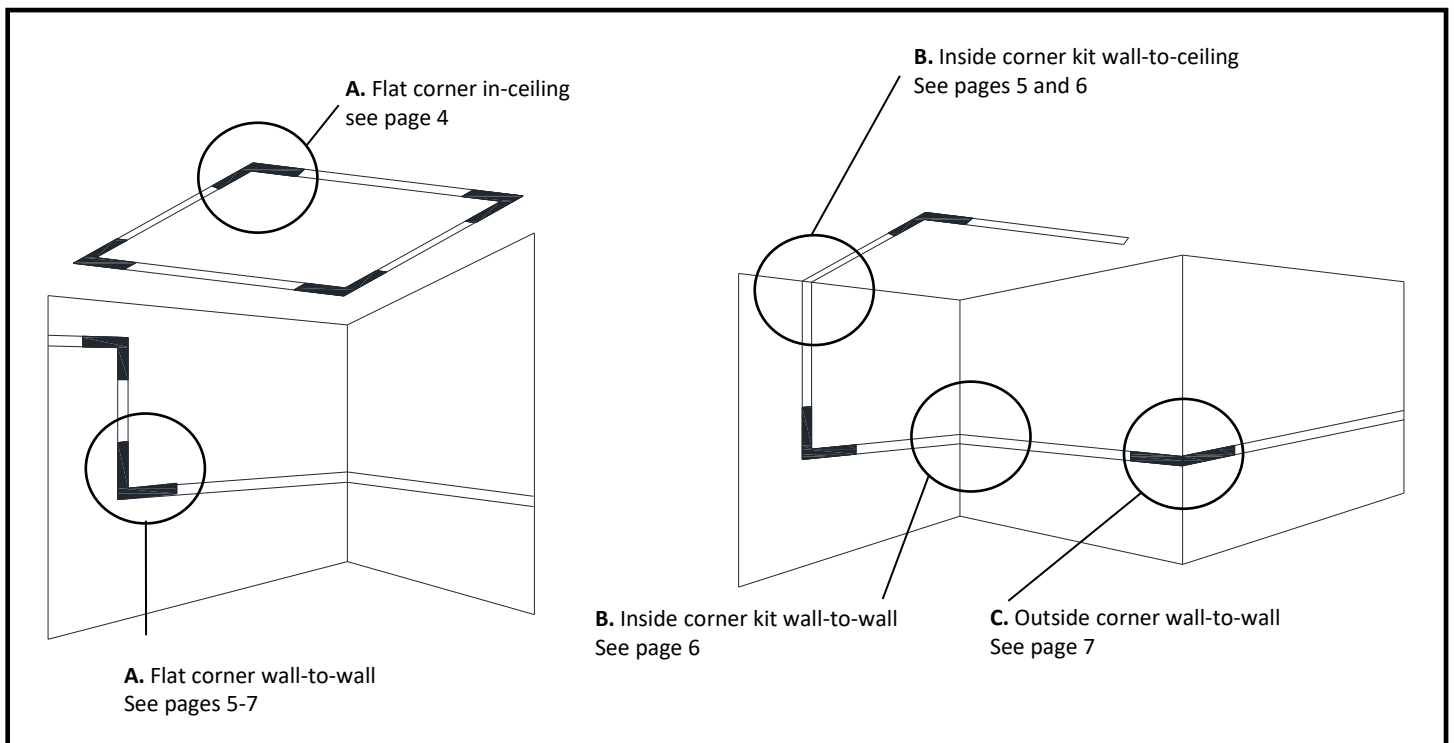
ID-39 Drywall Corners

SYSTEM OVERVIEW



These instructions review how to install drywall versions of TruGroove recessed corners. Please refer to layout drawings supplied by Ledalite with these installation instructions. These instructions must be used in conjunction with TruGroove Drywall Ceiling Standalone and Continuous Run Installation Instructions. The graphics below show the corner types available, and steps required to correctly install TruGroove corners in drywall ceilings or walls. These instructions apply to trim and trimless TruGroove product configurations.

IMPORTANT: Read all instructions including fixture wiring AND mechanical details before beginning installation.



Corner Type Detail

- A. Flat Corner:** In-Ceiling Option available in trim and trimless configurations. Wall-to-wall option available in trimless configuration only.
- B. Inside corner:** for wall-to-ceiling and wall-to-wall installation, available in trimless configuration only.
- C. Outside corner:** for wall-to-wall installation, available in trimless configuration only.

IMPORTANT INSTALLATION STEPS (TRIMLESS VERSION):

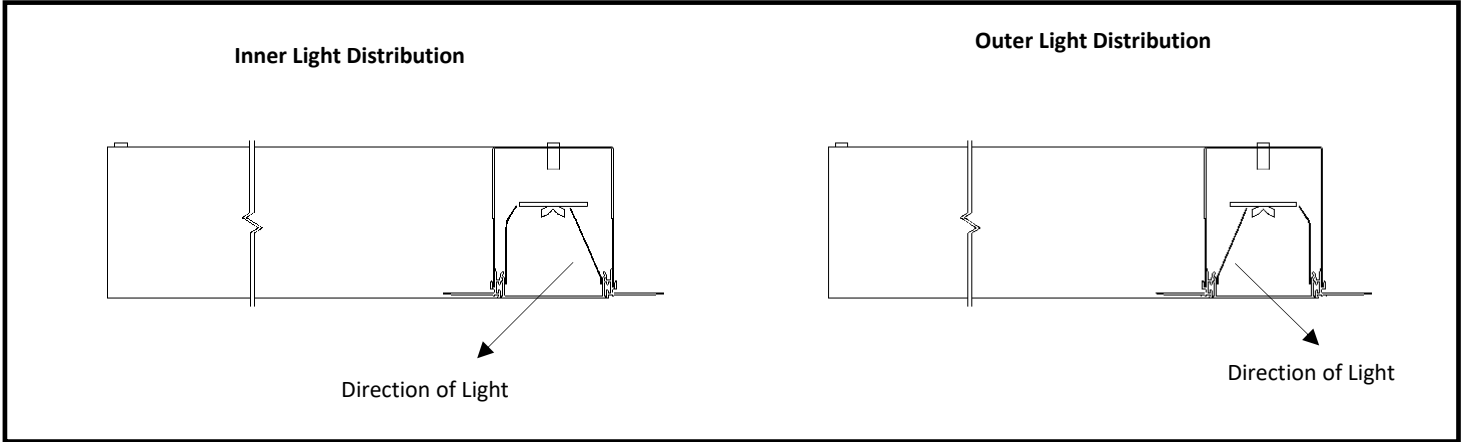
1. Install required mounting brackets (if applicable).
2. Install framing/blocking as per supplied layout drawings and instructions.
3. Install drywall.
4. Install all lighting fixtures.
5. Install corner bead(s) and tape.
6. Mud, sand and finish wall(s) and ceiling(s).

! **ATTENTION: Install in accordance with local and national building and electric codes.**

Fixture Type Information:

TruGroove corners have 2 light distribution options. Follow the drawings below and refer to layout drawings for proper identification of specific fixture orientation and location.

IMPORTANT: Identify each fixture type and location before installing any fixtures in ceiling or walls.

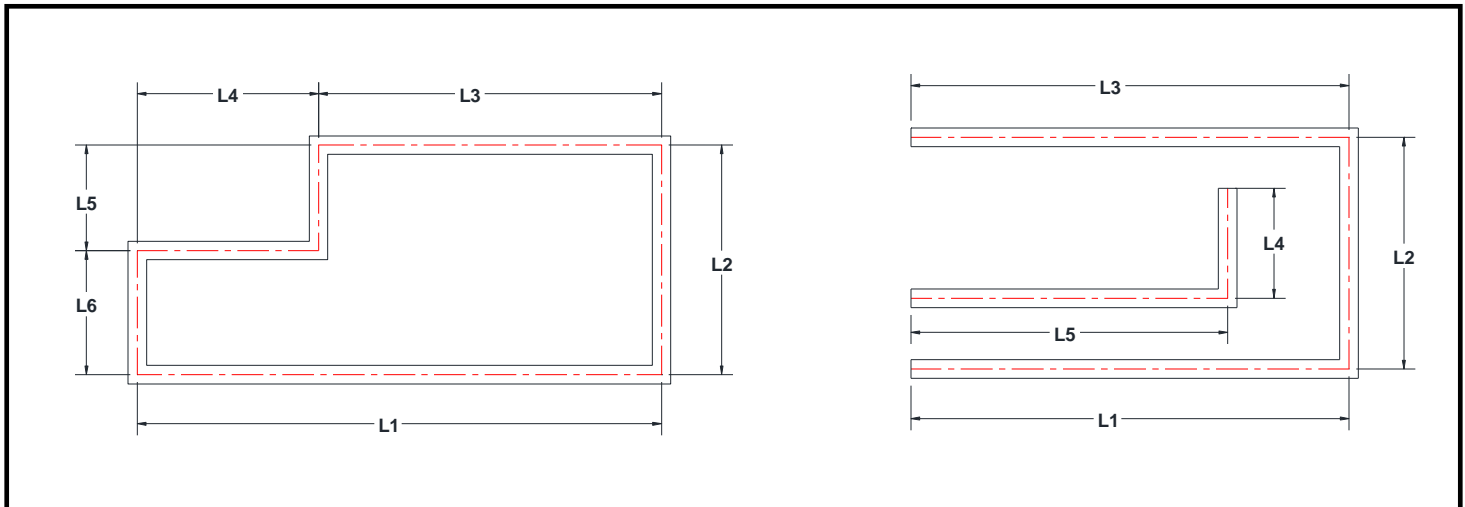


* Trimless corner housing shown

Ceiling Cutout Information:

Continuous run ceiling and wall cutout dimensions shown below come from supplied layout drawings.

IMPORTANT: Layout drawings for all patterns show dimensions to corner centers. Framing, ceiling and wall preparation must be done according to provided layout drawing pattern leg dimensions and detailed instructions on pages 3 and 4. For corner installation in wall, refer to instructions on pages 6, 7 and 8.



! **ATTENTION: Install in accordance with local and national building and electric codes.**

This equipment has been tested and found to comply with the limits for a Class A digital device, pursuant to part 15 of the FCC Rules. These limits are designed to provide reasonable protection against harmful interference when the equipment is operated in a commercial environment. This equipment generates, uses, and can radiate radio frequency energy and, if not installed and used in accordance with the instruction manual, may cause harmful interference to radio communications. Operation of this equipment in a residential area is likely to cause harmful interference in which case the user will be required to correct the interference at his own expense.


Warning! Shock Hazard!

IMPORTANT:
Disconnect or turn off power before attempting any installation, service or maintenance.

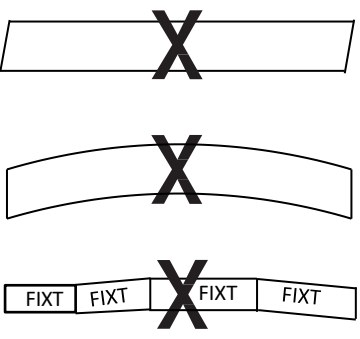


Warning! Shock Hazard!

Fixture must be connected to building ground via the provided ground wire before re-connecting to mains power supply.



! Avoid



FIXT = FIXTURE MODULE

i Installation Notes


'C' Channels (or equivalent) must be properly braced to ensure accuracy of cut-out in drywall.

Use appropriate tools to outline specified dimensions of ceiling cut-out to ensure straightness of cutting.

Lens will not insert properly if fixture trim has mud or paint build-up.

1 Cut-out Details

Build ceiling/ wall frame around fixture cutout to 3-7/8" to 4" width.

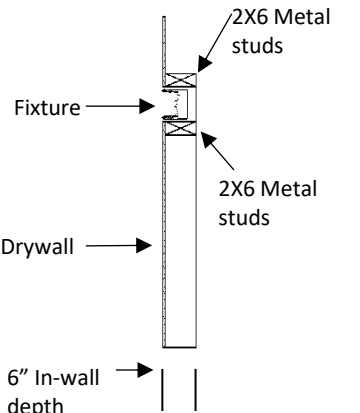


Cutout Width: **MIN 3-7/8"**
MAX 4"

Important: The cut-out MUST fall within the specified tolerances.

The straightness and accuracy of the cut-out in the drywall is crucial in ensuring proper fit for the fixture

2 Wall Framing



2X6 Metal studs
Fixture
Drywall
6" In-wall depth

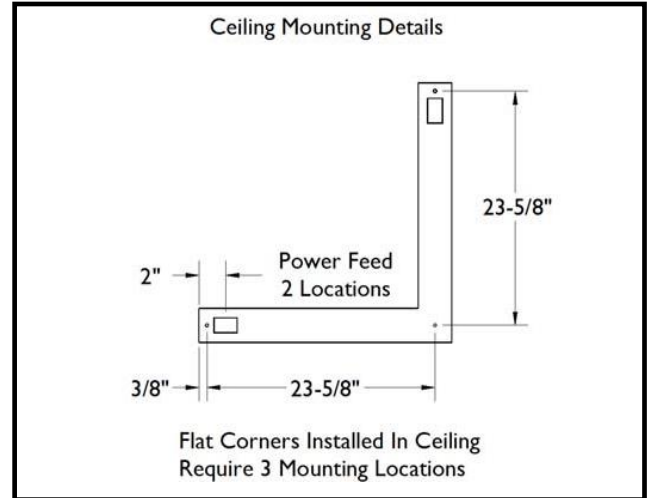
Wall construction requires the use of 2X6 metal studs (or equivalent) and a minimum in-wall depth of 6".

! ATTENTION: Install in accordance with local and national building and electric codes.

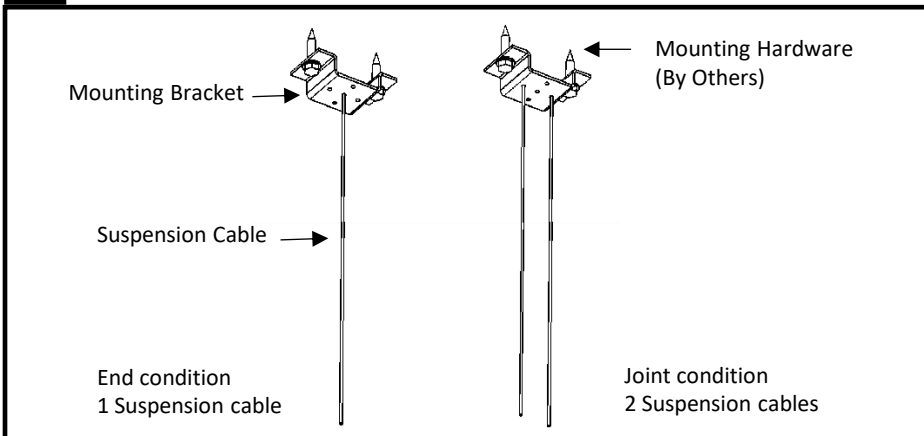
Corner type 'A': Flat Corner In-Ceiling

For continuous run fixtures, the cut-out in the drywall ceiling should be measured and cut as shown on page 3 and 4. Refer to drywall ceiling standalone and continuous run install instructions for fixture mounting location details.

Determine corner location and refer to figure A for specific in-ceiling corner mounting dimensions.

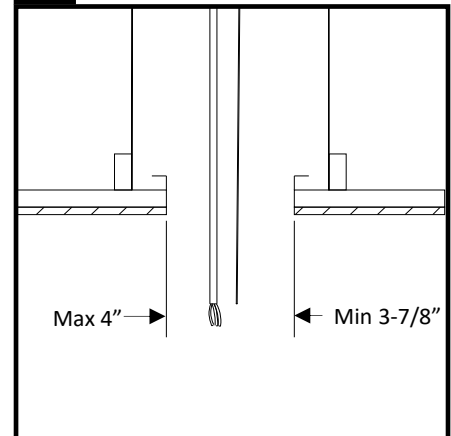


1 Install Mount and Power Cables



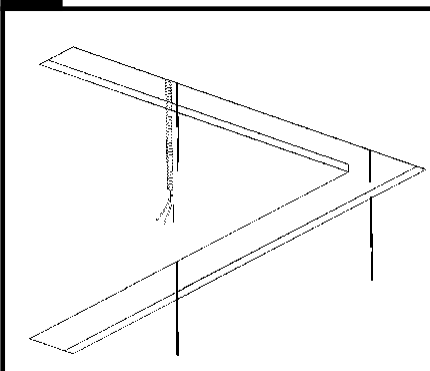
Install mounting brackets, suspension cables and power cables at required locations. Use one bracket and one suspension cable at end condition. Use one bracket and two suspension cables at a joint condition. Mounting bracket must be centered above fixture joint. NOTE: Mounting hardware by others.

2 Install Framing & Drywall



Install 'C' channel along full fixture perimeter to cutout specified drywall and cut opening to dimensions shown. **IMPORTANT:** See detail on page 3 for proper fixture and corner fit.

3 Finish Ceiling Preparation



After drywall is installed, check that fixture opening is straight and that it meets required dimensions of minimum 3-7/8" to maximum 4"

i Installation Notes

4. Prepare Fixtures/References Layout Drawings

Arranged box fixtures on floor in specified mounting locations, based on supplied layout drawings. Match up each fixtures based on the spec. tag and ID number labeled on each box for the specified run.

5. Install Corners and Fixtures

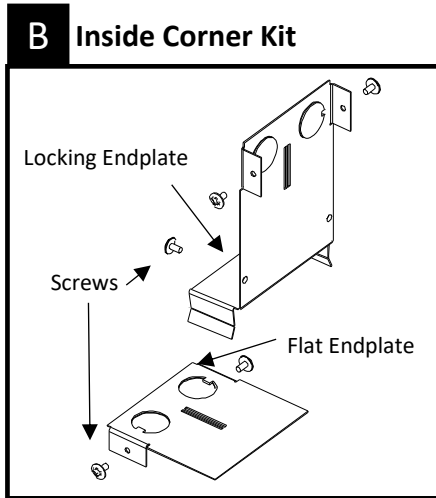
Follow TruGroove Drywall Ceiling Standalone and Continuous Run Installation Instructions.

Installation Tip: Begin installation by suspending corners unit first and work outwards to complete a continuous run.

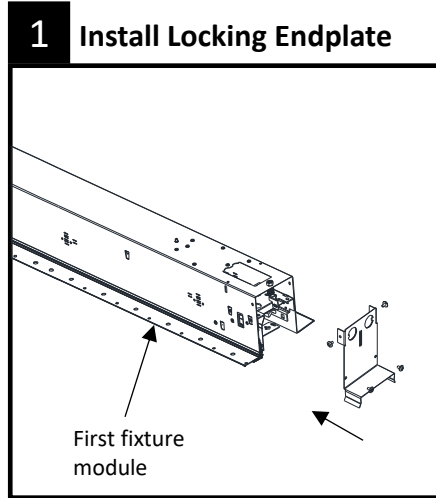
! ATTENTION: Install in accordance with local and national building and electric codes.

Corner Type 'B': Inside Corner Wall-to-Ceiling or Wall-to-Wall

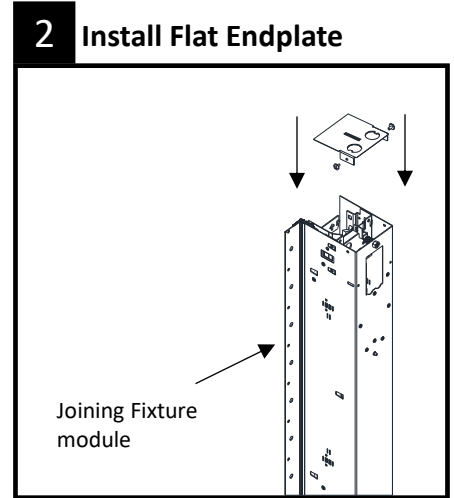
Inside corner installation in wall-to-ceiling and wall-to-wall configurations require the use and installation of inside corner kit components shown in figure B below.



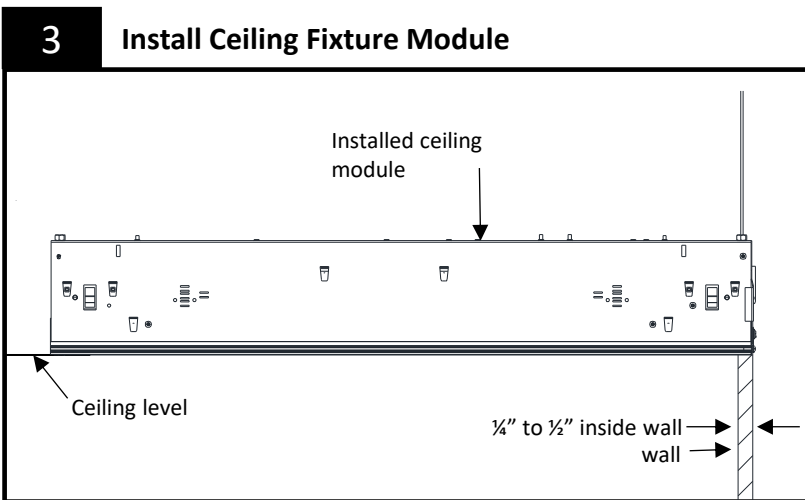
Inside corner kit parts: locking endplate, flat endplate, 6 screws.



Install locking endplate with supplied hardware to fixture module to be installed in ceiling. If power connection is not required at this end, cap wires and access plate prior to endplate installation.



Install flat endplate with supplied hardware to fixture module to be installed in wall. If power connection is not required at this location, cap wires and access plate prior to endplate installation



Fixture installation must begin at one end, at ceiling level.

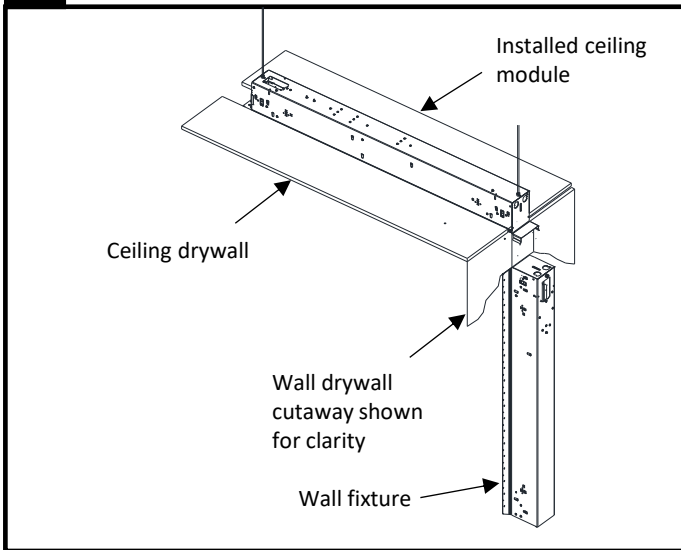
IMPORTANT: For a proper fit, all end ceiling fixtures must be recessed inside wall by $\frac{1}{4}$ " to $\frac{1}{2}$ ". Determine all ceiling mounting and power feed locations from supplied layout drawings.

NOTE: Inside corner modules are designed for separate power feeds, not through wiring. Install ceiling fixtures as per attached TruGroove Drywall Ceiling Standalone and Continuous Run Installation Instructions.

IMPORTANT: Ceiling fixtures must be installed and secured tightly against ceiling drywall.

! ATTENTION: Install in accordance with local and national building and electric codes.

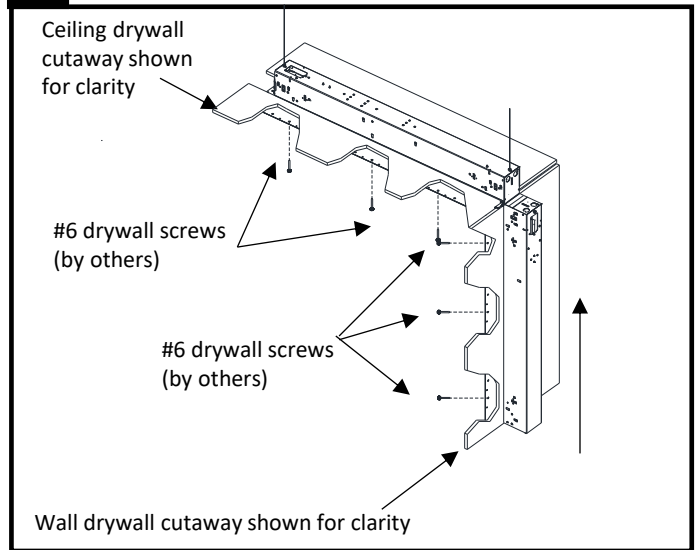
4 Install Ceiling Fixture Modules



After all ceiling fixture have been fully installed, secure to drywall using #6 drywall screws (by others). **IMPORTANT:** Attach screws through large holes in aluminum trim every 9 inches on both sides of fixture housing.

IMPORTANT: For installation of in-wall continuous run, determine power feed locations and completed required electrical connection as shown in the supplied TruGroove drywall ceiling standalone and continuous run installation instructions. For joining and attachment of additional fixtures, follow step 2 and step 3 on page 7.

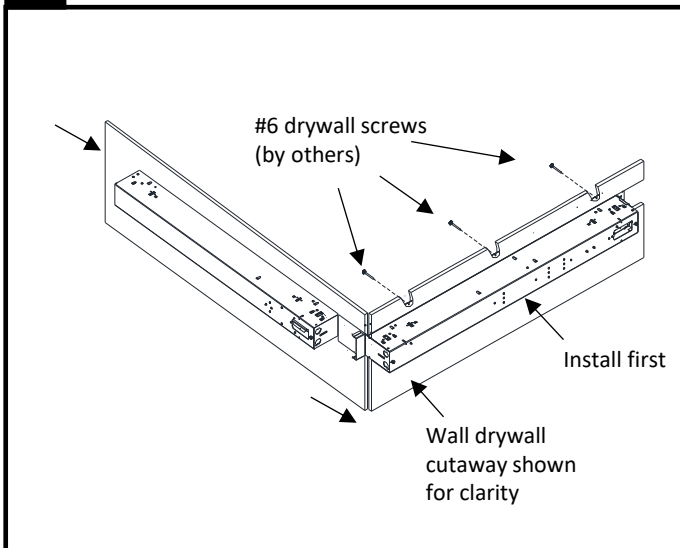
5 Install Wall Fixture Modules



Raise first wall fixture to ceiling and engage housing body inside locking endplate in ceiling fixture. Push vertical fixture and secure to drywall with #6 drywall screws (by others) **IMPORTANT:** Attach screws through large holes in aluminum trim every 9 inches on both sides of fixture housing.

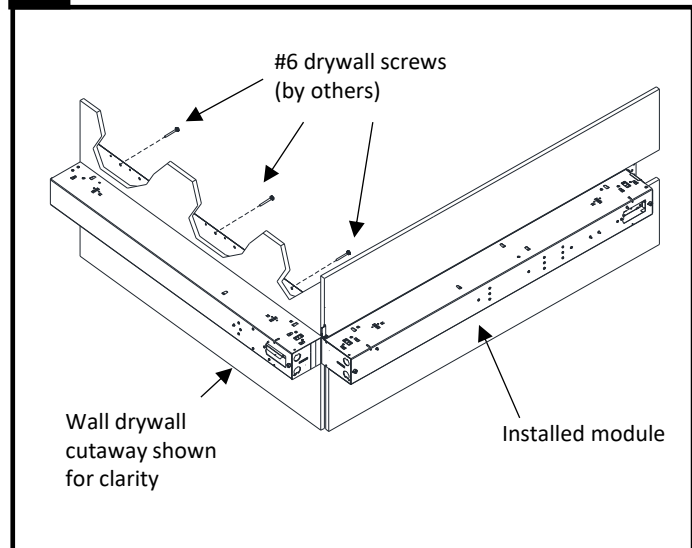
NOTE: No ceiling mounting brackets or suspension cables are required for in-wall installation

4a Install First Wall Fixture Module (If applicable)



Inside corner kit for wall-to-wall configuration requires the installation of the locking endplate fixture as a first step. Insert fixture inside wall making sure a 1/4" to 1/2" overlap exists inside wall. If fixture needs to be joined to other fixture, follow steps 2 and 3 on page 7. Level fixture and secure to drywall using #6 drywall screws (by others). **IMPORTANT:** Attach screws through large holes in aluminum trim every 9 inches on both sides of fixture housing.

5a Install Second Wall Fixture Module (If applicable)

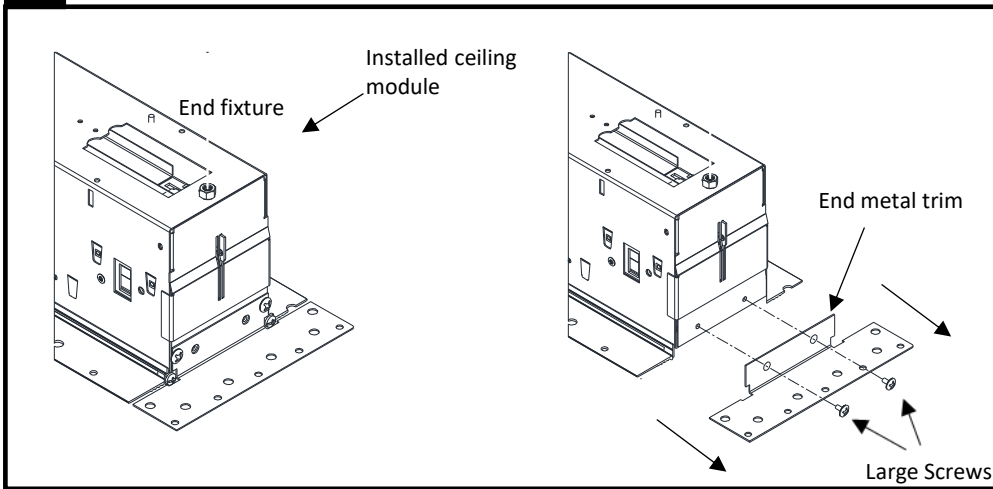


Insert joining module inside wall and slide towards installed module. Push joining fixture against installed fixture and secure to drywall with #6 drywall screws (by others). **IMPORTANT:** Attach screws through large holes in aluminum trim every 9 inches on both sides of fixture housing.

For joining and attachment of additional fixtures, follow steps 2 and 3 on page 7.

! ATTENTION: Install in accordance with local and national building and electric codes.

6 Install End Fixture Module At Wall End (If Applicable)

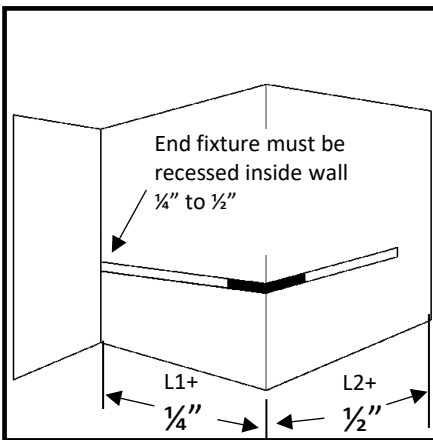


Installation of an end fixture at a wall end does not require the use of an inside corner kit. Prior to installation of this fixture module, remove factory installed metal end trim and 2 large head screws and shown in step 6.

Install end fixture module as shown on page 8.

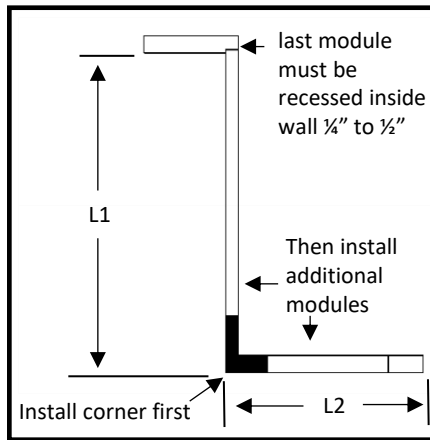
Corner Type 'C': Outside Corner

Wall Cutout Measurements



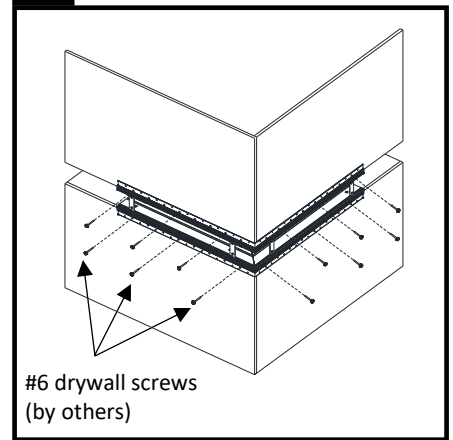
Wall cutout dimensions for outside corners are based on dimensions provided on layout drawings.

Installation Sequence



Begin installation at the outside corners and work towards the opposite wall.

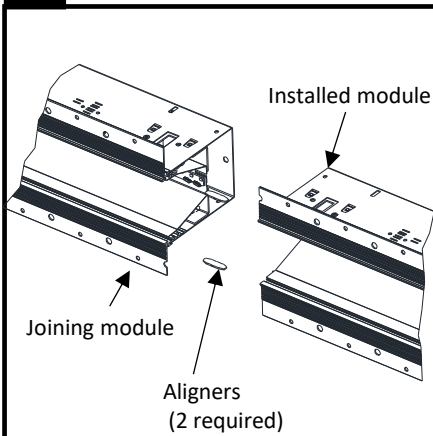
1 Corner Installation



#6 drywall screws (by others)

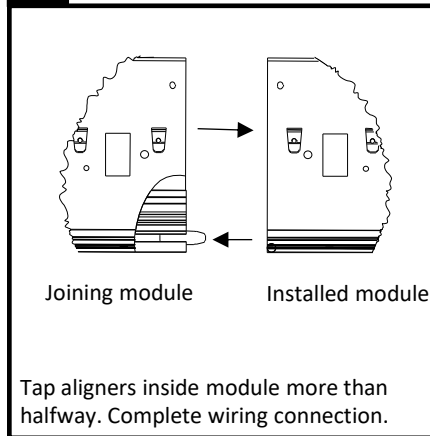
Position, level and secure outside corner housing to drywall with #6 drywall screws (by others) spaced 9" apart.

2 Aligner Installation



Insert aligners inside aluminum trim of module to be joined.

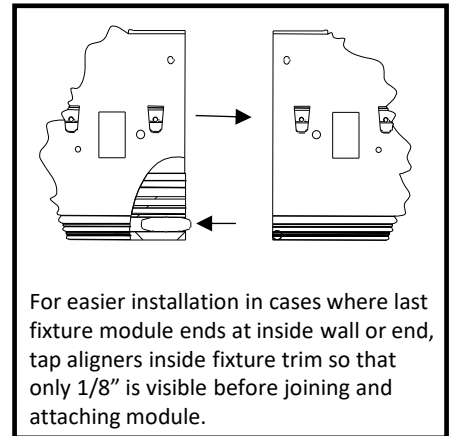
3 Joining/Attachment



Tap aligners inside module more than halfway. Complete wiring connection.

Push fixture modules together and secure with drywall screws.

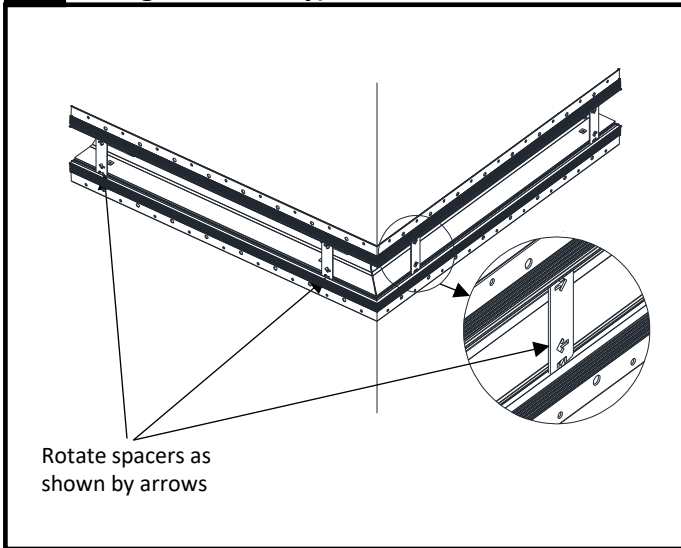
Installation Tip



For easier installation in cases where last fixture module ends at inside wall or end, tap aligners inside fixture trim so that only 1/8" is visible before joining and attaching module.

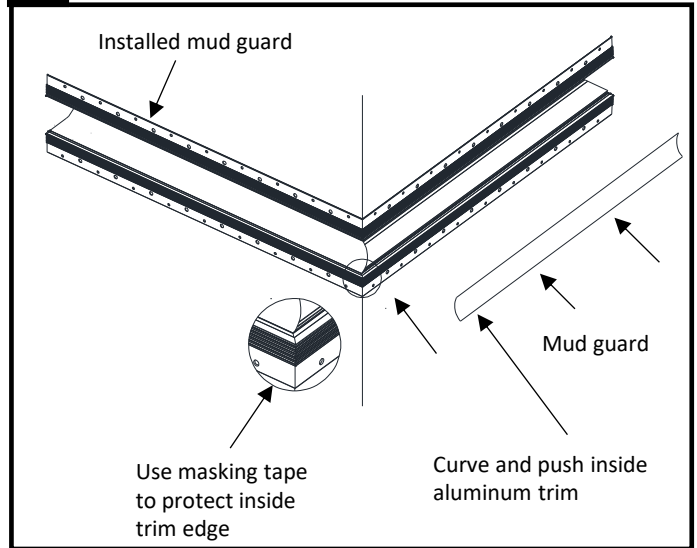
! ATTENTION: Install in accordance with local and national building and electric codes.

4 Remove Fixture Spacers (Trimless Configuration only)



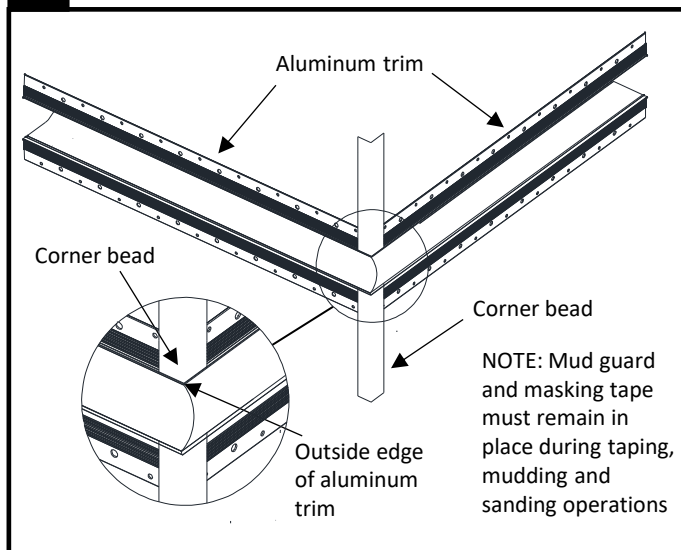
After securing fixture with drywall screws every 9 inches, remove internal spacers by rotating in direction shown by arrows.

5 Install Mud Guard/Protect Inside Edges



Install supplied mud guards inside each fixture. At corners, overlap and trim as needed to ensure tight seal. **IMPORTANT:** To prevent debris from entering fixture, apply masking tape to inside edges of fixture trim, on both sides and full length of fixture run.

6 Install Corner Bead/Drywall Tape



For best results at corners, apply corner bead over aluminum trim and to outside edge as shown. Complete taping, mudding, and sanding along fixture run length.

7. Remove Mud Guard/Masking Tape

Once ceiling and wall finishing is complete, remove all mud guards and masking tape.

8. Install Fixture Lenses

Install lenses as per supplied TruGroove drywall ceiling standalone and Continuous Run Installation Instructions.

NOTE: Due to construction tolerances, some lenses may need to be trimmed for final fit.

! ATTENTION: Install in accordance with local and national building and electric codes.

