

Installation Instructions for AtLite ATLEMINI-2H and ATLEMINI-3H Emergency lights

WARNING

Risk of Fire/Electric Shock

If not qualified, consult an electrician.

WARNING

Risk of Electric Shock

Disconnect power at fuse or circuit breaker before installing or servicing.

IMPORTANT SAFEGUARDS

WHEN USING ELECTRICAL EQUIPMENT, BASIC SAFETY PRECAUTIONS SHOULD ALWAYS BE OBSERVED INCLUDING THE FOLLOWING.

READ AND FOLLOW ALL SAFETY INSTRUCTIONS

1. Do not use outdoors.
2. Do not use in hazardous locations, or near gas or electric heaters.
3. Do not let power supply cords touch hot surfaces.
4. Use caution when servicing batteries. Battery acid can cause burns to skin and eyes. If acid is spilled on skin or in eyes, flush acid with fresh water and contact a physician immediately.
5. Do not use this equipment for other than the intended use
6. Installation is to be performed only by qualified personnel.
7. Install in accordance with National Electric Code and local regulatory agency requirements.
8. The use of unauthorized accessory equipment not recommended by the manufacturer as it may cause an unsafe condition.
9. Equipment should be mounted in locations and at heights where it will not readily be subjected to tampering by unauthorized personnel.

SAVE THESE INSTRUCTIONS

MAX MOUNTING HEIGHT: 17 ft.

INSTRUCTIONS FOR SURFACE MOUNTING

1. De-energize all power circuits that will be connected to the emergency light.
2. Open the Emergency Light unit by removing the screw at the bottom of the housing. Save this screw. (Figure 1)
3. Using the tabs at the bottom of the back plate, remove the back plate from the housing by tilting it away from the housing.

4. Identify and remove the appropriate mounting holes on the back-plate. Knock-out the center hole on the back-plate for wiring.
5. Mount the back-plate on the desired surface, passing the wires through the center hole. NOTE: If mounting the 2 Head version the conduit tab should be down. If mounting the 3 Head version, the conduit tab should be up.
6. Connect power supply and ground in accordance with local codes. Wire connections as follows: 240/277VAC line to Orange lead or 120V line to Black lead; Neutral to white lead. Ground to Green wire; Cap unused line lead. (See Figure 4)
7. Lower the housing onto the mounting tabs on the back-plate. Tilt the bottom of the housing towards the surface the unit is mounted to. The 2 head version will slightly deflect the conduit tab into the housing and then snap into place.
8. Re-insert the screw removed in step 2 to secure the housing.
9. Energize the AC supply, the indicator LED will illuminate, the emergency lights may momentarily illuminate. Allow 24 hours for the unit to charge.(Allow 48 hours if using 240VAC)
10. Adjust lamp heads to desired position.

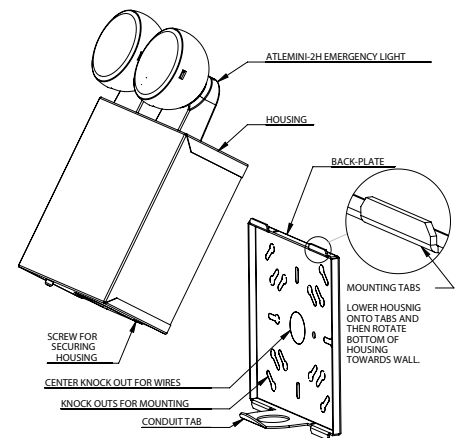


Figure 1

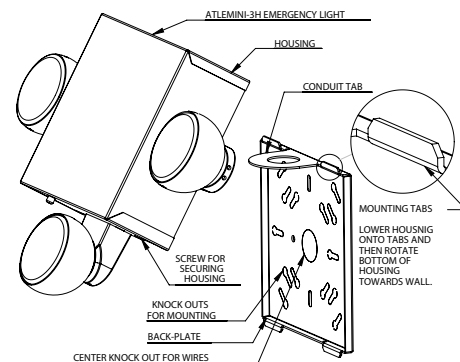


Figure 2

Installation Instructions for AtLite ATLEMINI-2H and ATLEMINI-3H Emergency lights

INSTRUCTIONS FOR CONDUIT MOUNTING

1. De-energize all power circuits that will be connected to the emergency light.
2. Open the Emergency Light unit by removing the screw at the bottom of the housing. Save this screw.
3. Using the tabs at the bottom of the back plate, remove the back plate from the housing by tilting it away from the housing.
4. Identify and remove the appropriate mounting holes on the back-plate.
5. Mount the back-plate on the desired surface. NOTE: If mounting the 2 Head version the conduit tab should be down. If mounting the 3 Head version, the conduit tab should be up.
6. Connect your conduit to the back-plate using the hole on the conduit tab.
7. Remove the conduit tab cover by wiggling it out. (See Figure 3)
8. Connect power supply and ground in accordance with local codes. Wire connections as follows: 240/277VAC line to Orange lead or 120V line to Black lead; Neutral to white lead. Ground to Green wire; Cap unused line lead. (See Figure 4)
9. Lower the housing onto the mounting tabs on the back-plate. Tilt the bottom of the housing towards the bottom of the mounting surface.

10. Re-insert the screw removed in step 2 to secure the housing.
11. Energize the AC supply, the indicator LED will illuminate, the emergency lights may momentarily illuminate. Allow 24 hours for the unit to charge. (Allow 48 hours if using 240VAC)
12. Adjust lamp heads to desired position fully charged and float charging the battery to maintain readiness.

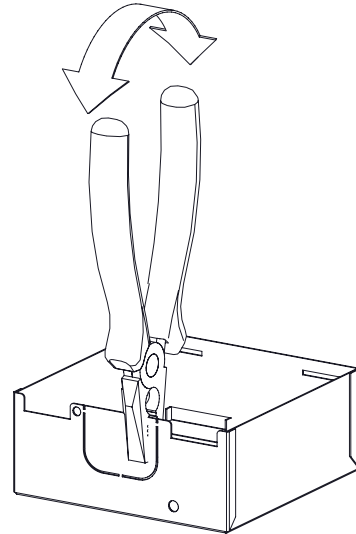


Figure 3

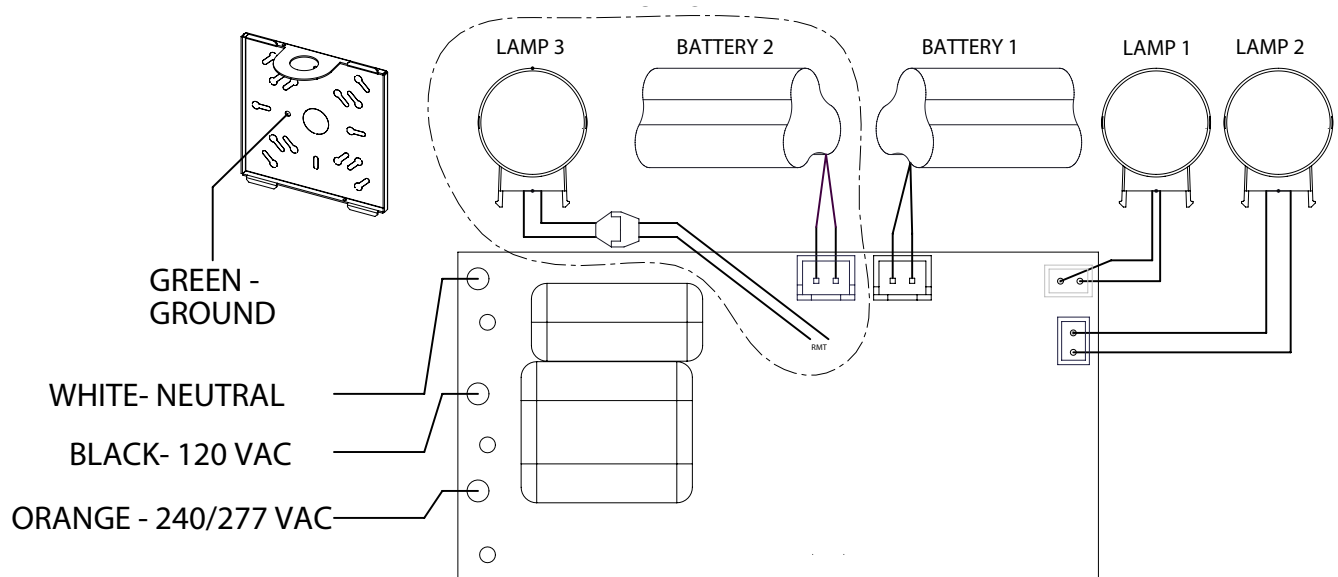


Figure 4

Installation Instructions for AtLite ATLEMINI-2H and ATLEMINI-3H Emergency lights

Maintenance

Replace the batteries as needed according to ambient conditions. However, we recommend that the equipment be tested regularly in accordance with local codes.

NOTE: Servicing of any parts should be performed by qualified personnel. Only use replacement parts supplied by Cooper Lighting Solutions.

CAUTION: This equipment is furnished with a sophisticated low voltage battery dropout circuit to protect the battery from over discharge after its useful output has been used. Allow 24 hours recharge time if connected to 120 or 277V (Allow 48 hours charge time if connected to 240V), after installation or power failure for 90 minute testing.

OPERATION: Depress the illuminated test button. The LED heads will remain lit and the test button will extinguish. The LED heads will illuminate as long as the test button is pushed. Releasing the test switch will extinguish the heads and the test button will re-illuminate.

Trouble Shooting Guide

If charge indicator LED does not illuminate, check the following:

- Check AC supply – verify that unit has 24 hour AC supply.

If Emergency Lights do not light in emergency mode but charge indicator LED is on before test:

- Unit is shorted or battery is not connected.
- Battery discharged. Permit unit to charge for 24 hours (48 hours if 240VAC) and then re-test.
- If following the above trouble shooting hints does not solve your problem, contact your local Cooper Lighting Solutions representative for assistance.

Warranties and Limitation of Liability

Please refer to www.cooperlighting.com for our terms and conditions.



Cooper Lighting Solutions
1121 Highway 74 South
Peachtree City, GA 30269
P:770-486-4800
www.cooperlighting.com

© 2020 Cooper Lighting Solutions
All Rights Reserved
Printed in USA
Impreso en los EE. UU.
Publication No. IB505070EN
November 21, 2018 10:44 AM

Cooper Lighting Solutions is a registered trademark. All trademarks are property of their respective owners.

Cooper Lighting Solutions es una marca comercial registrada. Todas las marcas comerciales son propiedad de sus respectivos propietarios.