

Project		Catalog #		Type	
Prepared by		Notes		Date	



# Greengate

## LiteKeeper LK16 & LK32

Stand-alone lighting control panel

### Product Certification



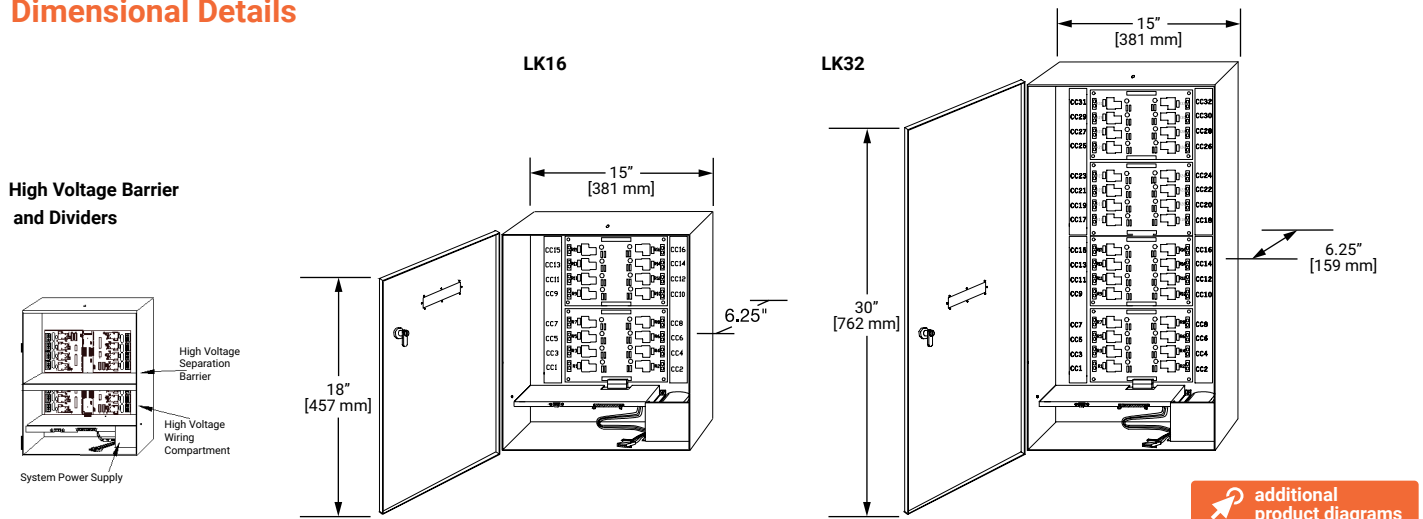
### Interactive Menu

- Order Information [page 2](#)
- Additional Resources [page 3](#)
- Wiring Diagrams [page 4](#)
- Product Warranty

### Top Product Features

- Capable of mixed load voltages (120/277/347 VAC) as well as mixed sources (i.e. normal and emergency power)
- Manual and programmable control of each relay via a simple keypad and 4 line LCD display
- Normally open, latched, and two pole parallel relays available
- Flush mount kit and voltage separation barrier available
- Capable of controlling receptacle loads

### Dimensional Details



## Order Information

SAMPLE ORDER NUMBER: **LK16-120/277-S1- L1-M0-T0-HVB1**

### Catalog Number

Product Size	Voltage	# of SRC's	# of LRC's	# of MRC's	# of TPRC's	# of High Voltage Barriers
LK16= LiteKeeper 16 LK32= LiteKeeper 32	120/277 220/230 120/347	0-2 Cards = 16 Size 0-4 Cards = 32 Size (See XRC cut sheet)	0-2 Cards = 16 Size 0-4 Cards = 32 Size (See XRC cut sheet)	0-2 Cards = 16 Size 0-4 Cards = 32 Size (See XRC cut sheet)	0-2 Cards = 16 Size 0-4 Cards = 32 Size (See XRC cut sheet)	0-1 = 16 Size 0-3 = 32 Size Factory installed in the lowest location of the panel

## Required Accessories

All LiteKeeper lighting control panels require a Logic Board (LK-LB).

The logic board is shipped separately from the enclosure and is listed as a separate line item. When ordering any of the below models, you must also order the LK-LB.

### Catalog Number

Catalog Number	Description
LK-LB	LiteKeeper Logic Board (required per enclosure)

## Optional Accessories

### Catalog Number

Catalog Number	Description
LK16 FK	LiteKeeper 16 size Flushmount Kit (option)
LK32 FK	LiteKeeper 32 size Flushmount Kit (option)

## Product Specifications

### Enclosure

- NEMA 1 surface mount, lockable

### Mechanical

#### Size:

- LK16: 18"H X 15"W X 6.25"D (up to 16 relays)
- LK32: 30"H X 15"W X 6.25"D (up to 32 relays)

#### Environment:

- Operating temperature:** 32°F to 122°F (0°C to 50°C)

### Transformer Ratings

#### Input Requirements:

- Multi-tapped 120/277 VAC internally fused standard
- Optional 347 VAC internally fused

### Master Override

- ON/AUTO/OFF

### Programming

- Onboard keypad and LCD display
- Optional PC Software

### Standard Relay Ratings

- 20A, 120/277VAC per relay
- 10A, 120/277VAC electronic ballast, (LED)
- Normally open
- Max wire size: 10 AWG
- Mechanical operations: 10 million

### Latching Relay Ratings

- 20A, 120/277VAC electronic ballast (LED)
- 15A, 347 VAC
- Maximum wire size: 6 AWG
- Mechanical operations: 10 million
- Provides a system SCCR rating of 10,000A

### Two Pole Relay Ratings

- 20A, 208/240/480 VAC
- Normally open
- Maximum wire size: 6 AWG
- Mechanical operations: 10 million

### Standards/Ratings

- UL 916 Listed
- UL 924 with RIM

### Warranty

Five year warranty standard

## Overview

The LiteKeeper stand-alone lighting control panel is an all-inclusive premium grade system for applications that would traditionally use a timeclock in conjunction with contactors. Control up to 32 relays per panel. Several relay options and more standard features than any other stand-alone panel on the market combine to create a state of the art stand-alone lighting control system.

### System Includes:

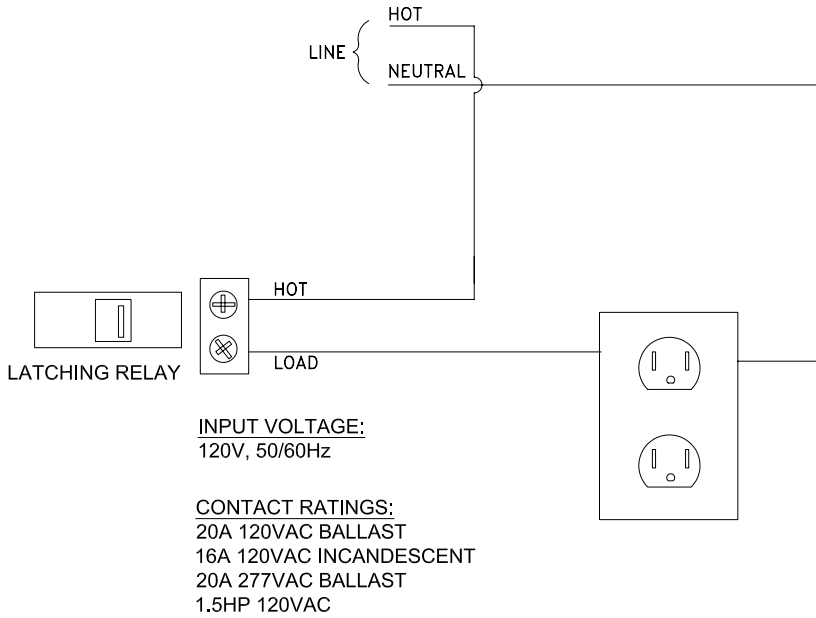
- UL listed – UL 916 standard
- NEMA 1 enclosure
- 32 low voltage input connections
- Digital Switch Interface
- Time schedules with astronomic clock
- Prioritization and masking of switch inputs, time schedules and remotes
- Timed inputs
- Occupant warn-off and overrides
- Keypad and 4 line LCD display
- RS-232 port standard
- UL Listed - UL 924 with RIM
- Controls receptacle loads with latching relay card

### Accessories:

- Keeper Enterprise Software
- Ethernet Interface Module
- Greengate Digital Switch (GDS)
- Dry Contact Switches
- Contact Input Photosensor
- Occupancy Sensor
- Voltage Separation Barrier
- Flush Mount Kit
- CEPC (UL 924 Accessory)
- RRU

## Wiring Diagrams

### Latching Relay Receptacle Control



### Sample One-Line

