

Project		Catalog #		Type	
Prepared by		Notes		Date	



Metalux

14RTC

1x4 Center Basket Troffer

Typical Applications

- Commercial Office Spaces • Schools • Healthcare • Retail Merchandising Areas

Interactive Menu

- Photometric Data page 2
- Product Warranty

Product Certification



Product Features

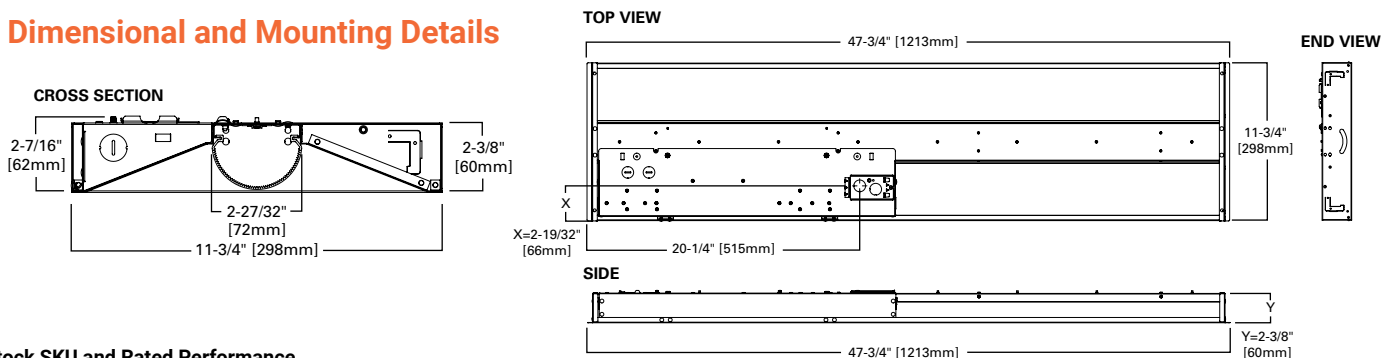


Top Product Features

- Shallow plenum - under 2.5" deep RTC fits the most challenging spaces
- Standard and high lumen models up to 7000 lumens
- Up to 133 lumens per watt delivering up to 56% energy savings
- Stock SKU available in 3500K and 4000K
- UNV driver and 0-10V dimming standard

**Discontinued -
While supplies last**

Dimensional and Mounting Details



Stock SKU and Rated Performance

Catalog Number	UPC	CRI (Min)	CCT	Delivered Nominal Lumens	Watts *	Efficacy (lm/W)	Input current (A)	
							120V	277V
14RTC3435	080083802562	80	3500K	3571	28.2	127	0.25	0.11
14RTC3440	080083802579	80	4000K	3643	27.7	131		

* Watts of standard 0-10V product.

Product Specifications

Construction

- 2-1/2" housing constructed of die-formed, code gauge cold rolled steel
- Full length die-formed stiffeners and unibody endplate for added strength
- Four auxiliary fixture end suspension points provided
- Wireway cover removable without tools
- Endplates provided with Grid-Lock feature for safety

LED and Light Engine

- LED's available in 3500K or 4000K at 80 CRI minimum
- TM21 life at 60,000 hours up to L75
- Drivers available in 120-277V
- 0-10V dimming to 10% standard

Finish

- Multistage, iron phosphate pretreatment
- 90% reflective, matte white enamel finish
- Full fixture housing painted after fabrication

Compliance

- IC rated for insulation contact
- cULus listed for damp locations
- RoHS compliant
- Tested to IESNA LM-79 and LM-80
- Stated life tested to TM21 standards
- Can be used for State of California Title 24 high efficacy luminaire
- NEMA 410 compliant

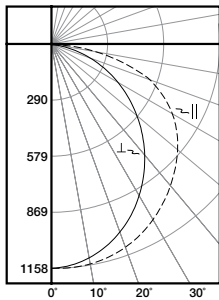
Warranty

- Five-year warranty standard.

Photometric Data



[View IES files](#)



14RTC3435

Electronic Driver
 Linear LED 3500K
 Spacing criterion: (H) 1.32 x mounting height,
 (L) 1.2 x mounting height
 Lumens: 3571.1
 Input Watts: 28.2W
 Efficacy: 126.5 lm/W
 Test Report: 14RTC3435.IES

**Discontinued -
While supplies last**

Energy and Performance Data

CCT Table

Approximate Color Temperature Multiplier	
3500K	1.0
4000K	1.02

Load Data

Thd	11%
Power Factor	0.96
Weight	7.8 lbs.
Low Temp Start	-20°C

Shipping Data

Size	Wt.	Pallet (30"x 53")
1x4	10.4 lbs.	13