

DESCRIPTION

Lampholder utilizes 12V MR16 lamps and provides a very white crisp light. Lampholders are available in Satin White or Matte Black finishes. Lazer lampholders are compatible with all Halo Power-Trac systems except 4-Circuit Trac.

Catalog #	Type
Project	
Comments	
Prepared by	Date

SPECIFICATION FEATURES

A...Electrical Quick Lock Adapter/Transformer

Lexan polycarbonate casing. Attaches electrically and mechanically anywhere along the track. Visual polarity line assures proper grounding. Two position conductor allows use in single circuit and either circuit of two circuit track. All solid-state components lower 120V line voltage down to lamp operating voltage

B...Arm

Matching finish single arm allows lampholder to rotate 338° and adjust vertically from 0° to 90°.

C...Socket Housing

Die cast aluminum socket housing has vent slots designed to keep fixed lamp socket cool. Cover glass retention springs hold 2 5/16" cover glass (included) Securely (will not accept filters or lenses).

D...Perforated Bell

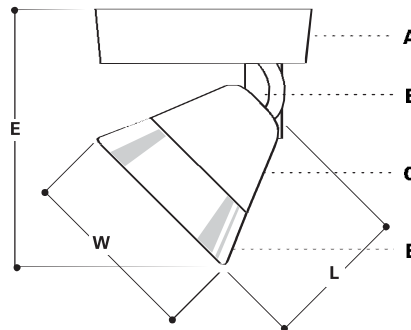
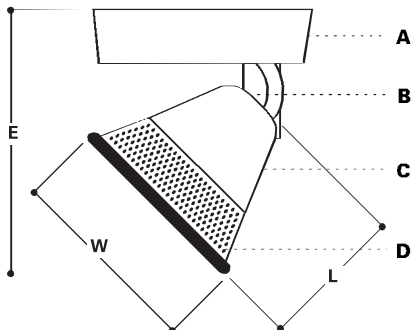
Perforated bell (LZR402) with black rubber finishing ring.

E...Glass Bell

Frosted glass bell (LZR403) provides a soft diffused glow.

Listings

UL/CSA listed for use with Halo and Lazer-by-Halo track and track systems



LZR402



LZR403

**LINE VOLTAGE
BELL STYLE
LAMP HOLDERS**

Lazer by Halo

ORDERING INFORMATION

SAMPLE NUMBER: LZR402P

Lampholders

LZR402=Perforated Bell
LZR403=Glass Bell

Finishes

P=Satin White
MB=Satin Black



LZR330

For use with:
50W Max. 12V MR16
W=3 3/4" [95mm]
L =3" [76mm]
E =6" [152mm]



LZR338

For use with:
50W Max. 12V MR16
W=3 3/4" [95mm]
L =3" [76mm]
E =6" [152mm]

ENERGY DATA

Power Factor: >.90
Input Watts: <50
Input Amps: .45 Max.
THD: <30%

ADV990375

9/04

TAB: Lazer Lampholders and Track
Sheet 10

Note: Specifications and Dimensions subject to change without notice.

Visit our web site at www.cooperlighting.com