

DESCRIPTION

Scoop wall wash trim with baffle. Wall wash reflector, baffle and scoop rotate 360° within housing for easy adjustment. Relamping can be accomplished without removing the trim or scoop.

Catalog #		Type
Project		
Comments		Date
Prepared by		

DESIGN FEATURES

Torsion springs pull trim tight to ceiling. Straight sided trim ring coordinates with die cast Halo 3" and 4" trims.

LAMP LISTINGS

H5T H5RT	50W TB19, 60W A19, 60W BT15, 60W MB19
H570ICAT H570RICAT	13W DTT, 13W TTT compact fluorescent lamps
H571ICAT H571RICAT	18W DTT, 18W TTT compact fluorescent lamps
H572ICAT H572RICAT	26W TTT compact fluorescent lamps

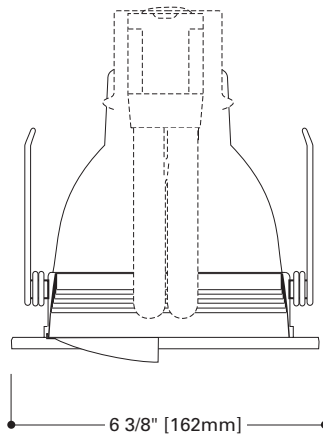
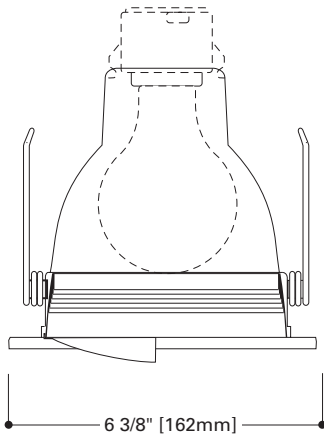


5030P
White with Black Baffle



5030W
White with White Baffle

5030
5" Wall Wash



H5T-5030W	2' Distance From Wall
Lamp: 60W A19 IF	870 Lumens
Spacing Between Fixtures	
DD	2' 3' 4'
1	10 9 10 8 5 8 7 3 7
2	11 10 11 8 6 8 7 4 7
3	10 10 10 7 7 7 6 4 6
4	7 7 7 5 5 5 4 4 4
5	5 5 5 4 4 4 3 3 3
6	3 3 3 3 3 3 2 2 2
7	2 2 2 2 2 2 2 2 2
8	2 2 2 1 1 1 1 1 1
9	1 1 1 1 1 1 1 1 1
10	1 1 1 1 1 1 1 1 1

DD= Distance Below Ceiling

Trim	Finish	Accessory
<input type="text"/>	<input type="text"/>	<input type="text"/>
5030=5" Wall Wash trim	P=White Trim Ring, White Scoop, Black Baffle W=White Trim Ring, White Scoop, White Baffle	OT500P=5" Oversize Trim Ring - White

Note: Specifications and Dimensions subject to change without notice.

Visit our web site at www.cooperlighting.com